

ARGON 18



VALID FOR MY2022 VERSION I / 2023-01-19-ARTWORK 35/A

ELECTION

TABLE OF CONTENTS

1. Tools Needed & Spare Parts Kit	3
2. Troubleshooting / Tips & Specifications	3
3. Frameset Inspection	4
4. Frameset Skus & Descriptions	5
5. SeatPost Installation	6
6. Rear Drop-Out Assembly	7
7. 3D Headset Installation	8
8. Fork Installation	9
9. Brake Installation	10

To maintain the validity of the warranty, the bicycle must be fully assembled by an authorized Argon 18 dealer. High-end components, particularly carbon parts, require extra care during assembly.

These components must be installed using a torque wrench to ensure each bolt is at the specified torque setting to prevent damage.



MY ELECTRON

Date of Purchase: _____

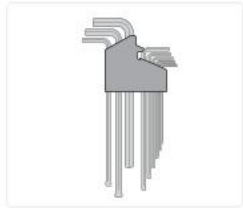
Retailer: _____

Size: _____

Serial Number: _____

1. TOOLS NEEDED & SPARE PARTS KIT

1. Allen Key Set



2. Headset press



3. Torque wrench



4. Clean rag



5. Carbon Paste & Grease



6. Thread Locker
Medium strength



7. Cables and
Housing cutter



8. Flush Cut Plier



SPARE PARTS KIT



IMPORTANT:

Spare Parts Kit: Essential parts to always have on hand IN CASE OF EMERGENCY... THIS MIGHT SAVE YOUR RIDE!

Seat Post Clamp



80411

2. TROUBLESHOOTING / TIPS & SPECIFICATIONS

Tire Clearance

700c

Maximum clearance: 700x28c. Tires must be no wider than 30mm for both front and rear wheels.

Chainstay length will vary from 375mm to 400mm depending on tire size.

Rim Clearance

Maximum rim width: 28mm

Seat Post

Ø 27.2mm

Bottom Bracket

BSA 68mm

Headset

A18 3D Press-Fit

Bottom Bearing: MR122 - 1 1/8", 36° x 45°

Top Bearing: MR122 - 1 1/8", 36° x 45°

Chainring

The Electron can run up to a 65T chainring with a 42.5mm chainline.

Clearance based on Shimano Dura-Ace FC-7710 and BB-7710 track crankset.

Seat Post Collar

Ø 31.8mm

Brakes

Front brake - Rim brake front caliper

Rear brake - Rim brake caliper, validate brake pivot length, recessed nut won't fit in the bridge, a concave washer must be used.

Please contact customer service at info@argon18.com for any further inquiries.

3. FRAMESET INSPECTION

Before assembling your new Electron, please verify that you have all the following:

1. Frameset parts checklist (see p.5)
2. Inspect the frame for cosmetic defects (scratches, bumps, cracks, paint defects, etc.)
3. For reference, record serial number on p.2
4. All the necessary bolts (refer to frameset parts, p.5)



Some of the following parts are already assembled on the frame. When assembling the bike, you will need to adjust these parts according to their torque specifications and fastener conditions when necessary.

No.	A18 SKU#	Function	Description	Screw Type	Torque	Detail	Qty
1	100284*	Dropout Plate Screw	M3 x 8mm	Flat Head	2 Nm	Loctite	4
2	80411*	Seatpost Collar Screw	M5 x 22mm Screw	Socket Head	4 Nm	Grease	1

* Included with



5.5Nm — Torque Value
4 — Allen key size



Apply **carbon paste** on the indicated surfaces.



Apply **threadlocker** on the indicated surfaces.



Apply **grease** on the indicated surfaces.



IMPORTANT:

Indicates special precautions and important steps that must be taken to avoid damage and/or injury.

4. FRAMESET SKUS AND DESCRIPTIONS



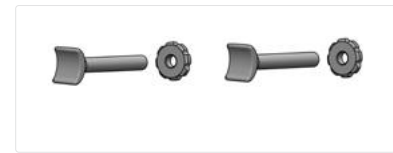
Electron Frame
*Not available as a separate SKU



FK.ELEC.351A



100284



100285

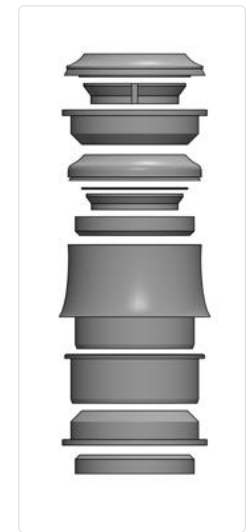
Available Separately



80411



80391

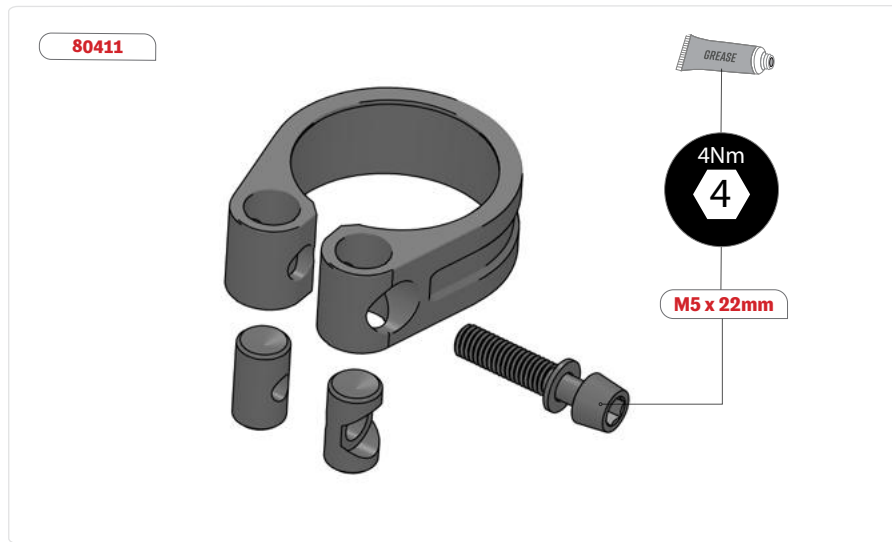


100381

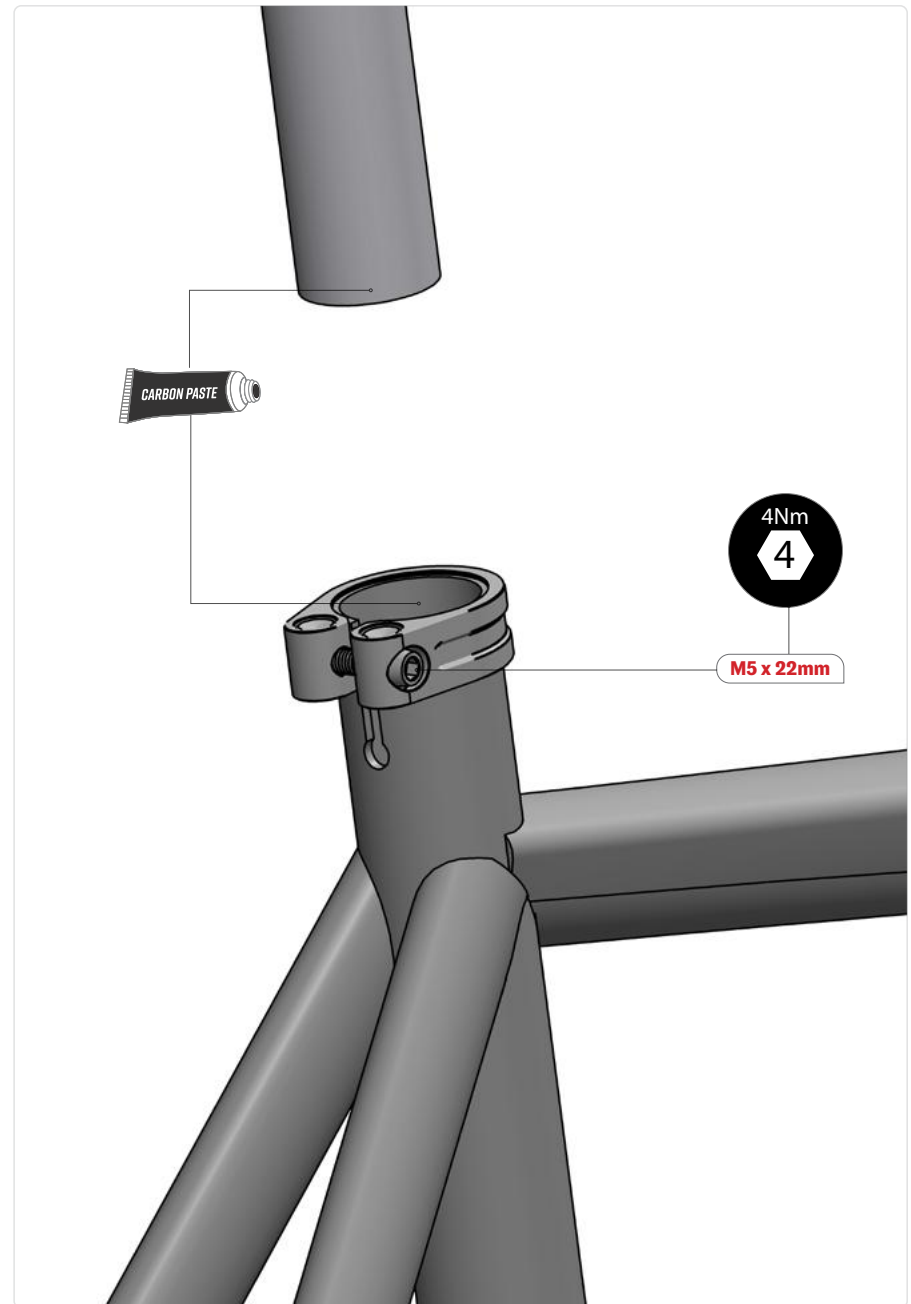
NO.	NAME	AIB SKU#	QTY
1	Electron Frame	-	1
2	Electron Fork	FK.ELEC.351A	1
3	Electron 2022 Dropout Plate Assembly (2 Sides)	100284	1
4	Electron 2022 Dropout Tension Screw Assembly (2 Sides)	100285	1
5	Seatpost Collar	80411	1
6	Headset No.37E-D	100381	1
OPTIONAL PARTS THAT CAN BE ORDERED SEPARATELY			
-	15mm 3D Headset Spacer For No 37	80391	1

Except for the frame itself, which is not sold separately as a spare part, all parts can be ordered by referring to their respective SKU number.

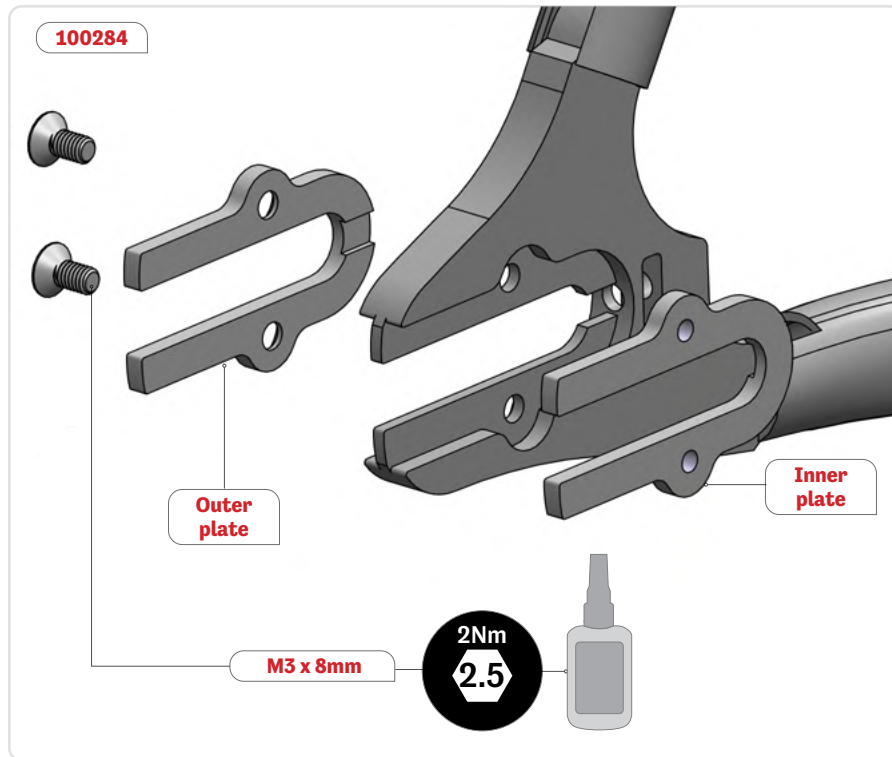
5. SEATPOST INSTALLATION



1. Apply grease on the thread of the M5 x 22mm socket head screw.
2. Assemble the seat post collar (80411) as shown.
3. Adjust the seatpost at the desired height.
4. Tighten the M5 x 22mm socket head screw on the seatpost clamp to 4Nm.



6. REAR DROPOUT ASSEMBLY

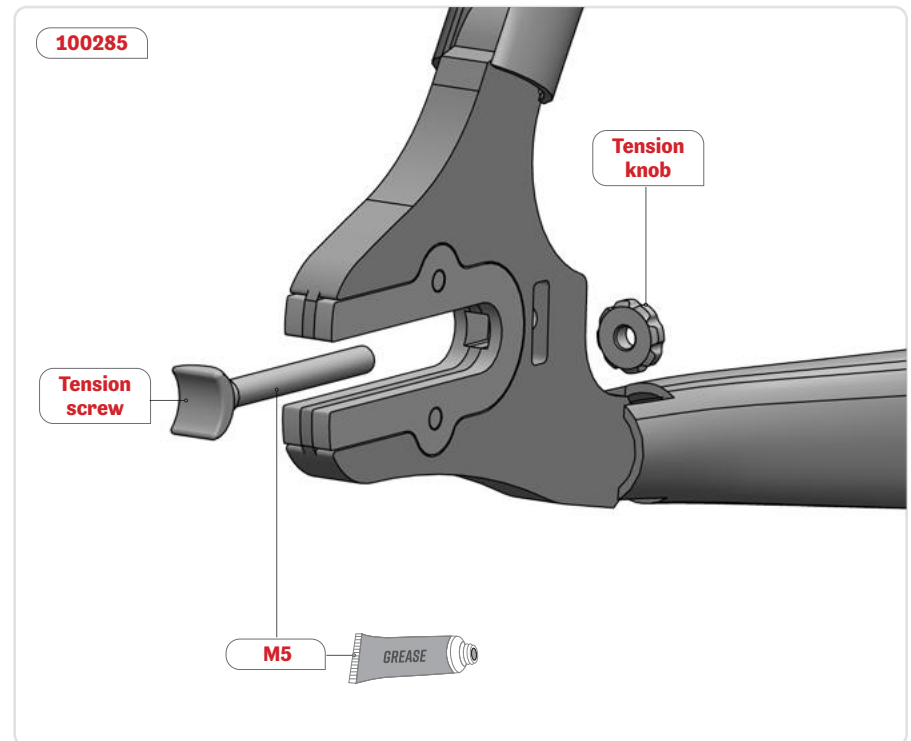


Assembling the rear dropout tension screw:

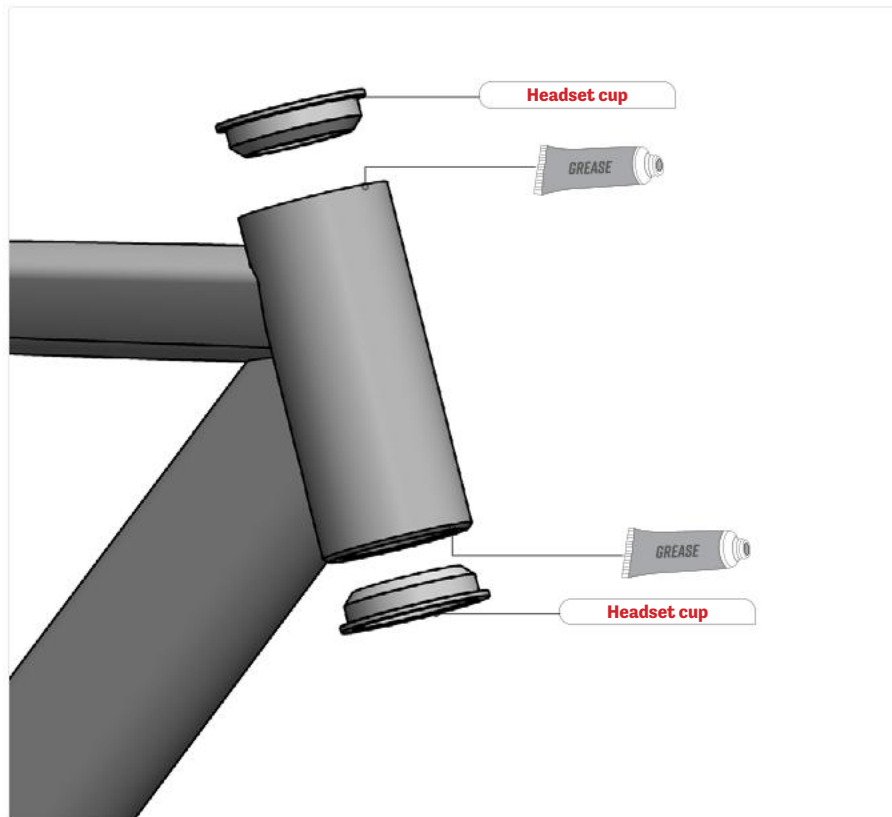
1. Apply grease on the thread of the dropout tension screw.
2. Position the tension knob in the dropout opening.
3. Place the tension screw in the dropout and turn clockwise to screw the tension knob on the tension screw.
4. Repeat step for other side dropout.
5. Turning the tension knob clockwise will remove tension on the chain, while turning counter clockwise will add tension on the chain.

Assembling the rear dropout plate:

1. Assemble the rear drop-out plate (100284) on the frame, the threaded plate goes on the inside.
2. Apply a drop of blue Threadlocker (n. 242) on the M3x8mm screw threads and tighten to 2Nm.
3. Repeat step for other side dropout.



7. 3D HEADSET INSTALLATION

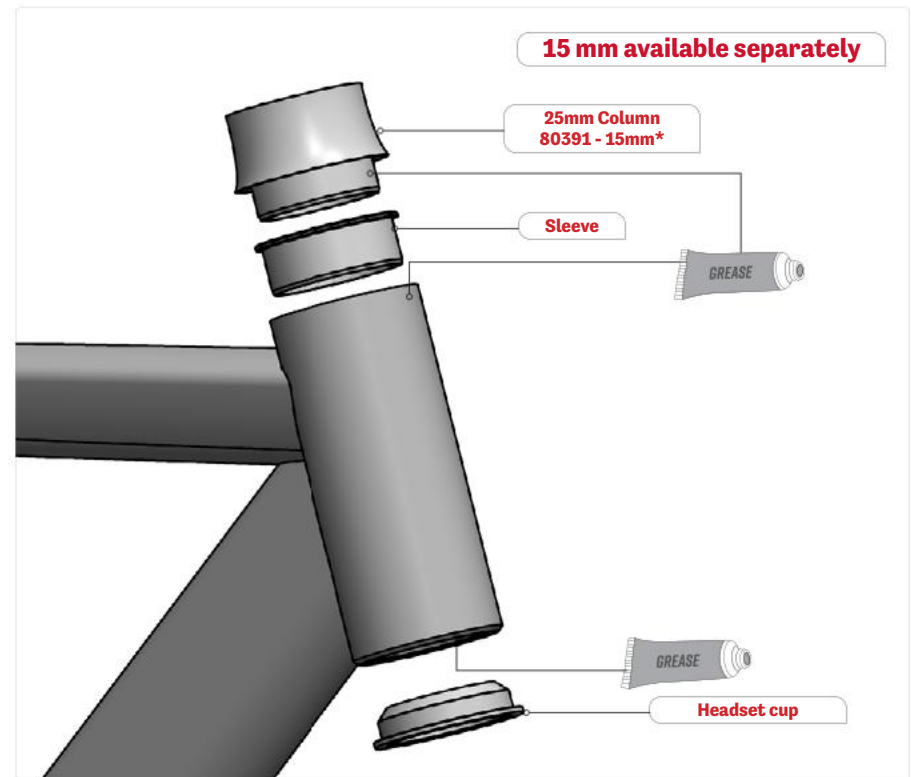


Assembling the 3D headset (+15 / +25mm)

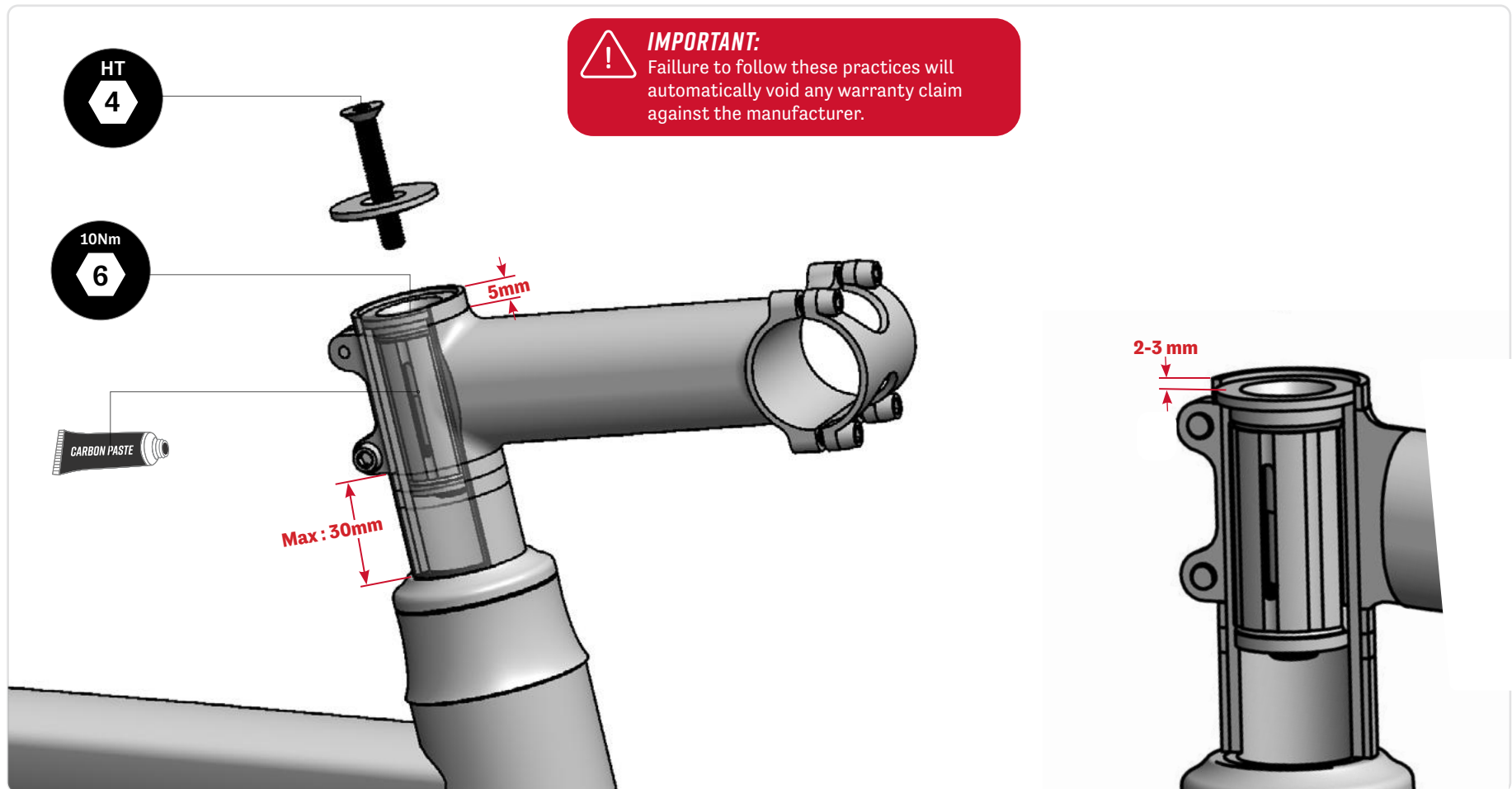
1. Apply grease to the inside of the headtube.
2. Insert the plastic sleeve into the headtube.
3. Apply grease on the plastic sleeve.
4. Position the 3D column (included or 80391) perfectly straight on the headtube opening.
5. Slowly press the cups into the frame using a **headset press + adaptor** until it sits flush with the frame.

Assembling the 3D headset (0mm)

1. Apply grease to the inside of the headtube.
2. Slowly press the cups into the frame using a **headset press + adaptor** until it sits flush with the frame.



8. STEM INSTALLATION



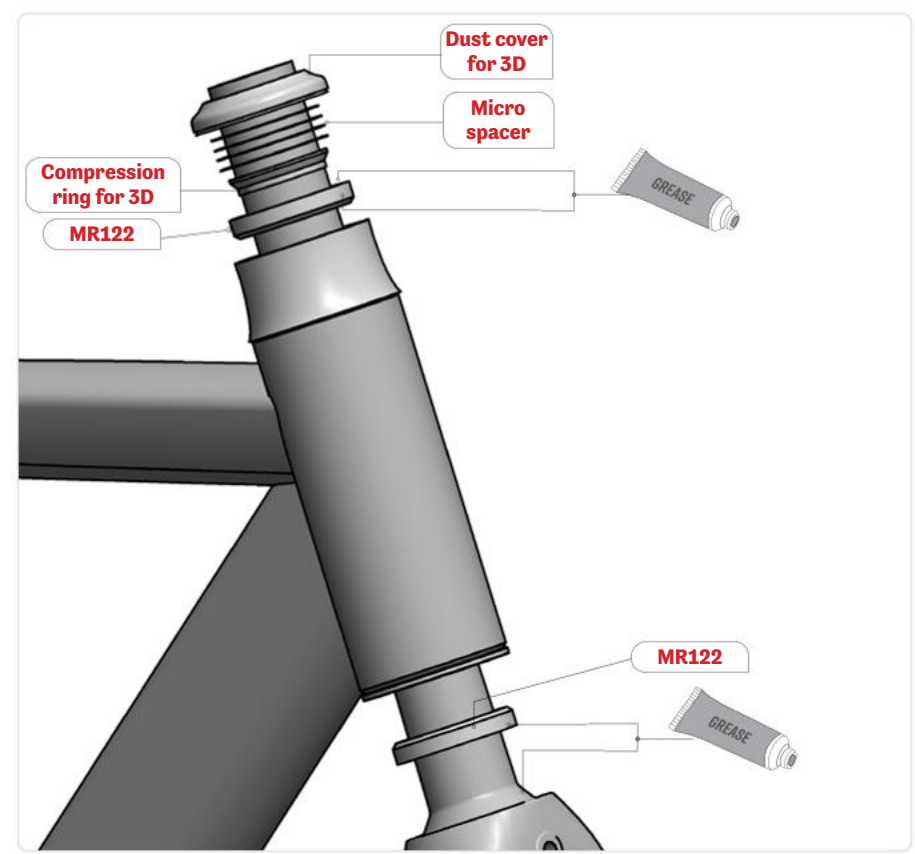
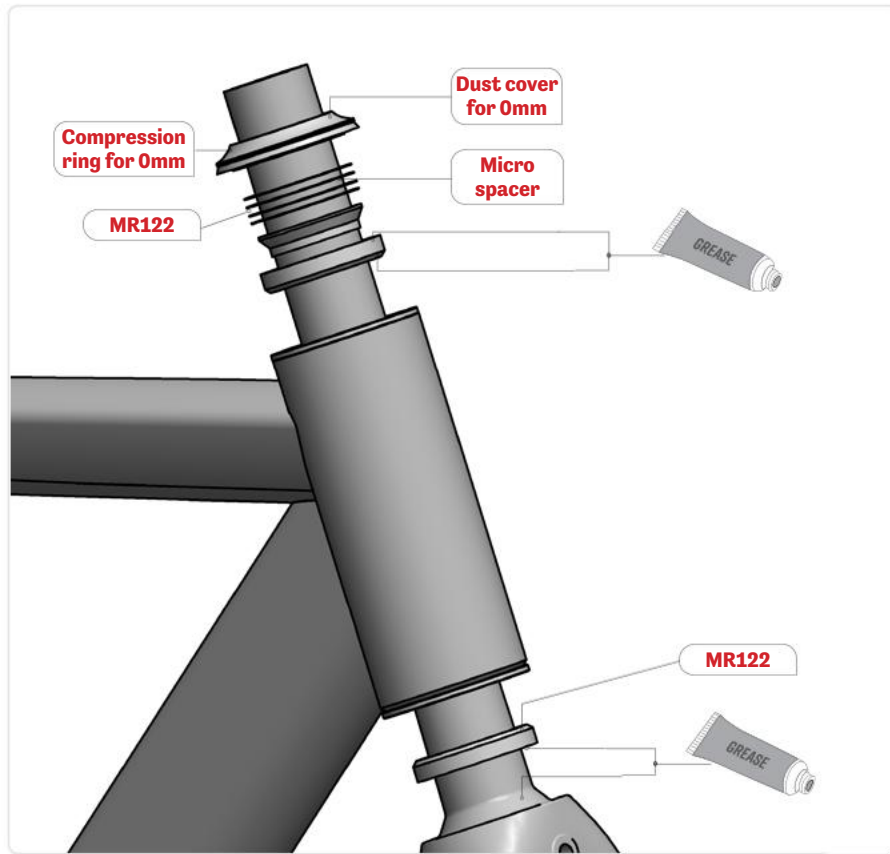
Important:

- No more than 30mm of spacers can be placed between the stem and the top cap of the Headset.
- It is critical to assemble the headset expander plug at the same height as the stem's steerer clamp.

Installing the stem:

1. Cut the steerer so a 5mm spacer can be used on top of the stem. This will ensure the stem clamping area is fully supported by the carbon steerer.
2. Apply carbon paste between compression plug and steerer. Tighten expander plug to 10Nm.
3. Tighten the compression screw until there's no play in the headset bearing. Make sure there's 2 to 3 mm of gap to allow headset adjustment.
4. Align the stem and torque the bolts to the manufacturer recommended torque.

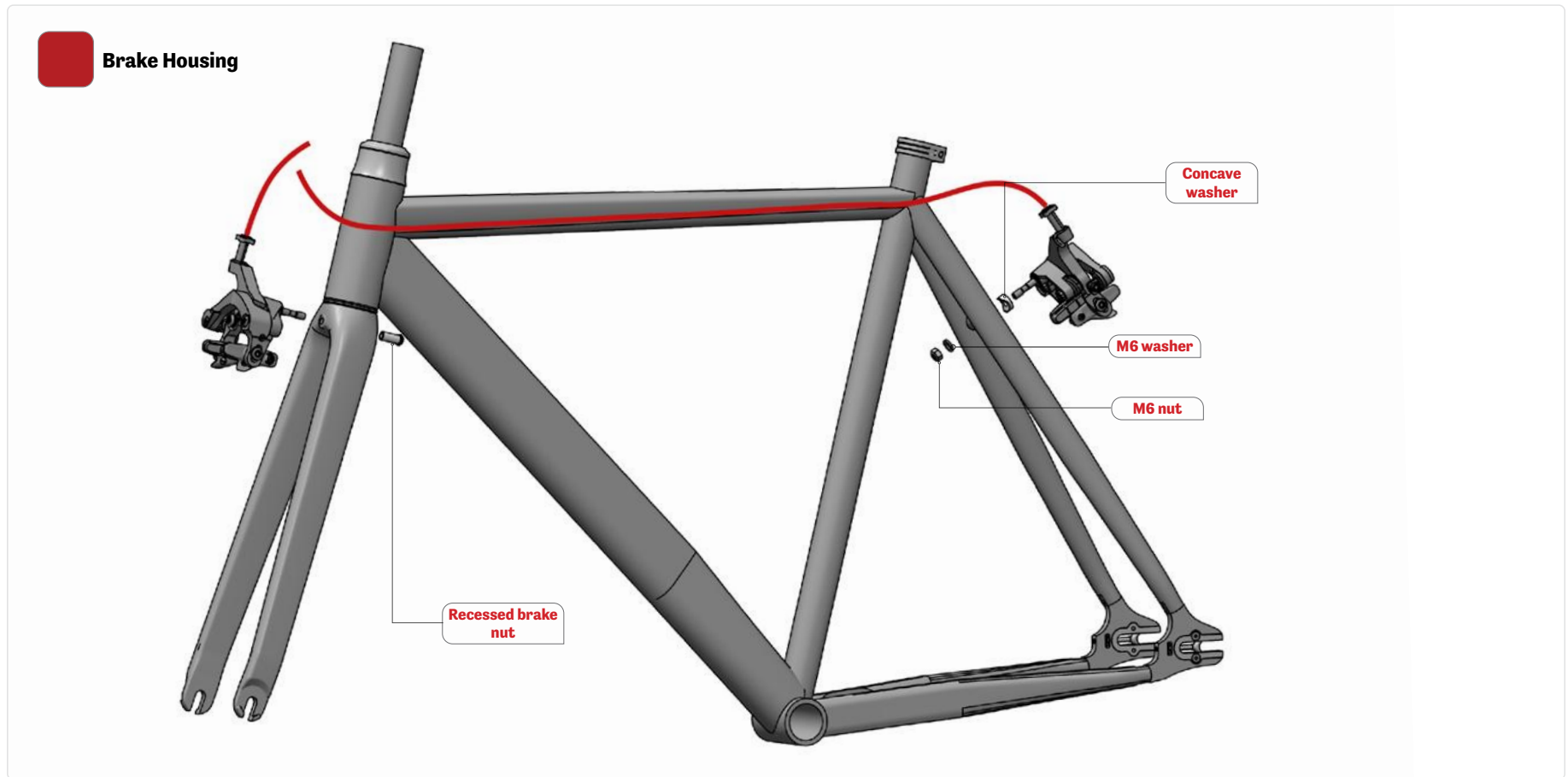
9. FORK INSTALLATION



1. Apply grease onto all surfaces where the bearing sits (frame & fork)
2. Insert the bottom bearing (MR122) on the fork steerer.
3. Slide the fork steerer into the frame headtube.
4. Insert the top bearing (MR122) onto the steerer and into the frame.
5. Insert the compression ring for the chosen configuration, gold for 0mm and silver for 3D system.
6. Insert the dust cover for the desired configuration, the wider one is for the 0mm configuration.
7. If needed adjust the height of the dust cover with the right amount of micro spacer, the headset must turn freely and the dust cover must be as close as possible from the headset cup.



10. BRAKE INSTALLATION



Assembling the front brake

1. Install the front brake with a recessed nut, follow brake manufacturer instruction for the nut length.

Assembling the rear brake

A rear brake can be mounted, however, there's no cable guide on the frame. Also, make sure the brake pivot screw is long enough to fix the brake on the frame.

1. Use a concave washer between the brake and the frame.
2. Fix the rear brake with a M6 nut and washer, the frame will not accept a recessed nut.
3. Fix the brake housing on the frame using ti-wrap or stick-on cable guide.