





- 1. Tools Needed and First Aid Kit3
- 2. Specifications4
- 3. Configurations5
- 4. Geometry.....7
- 5. Frameset Inspection8
 - 5.1. Frameset Parts9
- 6. Seat Post Collar Assembly..... 10
- 7. Seat Post Head Assembly..... 11
- 8. Rear Dropouts 13
- 9. Fork and Steerer/Aerobar Setup..... 14
 - 9.1. Steerer Module Setup Instructions 17
 - 9.2. Aerobar Setup Instructions..... 19
 - 9.3. Extension Bar Setup..... 20
 - 9.4. Optional Bridge 22
 - 9.5. Armrest Positioning Options 23
 - 9.6. Extension Bars..... 24
- 10. Parts' SKUs and Descriptions25
 - 10.1. Frameset 26
- 11. Min/Max Seat Post insertation 28

My Electron Pro

Date of purchase: _____

Retailer: _____

Size: _____

Serial Number: _____

For the warranty to be valid, the bicycle must be fully assembled by an authorized Argon 18 dealer. High-end components, particularly carbon parts, need extra care when assembled. These components must be installed using a calibrated torque wrench to make sure every bolt is at the right torque setting to prevent damage.



Tools needed for assembly

1. Allen Key Set
2. 8mm Wrench
3. Grease
4. Loctite #242 or #243
5. Clean Rags
6. Carbon Paste
7. Torque Wrench and Hex bits
8. Extension for Hex Bit or Extended 5mm Hex Bit

First Aid Kit: Essential parts to always have on hand
IN CASE OF EMERGENCY...THIS MIGHT SAVE YOUR RIDE!

1. Seat Post Clamp (SKU: 80576 and 80577)



SKU: 80577



SKU: 80576



Wheels

- Rear: Track 120mm; 10mm axle
- Front: Track 100mm; 10mm axle

Tire Clearance

- Frame/Fork design according to ETRTO 22-622 standard (European Tire and Rim Technical Organization)
- Possible fit of 23mm tires depending on rim and tire manufacturer. Check and test before riding.

Other

- Bottom bracket compatibility: BSA 68mm
- Union Cycliste Internationale (UCI) compliant
- Aero bar width: 36cm
- Max chainring: 65T



The Electron Pro can be assembled in either Pursuit (Aerobar) or Sprint/Track (standard drops) configuration. Refer to sections 9.1 and 9.2 for instructions (pp.17-19).







Electron Pro (with pursuit bar) – Stack and Reach**

Size	Stack Min	Stack Max	Reach Min	Reach Max	Extension Spacing	Pad Spacing
XS	496.0	596.0	451.0	496.0	120 or 150	120 to 150
S	534.7	634.7	466.6	511.6	120 or 150	120 to 150
M	549.3	649.3	478.6	523.6	120 or 150	120 to 150
L	563.8	663.8	493.6	538.6	120 or 150	120 to 150

** Stack and reach measured to center of pad and includes 2mm pad thickness.

Electron Pro (with track/sprint handlebar)

Size	Seat tube length	Top tube length	Seat tube angle	Head tube angle	Chain stay length	Front-center	Wheelbase	Bottom bracket drop	Rake	Fork length	Trail	Standover	Head tube length	Stack	Reach
XS	423.0	515.0	76.0	72.7	375.0	575.2	947.2	37.0	43.0	365.5	59.9	711.0	83.0	451.0	400.0
S	517.0	540.2	76.0	72.7	375.0	599.7	969.2	50.0	43.0	365.5	59.9	783.0	110.0	489.7	415.6
M	529.0	555.8	76.0	72.7	375.0	615.0	983.5	55.0	43.0	365.5	59.9	798.0	120.0	504.3	427.6
L	542.0	574.5	76.0	72.5	375.0	633.4	1000.7	60.0	43.0	369.5	59.9	812.0	130.0	518.8	442.6

*Measurements in mm or degrees.



BEFORE ASSEMBLING YOUR NEW ELECTRON PRO, MAKE SURE THAT YOU HAVE ALL THE FOLLOWING:

1. Frameset parts checklist (see p.10)
2. All the necessary bolts (refer to Frameset Parts, p.9)

WHEN ASSEMBLING YOUR NEW ELECTRON PRO, MAKE SURE YOU FOLLOW THIS PROCEDURE:

3. Inspect the frame for cosmetic aspect (scratches, bumps, cracks, paint defect, etc.)
4. For reference, check serial number and write it on p.2

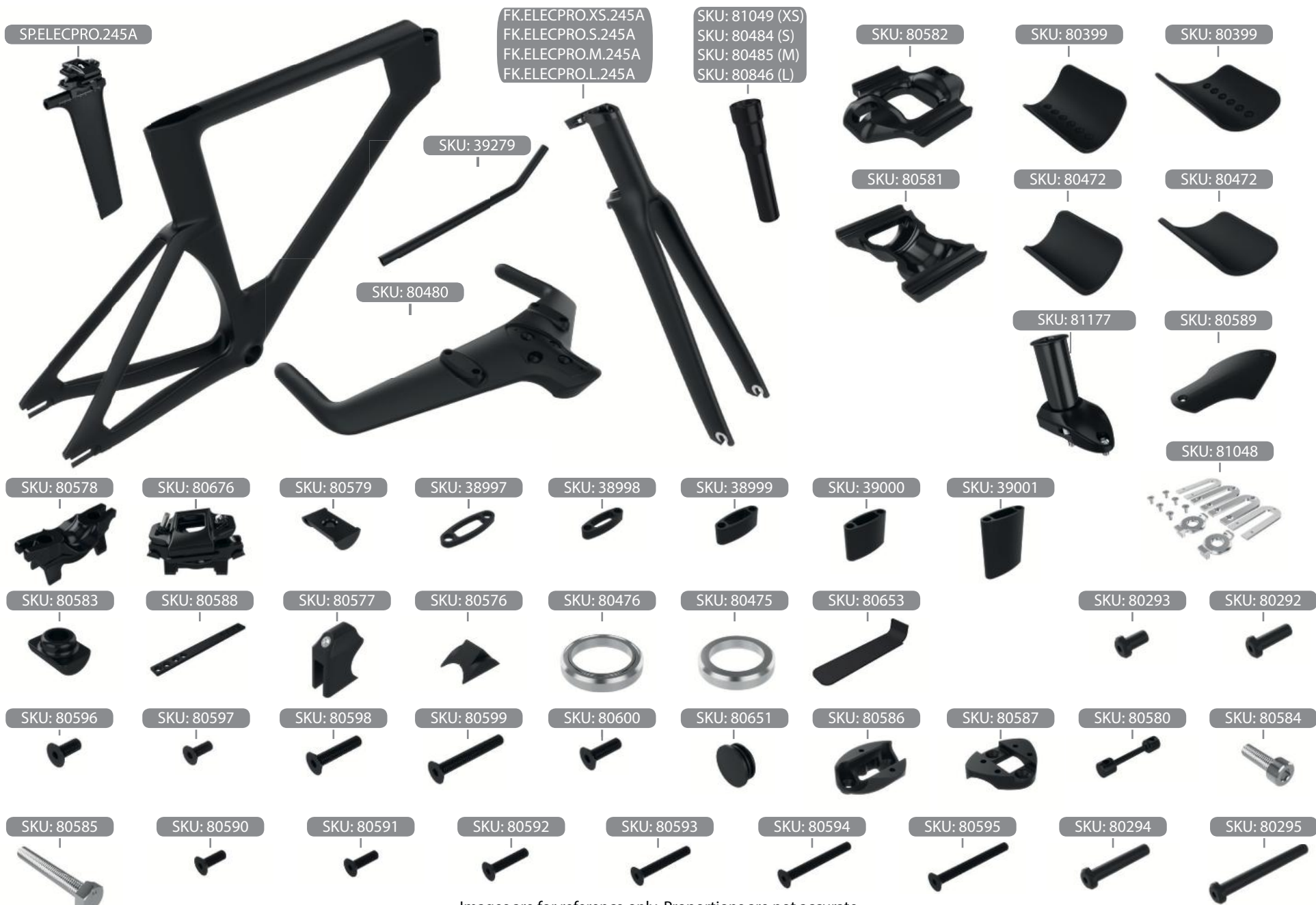
IMPORTANT:

The following parts are assembled on the frame. When assembling the bike, you will need to adjust these parts according to their torque specifications.

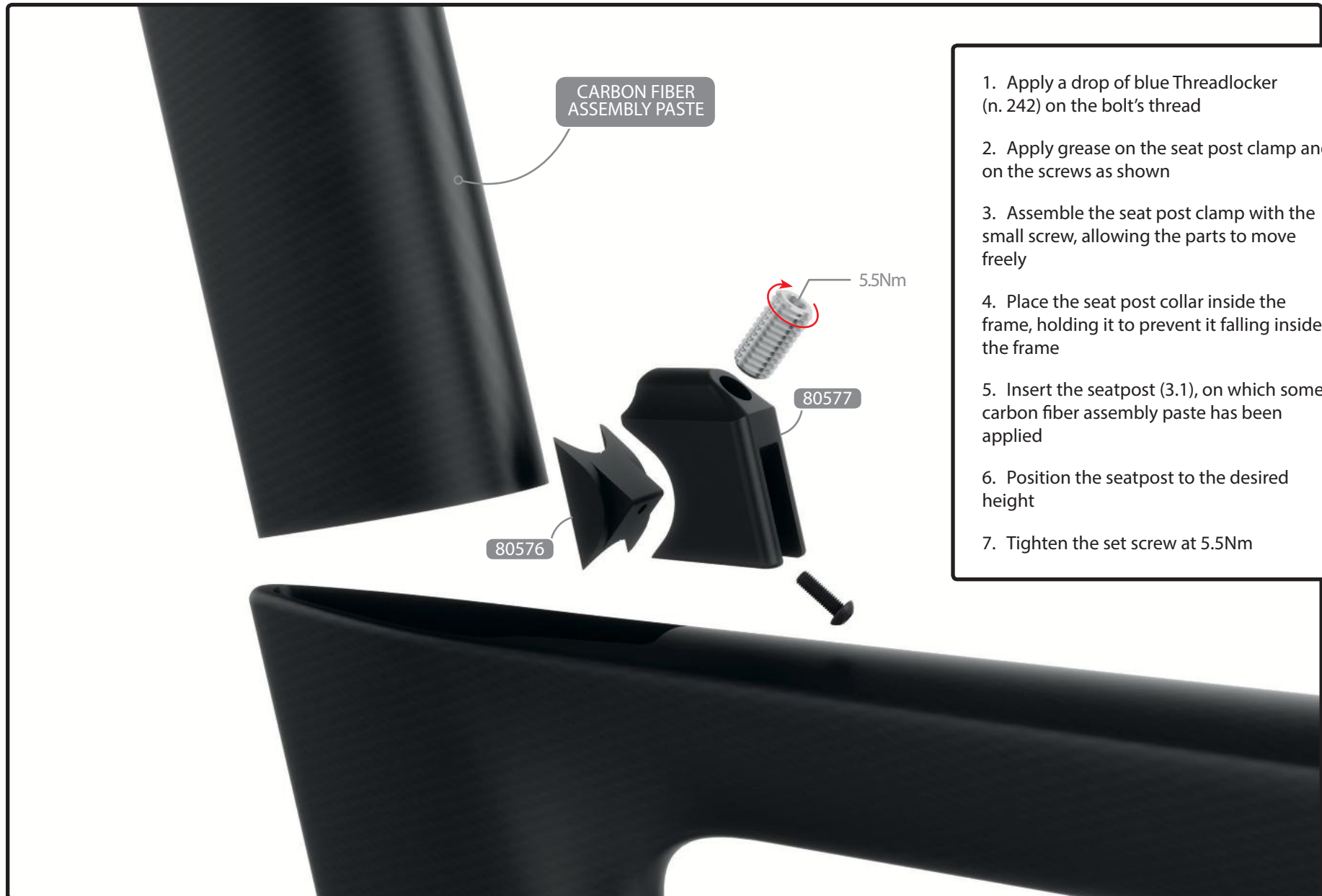
	Parts installed on frame	Description	SKU	Hex Key	Torque	Detail
1	Rear dropout inserts	6x FHCS_M4x8	Included in 81048	2.5mm	1.5Nm	Loctite 242
2	Seat post clamp	1x SHSS_M8x16	Included in 80577	4mm	5.5Nm	Grease
3	Seat post head chariot	2x SHCS_M5x16	80584	4mm	6Nm	Grease
4	Fork steerer	1x SHCS_M5x12	N/A	4mm	5.5Nm	Grease
5	Steerer module	1x SHCS_M6x45	Included in 81177	5mm	9Nm	Grease
6		2x SHCS_M6x14		4mm	6Nm	Grease
7		1x BHCS_M6x12				
Aerobar assembly						
8	Aerobar	1x SHCS_M6x30	80598	5mm	12Nm	Grease
9		1x SHCS_M6x45	80599			
10		2x SHCS_M6x20	80600			
11	Extension clamp's bottom	4x FHCS_M5x15	80590	3mm	5Nm	Grease
12		4x FHCS_M5x25	80592			
13		4x FHCS_M5x35	80593			
14		4x FHCS_M5x45	80594			
15		4x FHCS_M5x55	80595			
16	Extension clamp's top / bridge	4x FHCS_M5x18	80591	3mm	6Nm	Grease
16	Armrests	4x FHCS_M5x12	80596	3mm	5Nm	Grease

ELECTRON PRO 245A: 5.1. Frameset Parts

ARGON 18



Images are for reference only. Proportions are not accurate.
 Argon 18 reserves the right to modify/change parts of the frameset at any moment without prior notice.



1. Apply a drop of blue Threadlocker (n. 242) on the bolt's thread
2. Apply grease on the seat post clamp and on the screws as shown
3. Assemble the seat post clamp with the small screw, allowing the parts to move freely
4. Place the seat post collar inside the frame, holding it to prevent it falling inside the frame
5. Insert the seatpost (3.1), on which some carbon fiber assembly paste has been applied
6. Position the seatpost to the desired height
7. Tighten the set screw at 5.5Nm



Slide seat post shuttle (3.1.3) into seat post rail at desired position. Screw seat post chariot (3.1.1) onto shuttle (make sure shuttle M5 holes are aligned upwards) with M5x16 (3.1.7) screws and tighten to 6Nm.

Loosely assemble remaining seat post head as shown.

Install saddle inserting rails between upper clamp (3.1.5) and lower clamp (3.1.4). Adjust the angle, the offset of the saddle using both M5 Hex bolts (3.1.8). Tighten using 8mm wrench.

Note: While the seat post chariot lets you adjust saddle setback in a wide positioning window, the lower clamp can additionally be flipped to change saddle setback by 5.2mm.





MIN. SETBACK

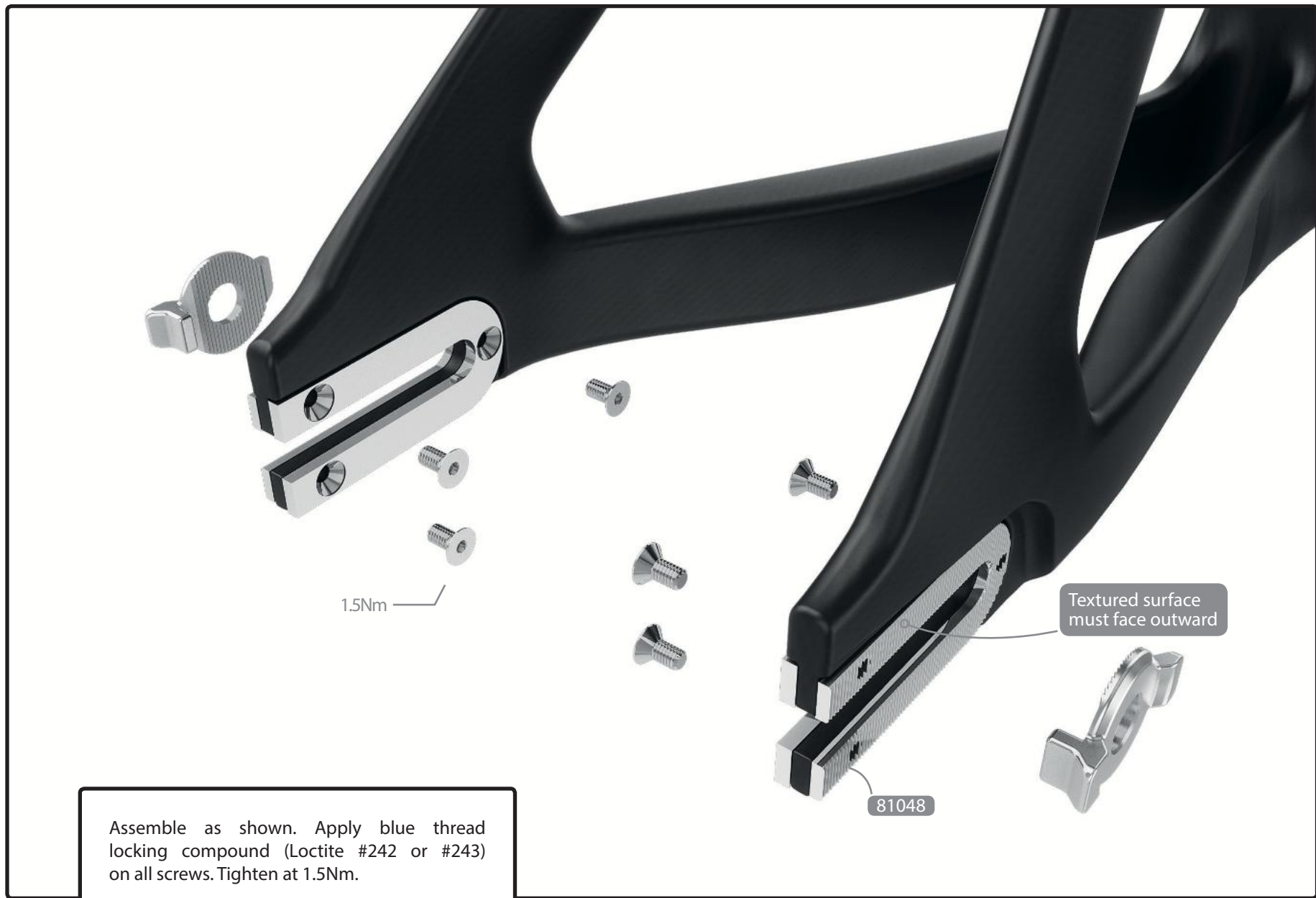


ZERO SETBACK



MAX. SETBACK





1.5Nm

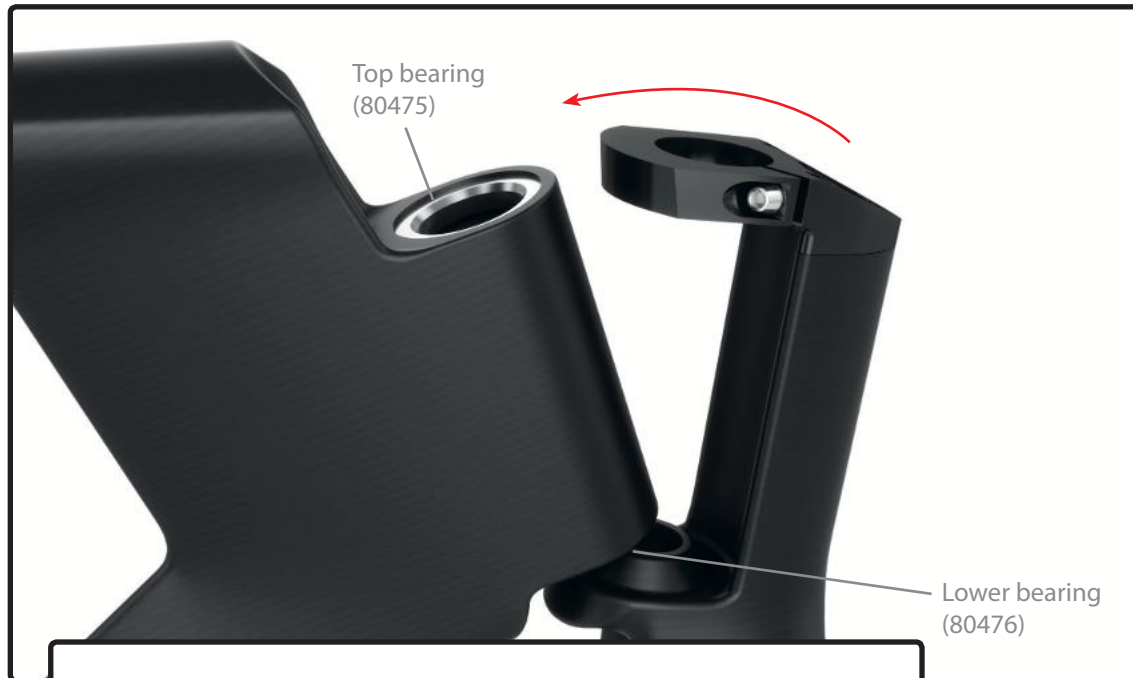
Textured surface must face outward

81048

Assemble as shown. Apply blue thread locking compound (Loctite #242 or #243) on all screws. Tighten at 1.5Nm.



1. Clean both upper and lower bearing bores. Fit check with bearings and make sure there is no interference.
2. Apply grease in both upper and lower bearing bores and insert bearings.
3. Assemble fork onto frame head tube starting from lower bearing as shown.
4. Apply grease on steerer threads and tapered section.



5. Screw in steerer. Make sure fork collar screw is loosened.

6. Lightly compress fork bearings until there is no possible movement but can rotate fork without any restriction. Use provided L-Tool to compress bearings.

Note: Steerer top should sit lower than top surface (approx. 1-2mm clearance, see next page.)

7. Tighten fork collar bolt (M5) at 5.5Nm to lock steerer in place.





1. Assemble Steerer Module using bolts provided (2x front M6x14 + 1x central M6x45). Make sure washer is placed under central bolt. Grease and tighten all bolts at 9Nm. Use an extended M5 Hex bit or extension to access central bolt.

2. Assemble the Module Cover using the Button Head Screw (1x BHCS M6x12) and a 4mm Hex key. Grease the screw and tighten at 6Nm with a torque wrench.

Note: you might want to temporarily set up the steerer module in order to fit rider, determine stem height position, and cut line prior to tightening bolts (see instructions on following page).





3. The design of the steerer module allows it to be cut to length based on stem height position, similar to a standard fork steerer. You will need to cut the aluminum steerer as shown (use standard steerer cutting jig).
4. File down and cut end of steerer clean to make sure it is free of burr.
5. Insert stem, align with wheel and compress down using top cap and 8mm Hex Key.
6. Tighten stem according to manufacturer's instructions.
7. Install preferred drop bar onto stem as per manufacturer's instructions.





1. Assemble aerobar with provided M6 screws (2x 20mm, 1x 30mm and 1x 40mm). Apply dab of grease under all bolt heads and threads.
2. Tighten all bolts at 12Nm.
3. Install screw cover with provided M3 screws.

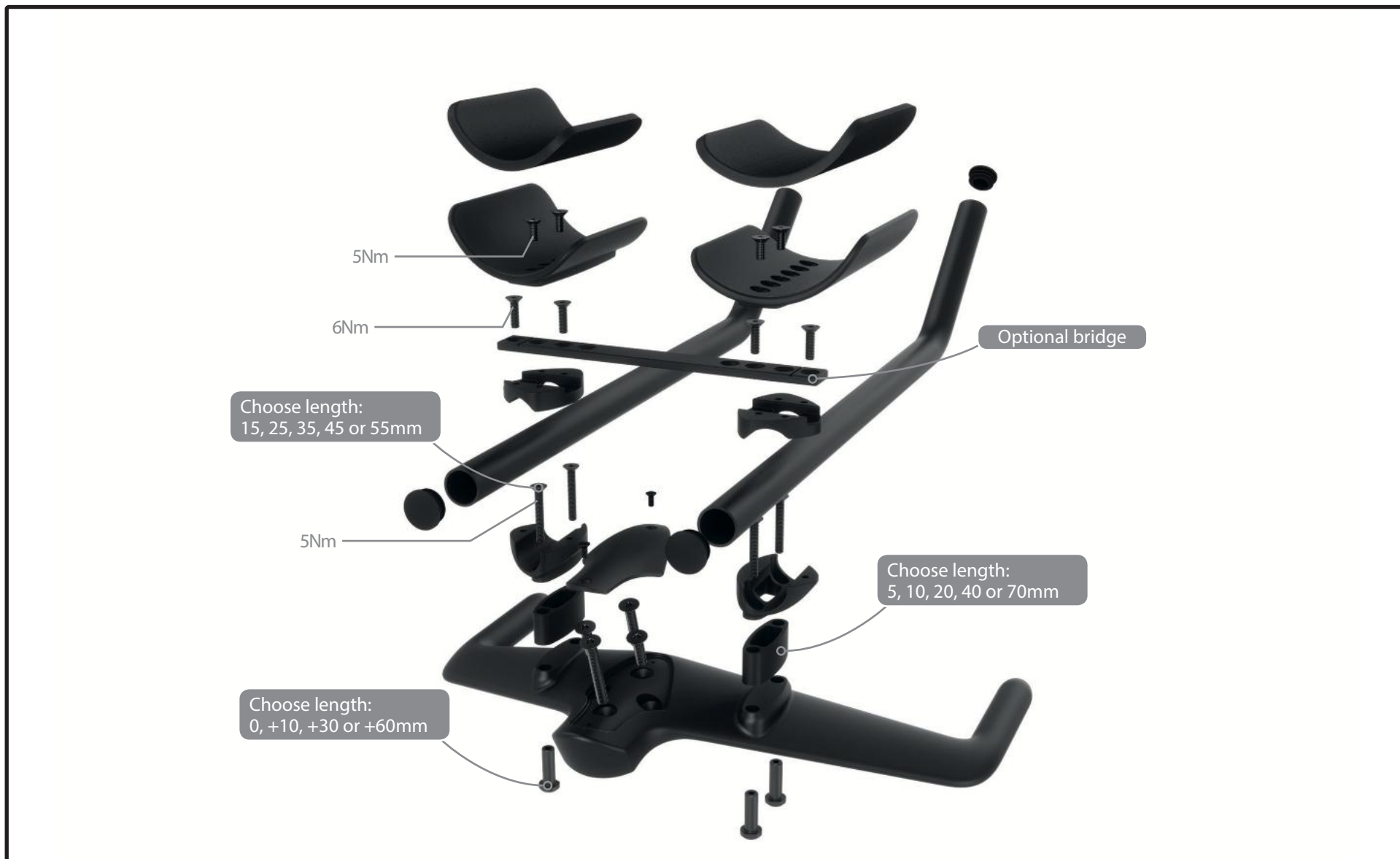


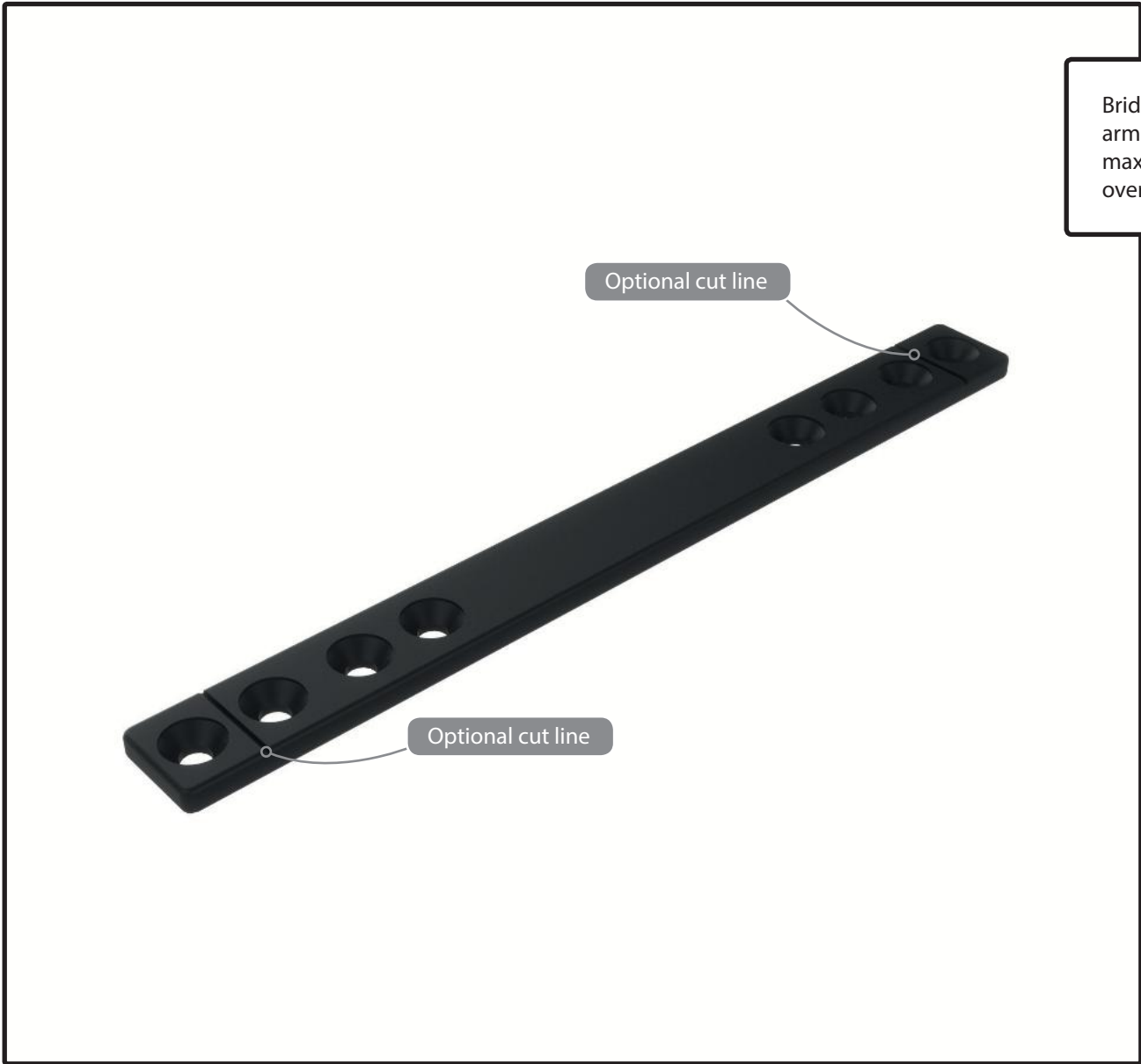


Refer to Frameset Parts Checklist for specific parts' SKUs and descriptions, p.9.



Install as shown and choose appropriate spacers, sleeve nuts and screw length based on required fit. Apply carbon paste onto extension bars prior to tightening extension clamps.





Bridge is optional and can be installed to increase armrest lateral stiffness (e.g.: when set up at maximum height.) It also can be cut to reduce overall length (cut at marked lines.)



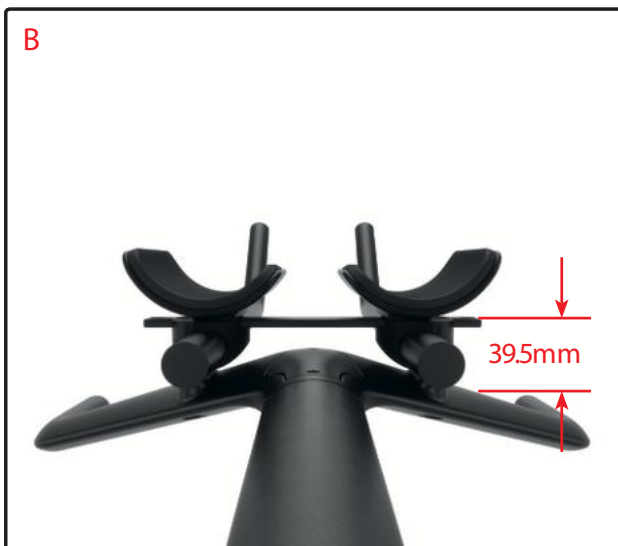
A Extension bars center-to-center: from 120mm to 150mm

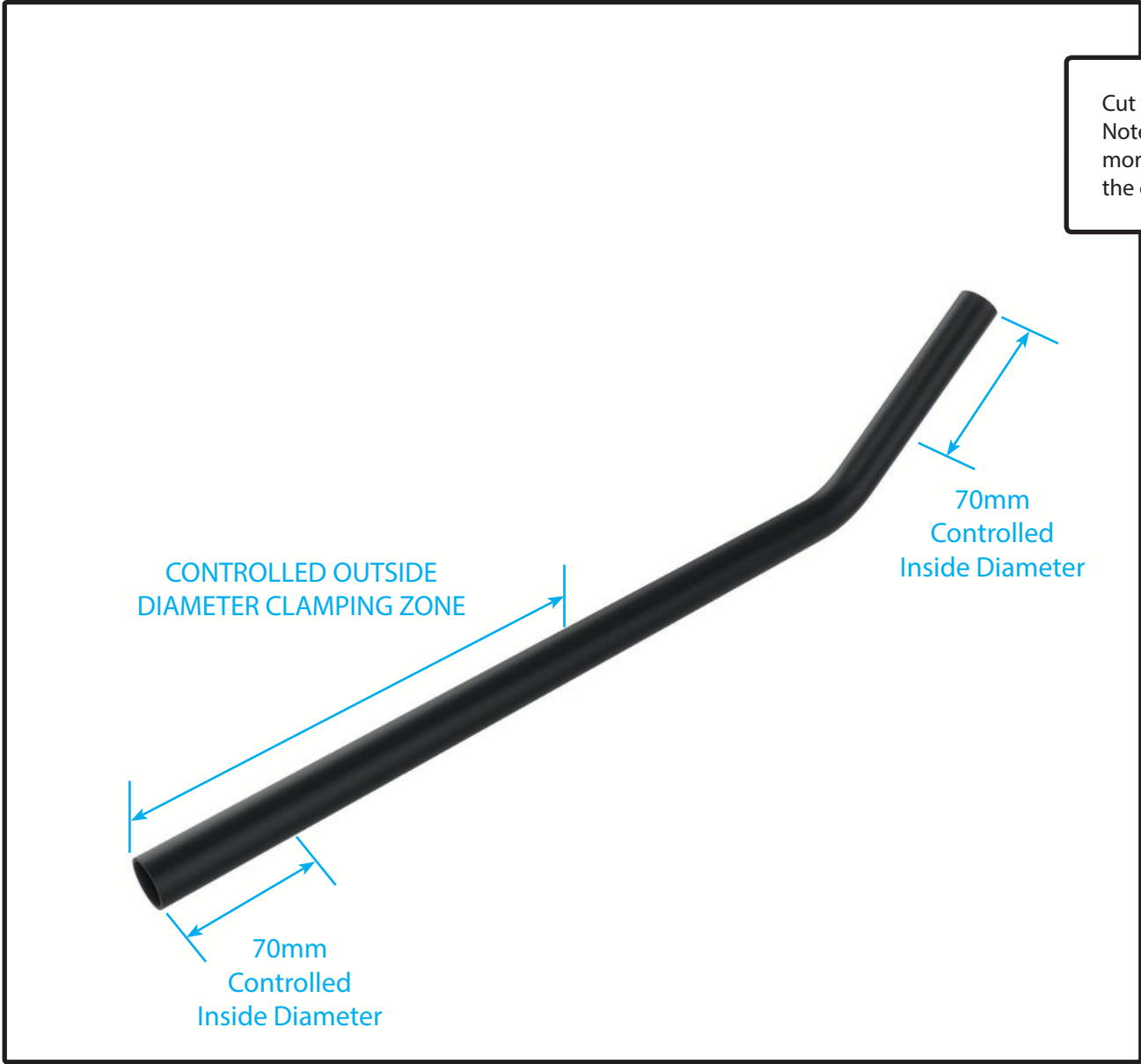
B Armrests height: from 39.5mm to 139.5mm

C Bridge/No bridge

- Armrests in/out position: 0/+15mm (total center-to-center from 120mm to 180mm)

- Armrests forward/aft position: from -20mm to +25mm

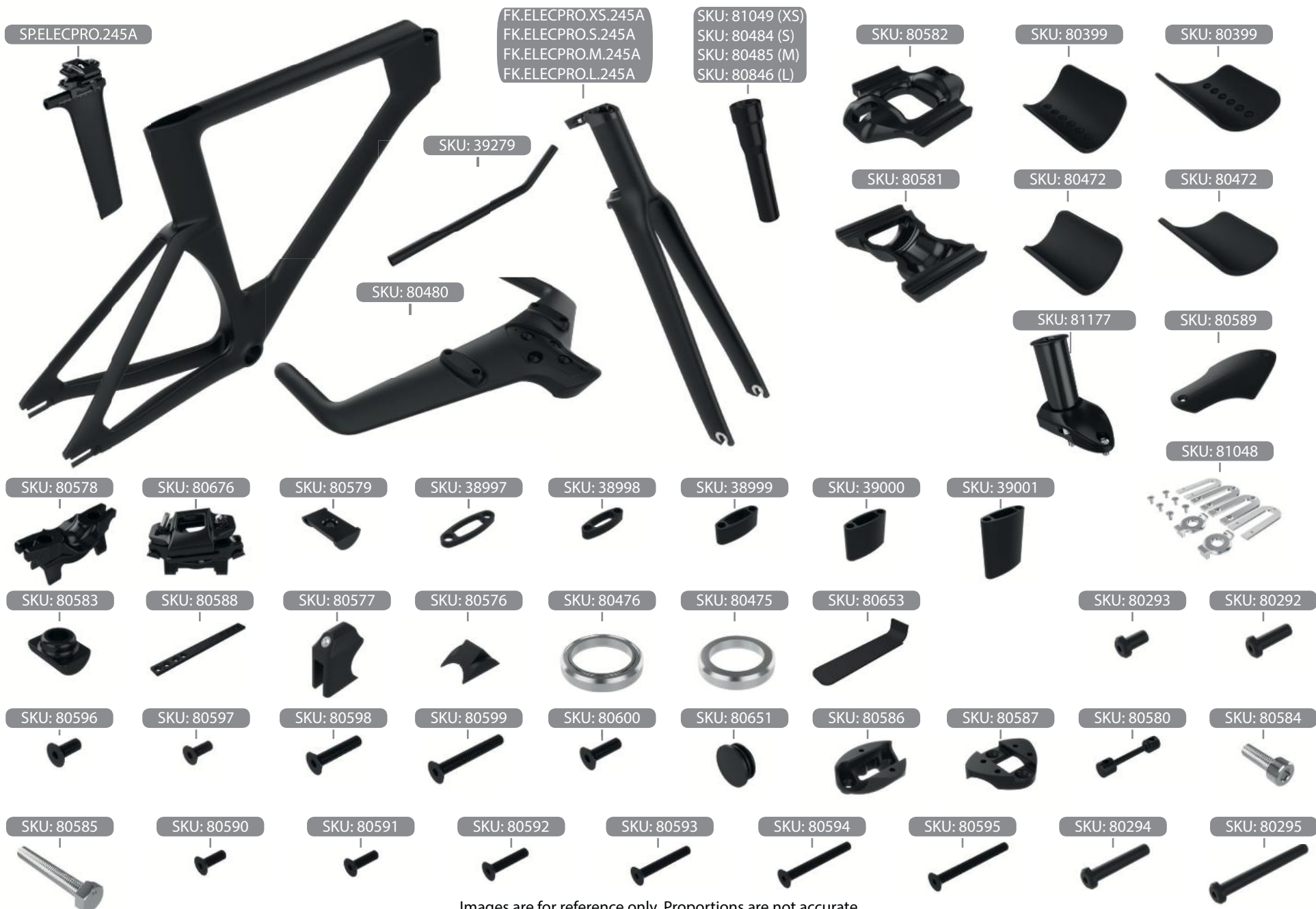




Cut the extension bars at the desired length. Note that end-plugs might not fit well if you cut more than 70mm. Apply carbon fibre paste in the clamping area.

ELECTRON PRO 245A: 10. Frameset Parts

ARGON 18



Images are for reference only. Proportions are not accurate.
 Argon 18 reserves the right to modify/change parts of the frameset at any moment without prior notice.

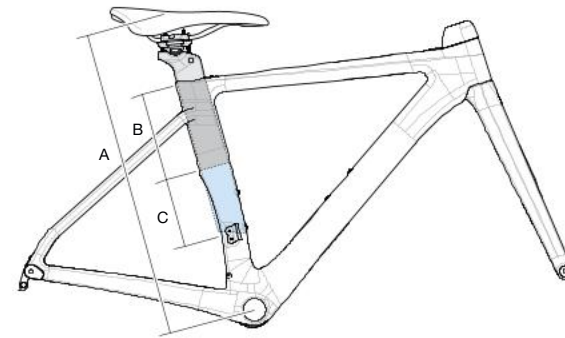
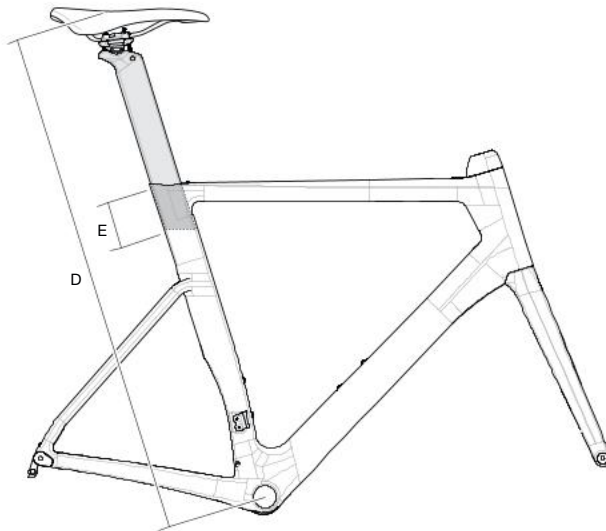


No.	Name	A18 SKU#	Qty
1.1	ELECTRON PRO FRAME (XS / S / M / L)	NOT AVAILABLE AS SPARE PART	1
1.2	REAR DROP-OUT ASSEMBLY	81048	1 KIT
1.3	TOP HEADSET BEARING - MR055E	80475	1
1.4	BOTTOM HEADSET BEARING - MR054	80476	1
1.5.1	SEATPOST CLAMP WEDGE	80576	1
1.5.2	SEATPOST CLAMP BASE (INCL. SCREWS)	80577	1
2.1	ELECTRON PRO FORK (XS / S / M / L)	FK.ELECPRO.XS.245A FK.ELECPRO.S.245A FK.ELECPRO.M.245A FK.ELECPRO.L.245A	1
2.2	STEERER (XS / S / M / L)	81049 (XS) 80484 (S) 80485 (M) 80486 (L)	1
2.3	HEADSET L-TOOL, 29.5mm WIDTH	80653	1
3	ELECTRON PRO SEATPOST COMPLETE ASSEMBLY	SP.ELECPRO.245A	1
3.1	SEATPOST HEAD COMPLETE ASSEMBLY	80676	1
3.1.1	SP CHARIOT	80578	1
3.1.2	SP BARREL NUT	80579	2
3.1.3	SP SHUTTLE	80580	1
3.1.4	SP SADDLE LOWER CLAMP	80581	1
3.1.5	SP SADDLE UPPER CLAMP	80582	1
3.1.6	SP HALF MOON NUT	80583	2
3.1.7	SHCS_M5x16	80584	2
3.1.8	HEX BOLT_M5x35	80585	2

*Except for the frame itself, which is not sold as a spare part, all parts can be ordered by referring to their respective SKU number.



No.	Name	A18 SKU#	Qty
4	ELECTRON PRO PURSUIT HANDLEBAR KIT (INCL. AEROBAR)	80480	1
4.1	AB Extension clamp - bottom	80586	2
4.2	AB Extension clamp - top	80587	2
4.3	Bridge	80588	1
4.4	Armrest - Right	80399	1
4.5	Armrest - Left	80399	1
4.6	Armrest Pad - Right	80472	1
4.7	Armrest Pad - Left	80472	1
4.8	PURSUIT HANDLEBAR COVER	80589	1
4.9	5mm EXTENSION BAR SPACER	38997	2
4.10	10mm EXTENSION BAR SPACER	38998	2
4.11	20mm EXTENSION BAR SPACER	38999	2
4.12	40mm EXTENSION BAR SPACER	39000	2
4.13	70mm EXTENSION BAR SPACER	39001	2
4.14	Sleeve nut min	80293	4
4.15	Sleeve nut min +10mm	80292	4
4.16	Sleeve nut min +30mm	80294	4
4.17	Sleeve nut min +60mm	80295	4
4.18	FHCS_M5x18	80591	4
4.19	FHCS_M5x15	80590	4
4.20	FHCS_M5x25	80592	4
4.21	FHCS_M5x35	80593	4
4.22	FHCS_M5x45	80594	4
4.23	FHCS_M5x55	80595	4
4.24	FHCS_M5x12	80596	4
4.25	FHCS_M3x8	80597	2
4.26	FHCS_M6x30	80598	1
4.27	FHCS_M6x40	80599	1
4.28	FHCS_M6x20	80600	2
5.1	EXTENSION BARS	39279	1 KIT OF 2
5.2	EXTENSION BAR END CAPS	80651	4
6	STEERER MODULE ASSEMBLY (FOR SPRINT CONFIGURATION)	81177	1 KIT



NOTE: THE ABOVE IMAGE IS FOR VISUAL REFERENCE OF SEATPOST INSERTION ONLY

Refer to the tables below for details on Saddle Height and SeatPost insertion limits.

- i. The correct frame size must be determined according to the saddle height limits.
 - A. Minimum Saddle Height
 - D. Maximum Saddle Height

- ii. Depending on the size of the frame and the desired saddle height, the SeatPost might need to be cut.
 - B. Maximal insertion depth in the Frame's SeatTube.
 - C. Required SeatPost cut length to be able to adjust the Saddle Height at the Minimum position.
 - Adjust the SeatPost cut length in accordance with your desired Saddle Height.
 - Required minimum SeatPost Cut length = $C - ("desired\ Saddle\ Height" - A)$
 - Example: - For a desired Saddle Height of 600mm on a XS-Electron Pro Frame
 - The required minimum SeatPost Cut length is: $255 - (600-543) = 198\text{mm}$
 - E. Minimal insertion depth in the Frame's SeatTube.

Saddle Height Limits		Electron Pro			
Size	Saddle H Min	ST Max Insert	SP Cut	Saddle H Max	SP Min Insert
	mm	mm	mm	mm	mm
	A	B	C	D	E
X-Small	543	115	255	833	80
Small	637	160	210	927	80
Medium	649	175	195	939	80
Large	662	190	180	952	80