



Artwork : 312A / 350A

Valid for MY2020-2021 - Electron Pro TKO

Revision 6.1 - 16.02.2021



Artwork : 312A / 350A

Valid for MY2020-2021 - Electron Pro TKO

Revision 6.1 - 16.02.2021



Artwork : 313A / 350B

Valid for MY2020-2021 - Electron Pro TKO

Revision 6.1 - 16.02.2021



Artwork : 313A / 350B  
Valid for MY2020-2021 - Electron Pro TKO  
Revision 6.1 - 16.02.2021



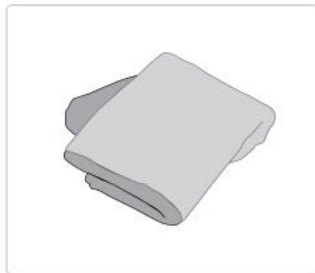
|   |    |
|---|----|
| 1. Tools Needed and First Aid Kit .....       | 6  |
| 2. Specifications .....                       | 7  |
| 2.1 Smart Sensors .....                       | 8  |
| 3. Min/Max Saddle Height .....                | 9  |
| 4. Frameset Inspection & Torques .....        | 10 |
| 4.1 Pursuit Frameset .....                    | 11 |
| 4.3 Sprint Frameset .....                     | 14 |
| 4.5 Pursuit Bars .....                        | 16 |
| 4.7 Sprint Bars .....                         | 18 |
| 5. Forks Specifications .....                 | 20 |
| 6. Seat Post Collar Assembly .....            | 21 |
| 7. Seat Post Head Assembly .....              | 22 |
| 8. Rear Dropouts .....                        | 23 |
| 8.1 Rear Dropouts Adjustments .....           | 24 |
| 9. Fork and Steerer Assembly .....            | 25 |
| 9.1 Fork Assembly .....                       | 26 |
| 9.2 Steerer Column Assembly .....             | 27 |
| 10. Steerer Module Assembly .....             | 28 |
| 11. Cockpit Assembly .....                    | 30 |
| 11.1 Optional Bridge and Extension Bars ..... | 31 |
| 11.2 Extensions Assembly .....                | 32 |
| 11.3 Armrest Positioning Options .....        | 33 |
| 12. Pursuit Bars Assembly .....               | 34 |
| 13. Sprint Bars Assembly .....                | 35 |
| 13.1 Sprint Bars Stack Adjustment .....       | 36 |

|                         |
|-------------------------|
| My Electron Pro         |
| Date of purchase: _____ |
| Retailer: _____         |
| Size: _____             |
| Serial Number: _____    |

**For the warranty to be valid, the bicycle must be fully assembled by an authorized Argon 18 dealer.**

*High-end components, particularly carbon parts, need extra care when assembled.*

*These components must be installed using a calibrated torque wrench to make sure every bolt is at the right torque setting to prevent damage.*



## Tools needed for assembly

1. Allen Key Set
2. 8mm Wrench
3. Grease
4. Loctite #242 or #243
5. Clean Rags
6. Carbon Paste
7. Torque Wrench and Hex bits
8. Extension for Hex Bit or Extended 5mm Hex Bit

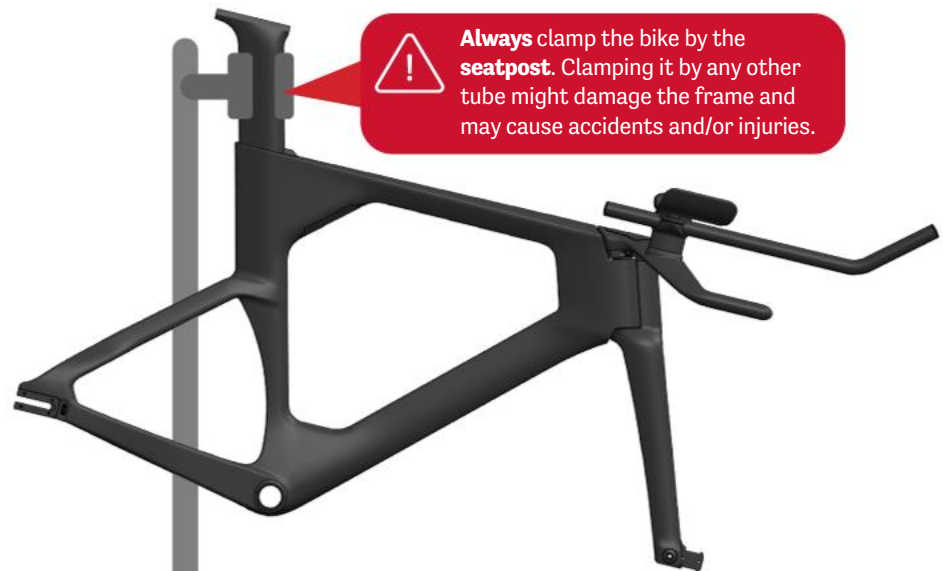


SKU: 80577

1. Seat Post Clamp



SKU: 80576



**!** Always clamp the bike by the **seatpost**. Clamping it by any other tube might damage the frame and may cause accidents and/or injuries.

# ELECTRON PRO TKO: 2. Specifications

# ARGON 18



| <i><b>ELECTRON PRO SPECS</b></i>         | <i><b>RIO PURSUIT</b></i>                  | <i><b>RIO SPRINT</b></i>  | <i><b>TKO PURSUIT VERSION</b></i>  | <i><b>TKO SPRINT VERSION</b></i>  |
|--|--|---|--|---|
| <i><b>FRAME WEIGHT</b></i>               | 1650g                                      | 1650g   | 1370g  | 1630  |
| <i><b>FORK WEIGHT</b></i>                | 510g                                       | 510g  | 475g   | 475g  |
| <i><b>STIFFNESS</b></i>                  | Baseline                                   | Compare to Baseline:<br>Bottom Bracket : +21%<br>Torsionnal Stiffness : +15%<br>Rear Triangle Stiffness: +32% | Compare to Baseline:<br>Bottom Bracket : +2%<br>Torsionnal Stiffness : +9%<br>Rear Triangle Stiffness: Equal | Compare to Baseline:<br>Bottom Bracket : +14%<br>Torsionnal Stiffness : +27%<br>Rear Triangle Stiffness: +27% |
| <i><b>PURSUIT COCKPIT</b></i>            | Included w/Regular<br>Ext. Bars + Hardware | Not Included  | Included w/Regular<br>Ext. Bars + Hardware   | Not Included  |
| <i><b>SPRINT HANDLEBAR</b></i>           | Not Included                               | Not Included  | Not Included   | Not Included  |
| <i><b>BB STANDARD</b></i>                | BSA (english threads)                      | BSA (english threads)   | BSA (english threads)  | BSA (english threads)   |
| <i><b>HEADSET</b></i>                    | MR055A+MR054                               | MR055A+MR054  | MR055A+MR054   | MR055A+MR054  |
| <i><b>TIRE CLEARANCE</b></i>             | 23mm                                       | 23mm  | 24mm   | 24mm  |
| <i><b>MAX CHAINRING</b></i>              | 65T  | 65T   | 70T  | 70T   |
| <i><b>REGULAR STEM COMPATIBILITY</b></i> | Yes  | Yes   | Yes  | Yes   |
| <i><b>WHEEL INTERFACE</b></i>            | Front : Bolt-on<br>Rear : Bolt-on          | Front : Bolt-on<br>Rear : Bolt-on   | Front : 12x100mm Thru-Axle<br>Rear : Bolt-on   | Front : 12x100mm Thru-Axle<br>Rear : Bolt-on  |
|  |  |   | Note: Compatible front wheel are very limited. Make sure to check availability                               | Note: Compatible front wheel are very limited. Make sure to check availability                                |

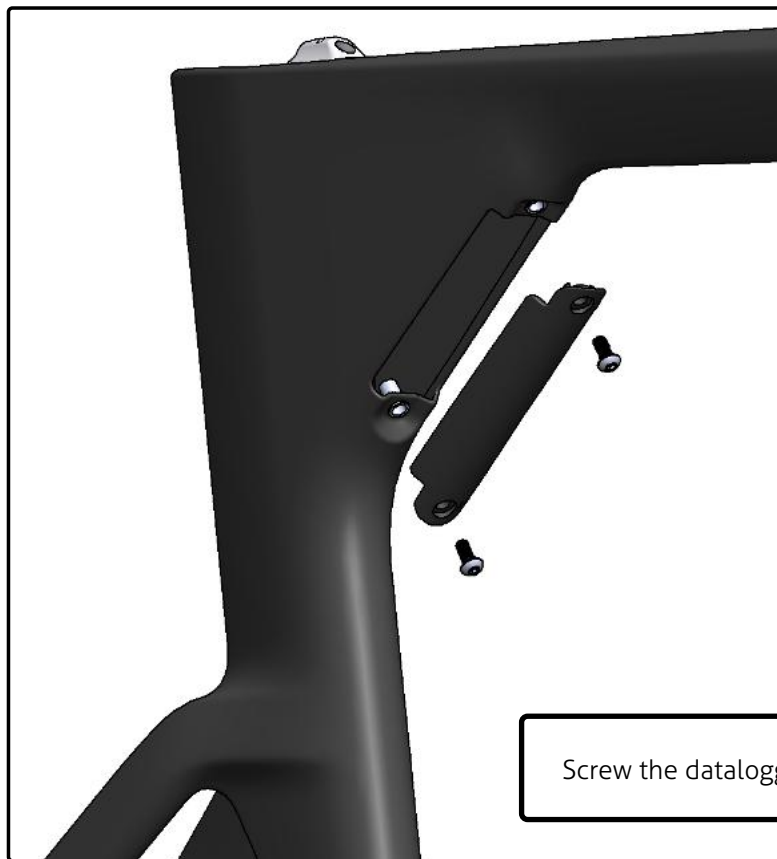
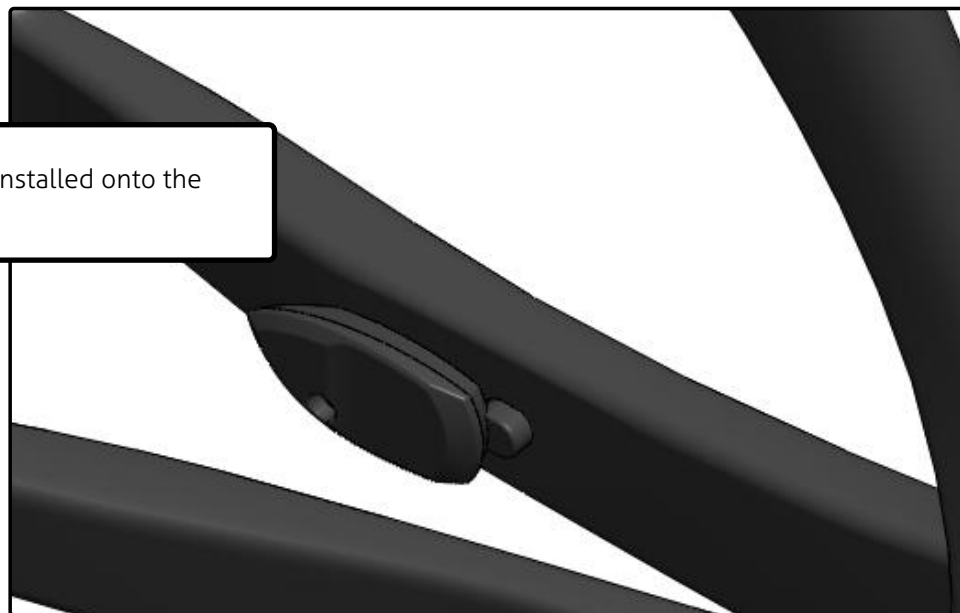


\*Union Cycliste Internationale (UCI) compliant



**Speed-Sensor-Ready**

Speedsense speed sensor can be installed onto the frame.



**Timing-Chip-Ready**

Integrated timing chip mount.



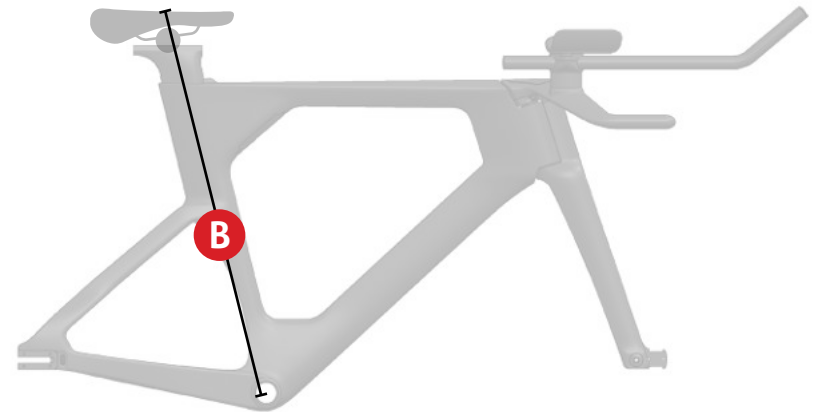
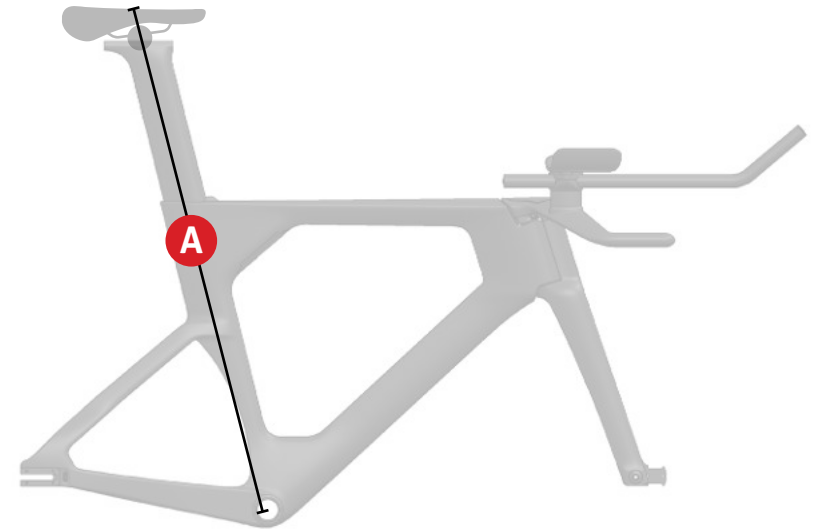
**Data-Logger-Ready**

Screw the datalogger cover with both M4x12mm bolt.



Depending on the size of the frame and the desired height, the SeatPost might need to be cut.  
 Measure the SeatPost cut length in accordance with your desired Saddle Height with this formula.

| Saddle Height Limits |                   |                   |               |
|----------------------|-------------------|-------------------|---------------|
| Size                 | Max Saddle Height | Min Saddle Height | Formula Value |
|                      | mm                | mm                |               |
|                      | <b>A</b>          | <b>B</b>          | <b>C</b>      |
| Small                | 880               | 670               | 800           |
| Medium               | 892               | 682               | 812           |
| Large                | 899               | 689               | 819           |



### My desired saddle height

- The value must be between A & B based on your bike size.
- Measured from the BB center to the top of the saddle\*
- Based on a chariot and saddle of +/- 133mm in height.

D =  in mm.

### Seatpost Cutting Formula

Use the values based on your bike size in the sizing chart above.

**C - D = Cutting Length in mm. (Max. 210mm)**  
 If the value is negative, **no cutting** is necessary.

**Minimum Seatpost Insertion : 80mm**  
**Maximum Seatpost Insertion : 160 mm**  
**Maximum Seatpost Cut : 210 mm**



**IMPORTANT:**

The following parts are assembled on the frame. When assembling the bike, you will need to adjust these parts according to their torque specifications.

## Screw Sizes & Torques Chart

| Part name                             | Description    | SKU               | Hex Key | Torque | Detail      |
|---------------------------------------|----------------|-------------------|---------|--------|-------------|
| Rear dropout inserts screws           | 8 x FHCS_M4x8  | Included in 81048 | 2.5mm   | 1.5Nm  | Loctite 242 |
| Seat post clamp screws                | 1 x SHSS_M8x16 | Included in 80577 | 4mm     | 5.5Nm  | Grease      |
|                                       | 1 x BHCS_M3x8  |                   | 2.5mm   | 5.5Nm  | Grease      |
| Seat post head chariot screws         | 2 x SHCS_M5x16 | 80584             | 4mm     | 6Nm    | Grease      |
| Fork steerer screw                    | 1 x SHCS_M5x12 | N/A               | 4mm     | 5.5Nm  | Grease      |
| Steerer module screws                 | 1 x SHCS_M6x45 | Included in 81177 | 5mm     | 9Nm    | Grease      |
|                                       | 2 x SHCS_M6x14 |                   | 4mm     | 6Nm    | Grease      |
|                                       | 1 x BHCS_M6x12 |                   |         |        |             |
| <b>Aerobar and Extensions</b>         |                |                   |         |        |             |
| Aerobar Screws                        | 1 x FHCS_M6x30 | 80598             | 5mm     | 12Nm   | Grease      |
|                                       | 1 x FHCS_M6x40 | 80599             |         |        |             |
|                                       | 2 x FHCS_M6x20 | 80600             |         |        |             |
| Extension clamp's bottom screws       | 4 x FHCS_M5x15 | 80590             | 3mm     | 5Nm    | Grease      |
|                                       | 4 x FHCS_M5x25 | 80592             |         |        |             |
|                                       | 4 x FHCS_M5x35 | 80593             |         |        |             |
|                                       | 4 x FHCS_M5x45 | 80594             |         |        |             |
|                                       | 4 x FHCS_M5x55 | 80595             |         |        |             |
| Extension clamp's top / bridge screws | 4 x FHCS_M5x18 | 80591             | 3mm     | 6Nm    | Grease      |
| Armrests screws                       | 4 x FHCS_M5x12 | 80596             | 3mm     | 5Nm    | Grease      |
| <b>Sprint Bars</b>                    |                |                   |         |        |             |
| Sprint Bar Screws                     | FHCS_M6        | -                 | 5mm     | 12Nm   | Grease      |
|                                       | FHCS_M6        | -                 |         |        |             |
|                                       | FHCS_M6        | -                 |         |        |             |
| Handlebar Cover Screw                 | BHCS_M4        | -                 | 3mm     | 5Nm    | Grease      |



*BEFORE ASSEMBLING YOUR NEW ELECTRON PRO, MAKE SURE THAT YOU HAVE ALL THE FOLLOWING:*

1. Frameset parts checklist
2. All the necessary bolts (refer to Frameset Parts, p.9)

*WHEN ASSEMBLING YOUR NEW ELECTRON PRO, MAKE SURE YOU FOLLOW THIS PROCEDURE:*

3. Inspect the frame for cosmetic aspect (scratches, bumps, cracks, paint defect, etc.)
4. For reference, check serial number and write it on p.2

## Pursuit Frameset

| Name   | A18 SKU#   | Qty   |
|--|--|-------|
| ELECTRON PRO PURSUIT FRAME (XS / S / M / L)          | NOT AVAILABLE AS SPARE PART                        | 1     |
| REAR DROP-OUT ASSEMBLY                               | 81285  | 1 KIT |
| TOP HEADSET BEARING - MR055E                         | 80475  | 1     |
| BOTTOM HEADSET BEARING - MR054                       | 80476  | 1     |
| SEATPOST CLAMP WEDGE                                 | 80576  | 1     |
| SEATPOST CLAMP BASE (INCL. SCREWS)                   | 80577  | 1 KIT |
| DATALOGGER COVER (INCL. SCREWS)                      | 81286  |       |
| ELECTRON PRO SPRINT FORK (INCL. SCREW) - (S / M / L) | FK.ELPR.S.XXXX<br>FK.ELPR.M.XXXX<br>FK.ELPR.L.XXXX | 1     |
| STEERER (S / M / L)                                  | 81287 (S)<br>81288 (M)<br>81289 (L)                | 1     |
| STEERER PLUG   | 81290  | 1     |
| HEADSET L-TOOL, 29.5mm WIDTH                         | 80653  | 1     |
| ELECTRON PRO SEATPOST COMPLETE ASSEMBLY              | SP.ELPR.XXXX                                       | 1 KIT |
| SEATPOST HEAD ASSEMBLY (RITCHEY WCS 1-Bolt)          | -  | 1     |
| STEERER MODULE ASSEMBLY                              | 81177  | 1     |
| SEATPOST   | -  | 1     |

\*Except for the frame itself, which is not sold as a spare part, all parts can be ordered by referring to their respective SKU number.

Replace XXXX by the artwork #



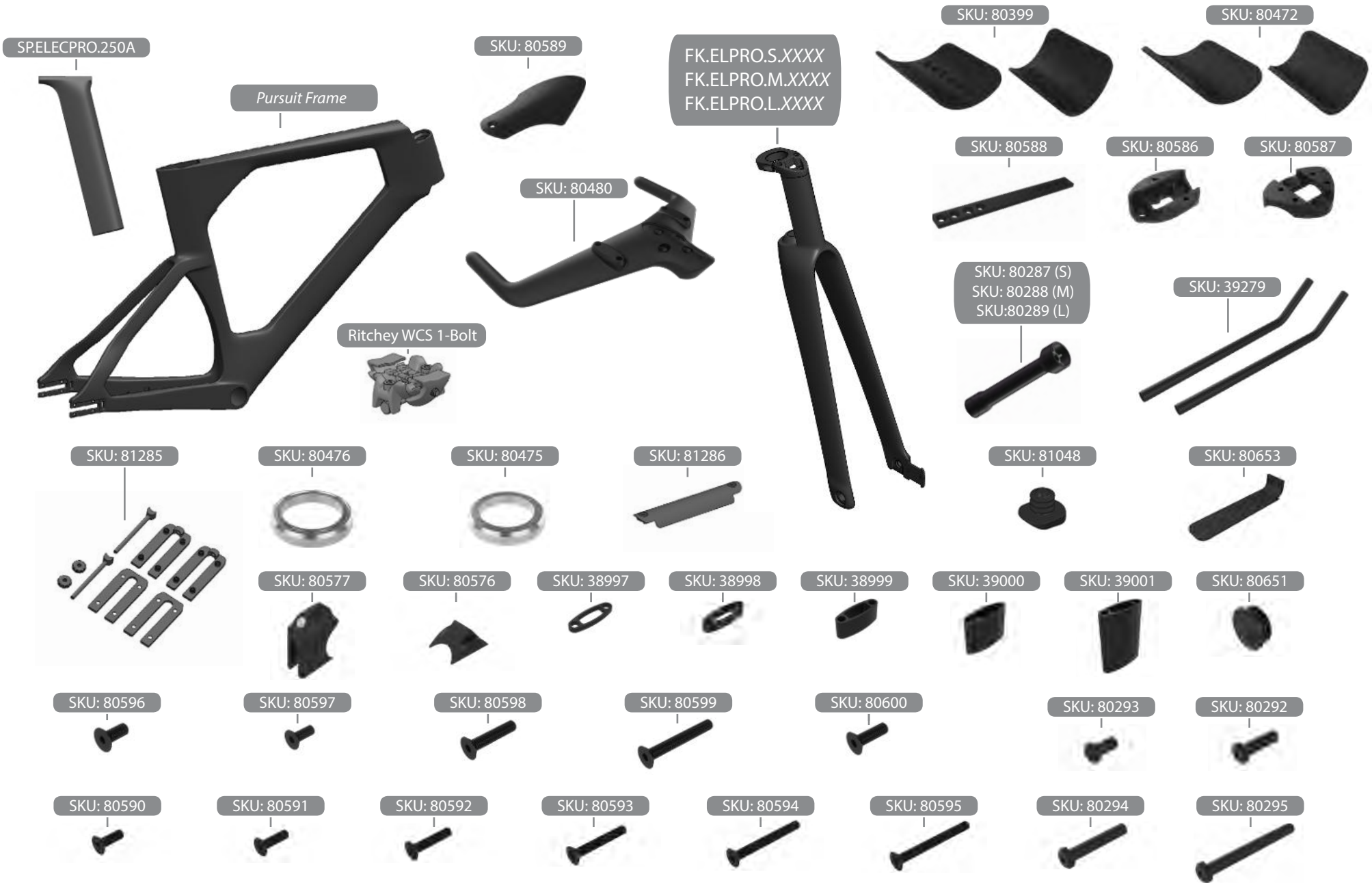
## Extension Bars

| Name   | A18 SKU# | Qty        |
|--|----------|------------|
| ELECTRON PRO PURSUIT HANDLEBAR KIT (INCL. AEROBAR) | -        | 1          |
| AB Extension clamp - bottom                        | 80586    | 2          |
| AB Extension clamp - top                           | 80587    | 2          |
| Bridge   | 80588    | 1          |
| Armrest - Right                                    | 80399    | 1          |
| Armrest - Left                                     | 80399    | 1          |
| Armrest Pad - Right                                | 80472    | 1          |
| Armrest Pad - Left                                 | 80472    | 1          |
| PURSUIT HANDLEBAR COVER                            | 80589    | 1          |
| 5mm EXTENSION BAR SPACER                           | 38997    | 2          |
| 10mm EXTENSION BAR SPACER                          | 38998    | 2          |
| 20mm EXTENSION BAR SPACER                          | 38999    | 2          |
| 40mm EXTENSION BAR SPACER                          | 39000    | 2          |
| 70mm EXTENSION BAR SPACER                          | 39001    | 2          |
| Sleeve nut min                                     | 80293    | 4          |
| Sleeve nut min +10mm                               | 80292    | 4          |
| Sleeve nut min +30mm                               | 80294    | 4          |
| Sleeve nut min +60mm                               | 80295    | 4          |
| FHCS_M5x18   | 80591    | 4          |
| FHCS_M5x15   | 80590    | 4          |
| FHCS_M5x25   | 80592    | 4          |
| FHCS_M5x35   | 80593    | 4          |
| FHCS_M5x45   | 80594    | 4          |
| FHCS_M5x55   | 80595    | 4          |
| FHCS_M5x12   | 80596    | 4          |
| FHCS_M3x8  | 80597    | 2          |
| FHCS_M6x30   | 80598    | 1          |
| FHCS_M6x40   | 80599    | 1          |
| FHCS_M6x20   | 80600    | 2          |
| EXTENSION BARS                                     | 81050    | 1 KIT OF 2 |
| EXTENSION BAR END CAPS                             | 80651    | 4          |
| STEERER MODULE ASSEMBLY (FOR SPRINT CONFIGURATION) | 81177    | 1 KIT      |

\*Except for the frame itself, which is not sold as a spare part, all parts can be ordered by referring to their respective SKU number.

# ELECTRON PRO TKO: 4.2 Pursuit Frameset Parts\*

# ARGON 18



Images are for reference only. Proportions are not accurate.  
 Argon 18 reserves the right to modify/change parts of the frameset at any moment without prior notice.

Replace XXXX by the artwork #



## Sprint Frameset

| Name                                  | A18 SKU#   | Qty   |
|---------------------------------------|--|-------|
| ELECTRON PRO Sprint Frame (S / M / L) | *Not available as spare parts*                     | 1     |
| Steerer Module Assembly               | 81177  | 1 KIT |
| Rear Dropout Assembly                 | 81285  | 1 KIT |
| Top Bearing (MR055E)                  | 80475  | 1     |
| Bottom Bearing (MR054)                | 80476  | 1     |
| Datalogger Cover (Incl. Screws)       | 81286  | 1     |
| Seatclamp Base (Incl. Screws)         | 80577  | 1     |
| Seatclamp Wedge                       | 80576  | 1     |
| ELECTRON PRO Sprint Fork              | FK.ELPR.S.XXXX<br>FK.ELPR.M.XXXX<br>FK.ELPR.L.XXXX | 1     |
| Steerer                               | 81287 (S)<br>81288 (M)<br>81289 (L)                | 1     |
| Steerer Plug                          | 81290  | 1     |
| Seatpost                              | SP.ELPR.XXXX                                       | 1     |
| DT Swiss Front Thru axle 12 x 119mm   | 80812  |       |
| Seatpost Head Ritchey WCS 1-Bolt      | -  | 1 KIT |

\*Except for the frame itself, which is not sold as a spare part, all parts can be ordered by referring to their respective SKU number.



SP.ELECPRO.250A



FK.ELPRO.S.XXXX  
FK.ELPRO.M.XXXX  
FK.ELPRO.L.XXXX



SKU: 80475



SKU: 80476



Thru Axle 12x119MM



FK.ELPRO.S.XXXX  
FK.ELPRO.M.XXXX  
FK.ELPRO.L.XXXX



SKU: 80287 (S)  
SKU: 80288 (M)  
SKU: 80289 (L)



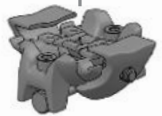
SKU: 80653



SKU: 81290



Ritchey WCS 1-Bolt



SKU: 80577



SKU: 80576



SKU: 81286



SKU: 81177



SKU: 81285



Images are for reference only. Proportions are not accurate.  
Argon 18 reserves the right to modify/change parts of the frameset at any moment without prior notice.  
Replace XXXX by the artwork #



## Pursuit Bars

| Name                    | A18 SKU#                    | Qty |
|-------------------------|-----------------------------|-----|
| Left Pursuit Extension  | 81292 (312A) - 81293 (350A) | 1   |
| Right Pursuit Extension | 80586                       | 1   |
| Flip-Chip 10mm          | 80587                       | 2   |
| Transition Spacer       | 80588                       | 2   |
| Left Elbow Pad Spacer   | 80399                       | 1   |
| Right Elbow Pad Spacer  | 80399                       | 1   |
| FHCS M5x12mm            | 80472                       | 2   |

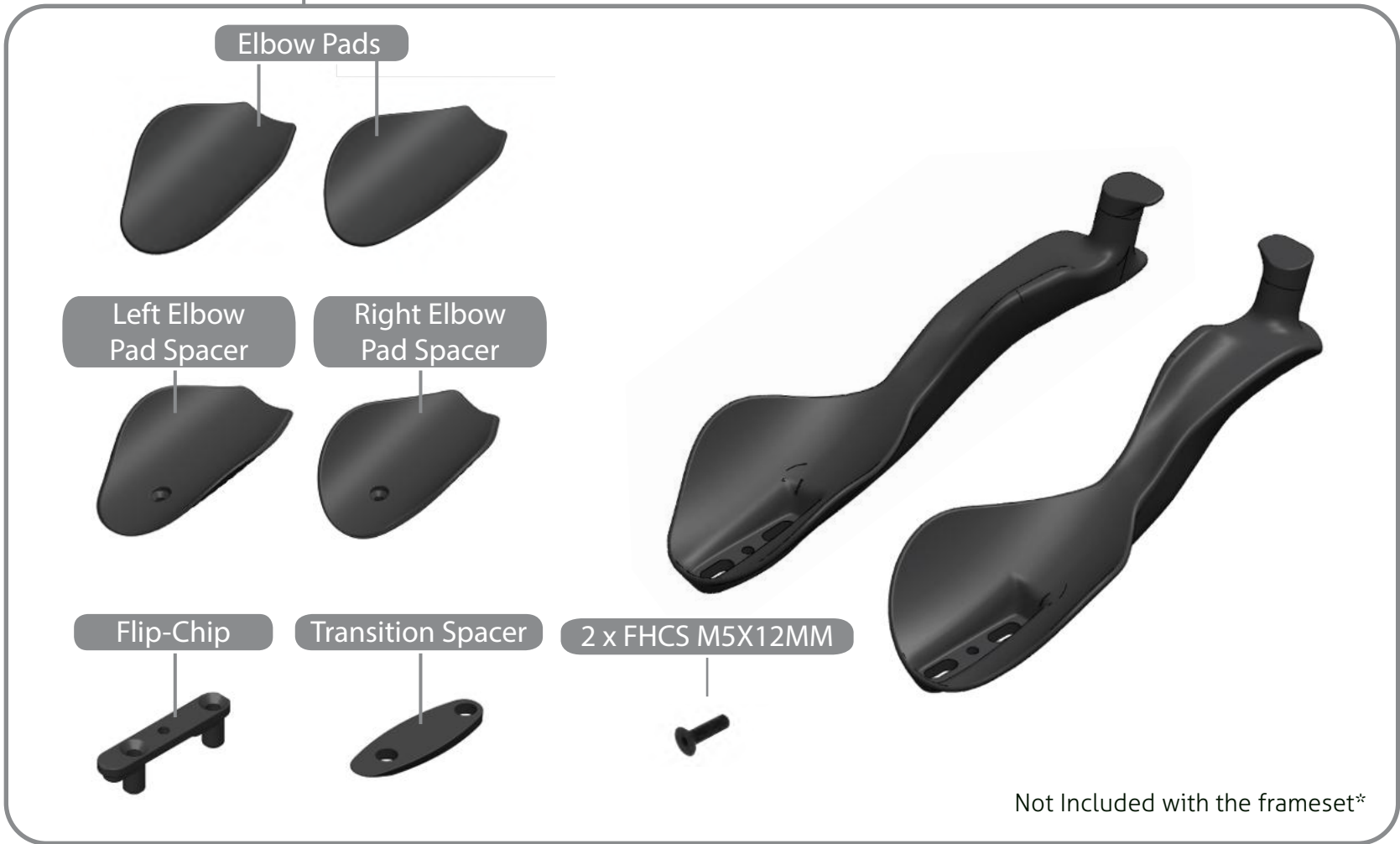
\*Except for the frame itself, which is not sold as a spare part, all parts can be ordered by referring to their respective SKU number.



**Pursuit and Sprint** bars are accessory components that need to be ordered separately. They are **not included** in the frameset.



240mm : 81210 (312A) - 81494 (350A)  
260mm : 81211 (312A) - 81495 (350A)  
280mm : 81212 (312A) - 81496 (350A)  
300mm : 81213 (312A) - 81497 (350A)



Images are for reference only. Proportions are not accurate.  
Argon 18 reserves the right to modify/change parts of the frameset at any moment without prior notice.



## Sprint Bars

| Name                       | A18 SKU#                 | Qty |
|----------------------------|--------------------------|-----|
| Sprint Handlebar           | See Sizing Chart* (p.34) | 1   |
| Sprint Handlebar Cover     | -                        | 1   |
| Handlebar Stem Spacer 5mm  | -                        | 2   |
| Handlebar Stem Spacer 10mm | -                        | 2   |
| FHCS M6x20                 | -                        | 2   |
| FHCS M6x25                 | -                        | 2   |
| FHCS M6x30                 | -                        | 2   |
| FHCS M6x35                 | -                        | 2   |
| FHCS M6x40                 | -                        | 2   |
| FHCS M6x45                 | -                        | 2   |
| FHCS M6x50                 | -                        | 2   |
| FHCS M6x55                 | -                        | 1   |
| FHCS M6x60                 | -                        | 1   |
| FHCS M6x70                 | -                        | 1   |
| BHCS M4x16                 | -                        | 1   |
| BHCS M4x18                 | -                        | 1   |

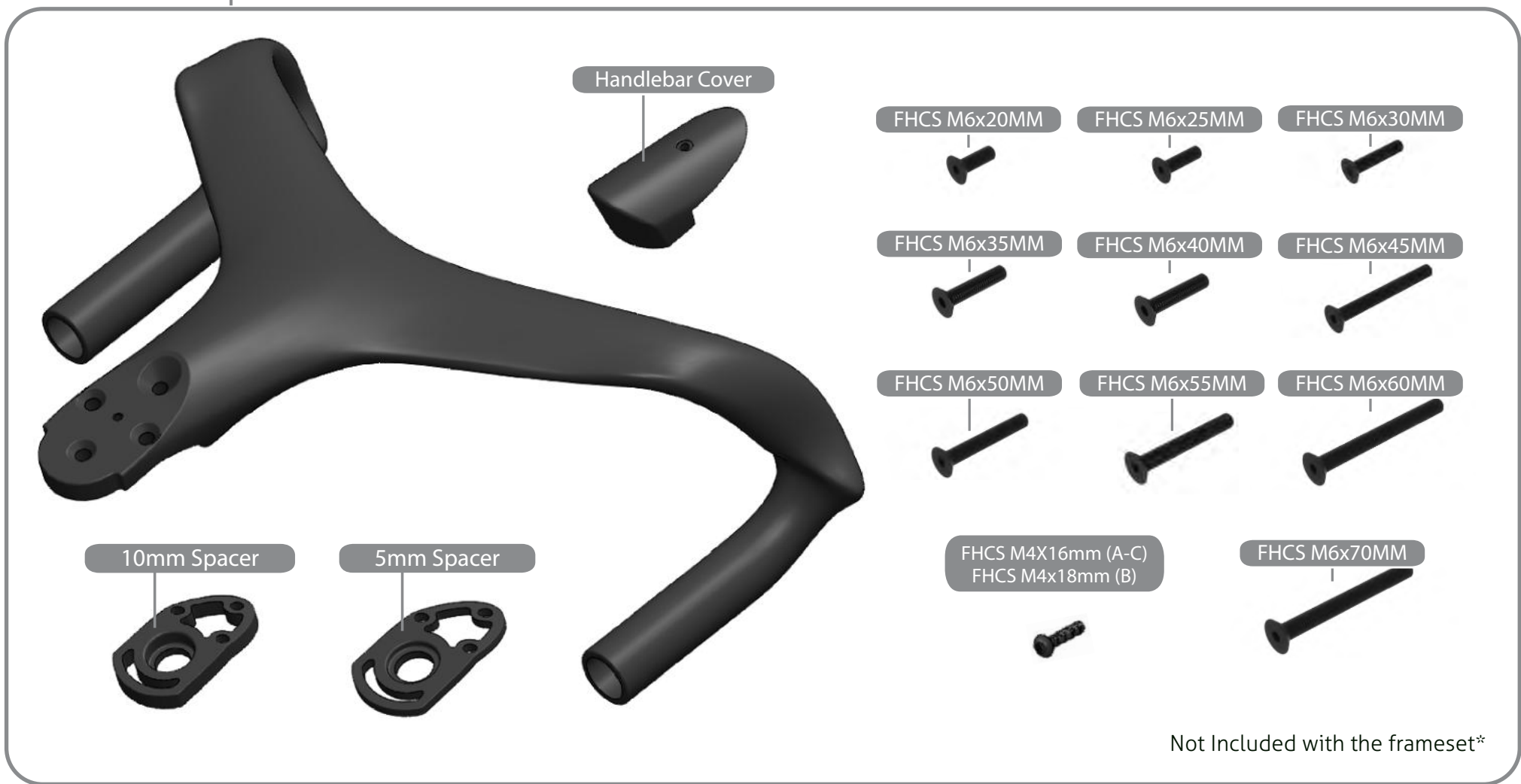
\*Except for the frame itself, which is not sold as a spare part, all parts can be ordered by referring to their respective SKU number.



**Pursuit and Sprint** bars are accessory components that need to be ordered separately. They are **not included** in the frameset.



81214 (313A) - 81490 (350B)  
 81215 (313A) - 81491 (350B)  
 81284 (313A) - 81492 (350B)



Images are for reference only. Proportions are not accurate.  
 Argon 18 reserves the right to modify/change parts of the frameset at any moment without prior notice.



### Sprint Fork


Thru Axle : 12mm x 110mm

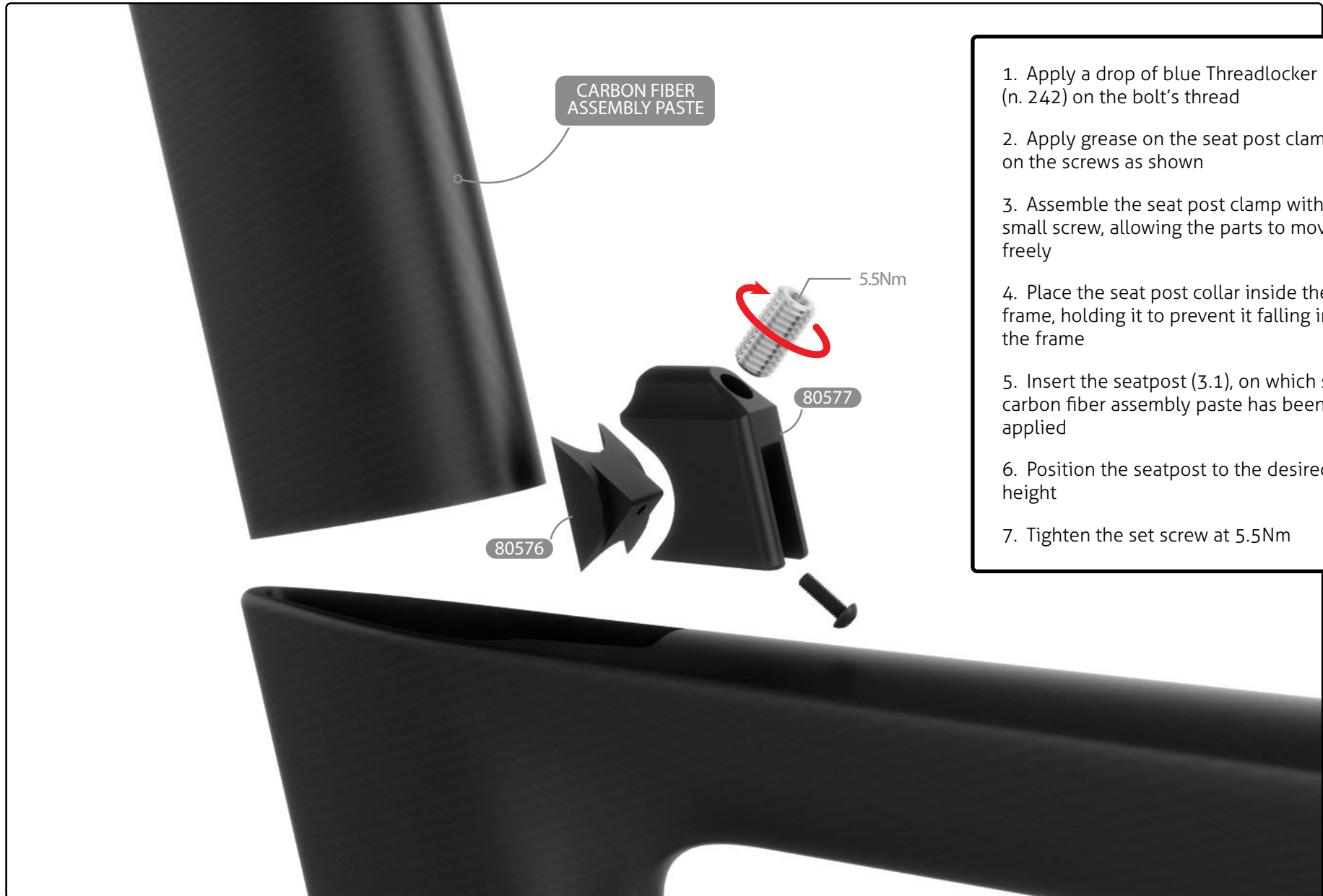


### Pursuit Fork

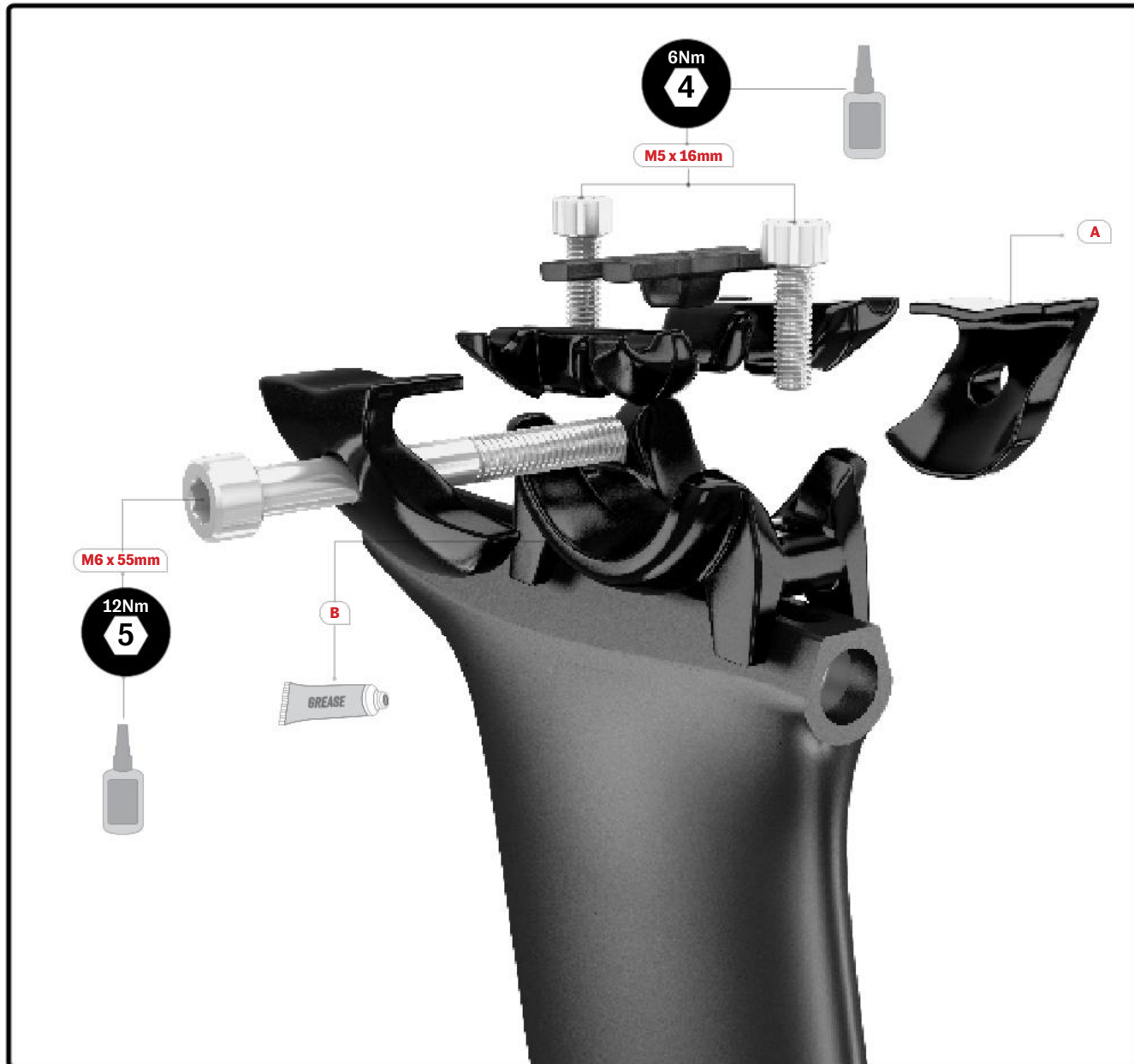
Thru Axle : 15mm x 40mm



 **Pursuit fork** is a accessory component that need to be ordered seperatly. It is **not included** in the frameset.



1. Apply a drop of blue Threadlocker (n. 242) on the bolt's thread
2. Apply grease on the seat post clamp and on the screws as shown
3. Assemble the seat post clamp with the small screw, allowing the parts to move freely
4. Place the seat post collar inside the frame, holding it to prevent it falling inside the frame
5. Insert the seatpost (3.1), on which some carbon fiber assembly paste has been applied
6. Position the seatpost to the desired height
7. Tighten the set screw at 5.5Nm



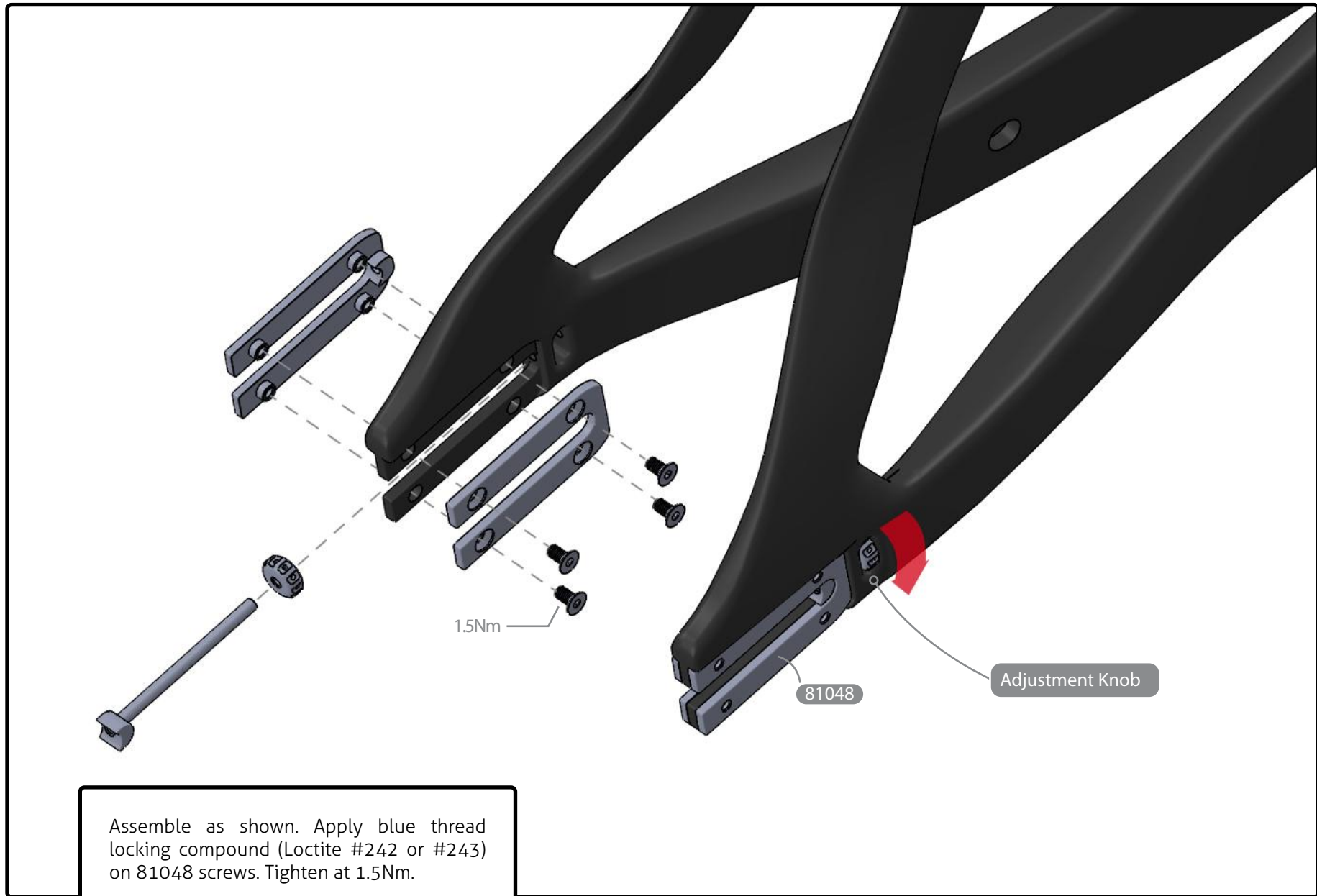
The seat post is supplied fully assembled.

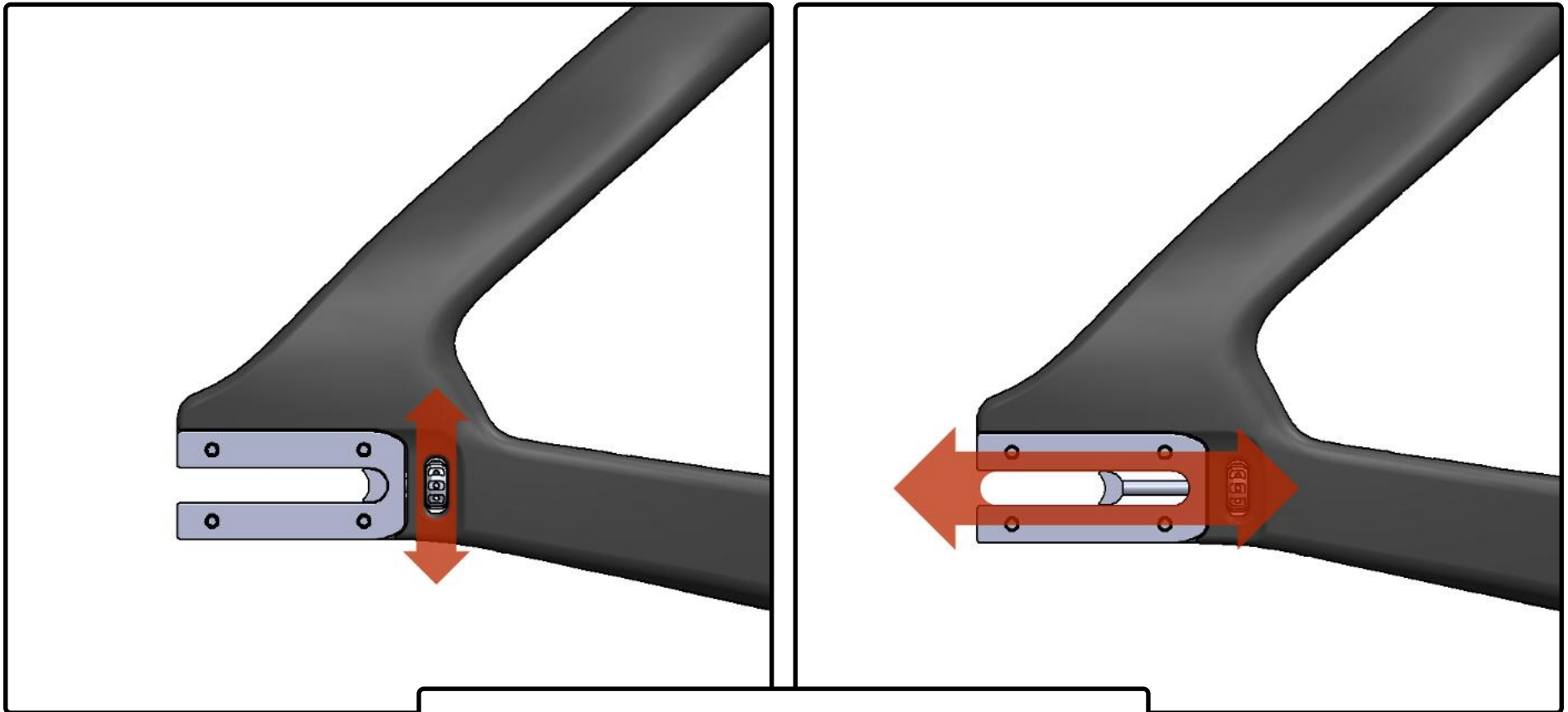
1. Apply a drop of blue Threadlocker (n. 242) on the M5 x 16mm screw thread.
2. Loosen the two M5 x 16mm screw to allow the seat post head assembly to slide.
3. Apply a drop of blue Threadlocker (n. 242) on the M5 x 16mm screw thread.
4. Position the seat post head at the desired position and tighten the two M5 x 16mm screw to 6 Nm.
5. Unscrew the M6 x 55mm as far as possible without fully removing from the lock nut (a).
6. Apply a drop of blue Threadlocker (n. 242) on the M6 x 55mm screw thread.
7. Apply Carbon paste on the curved face of the lower part (b)
8. Install the saddle rails into the seatpost clamp.
9. Adjust the angle of the saddle and tighten the M6 x 55mm screw at 12Nm.



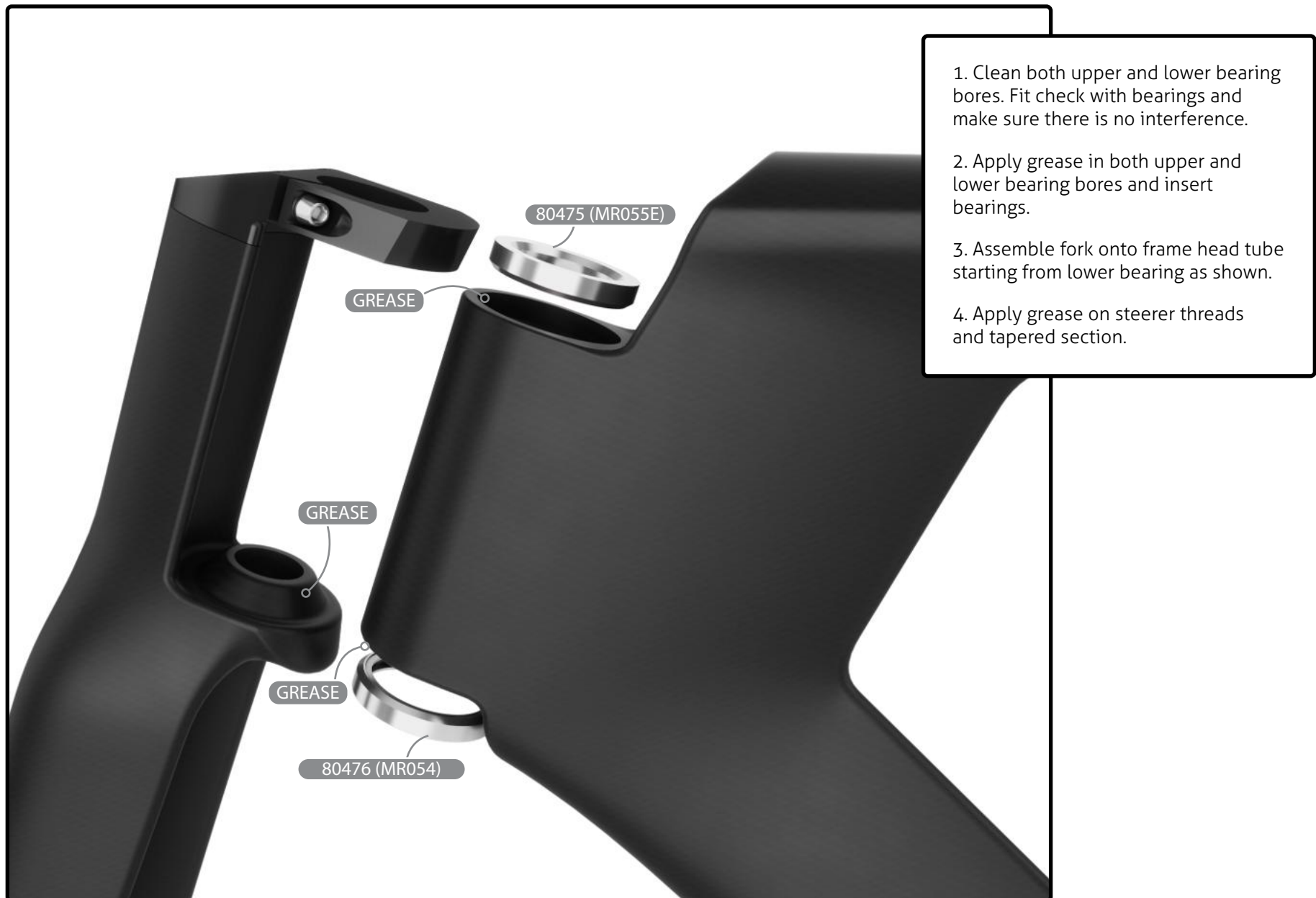
### IMPORTANT:

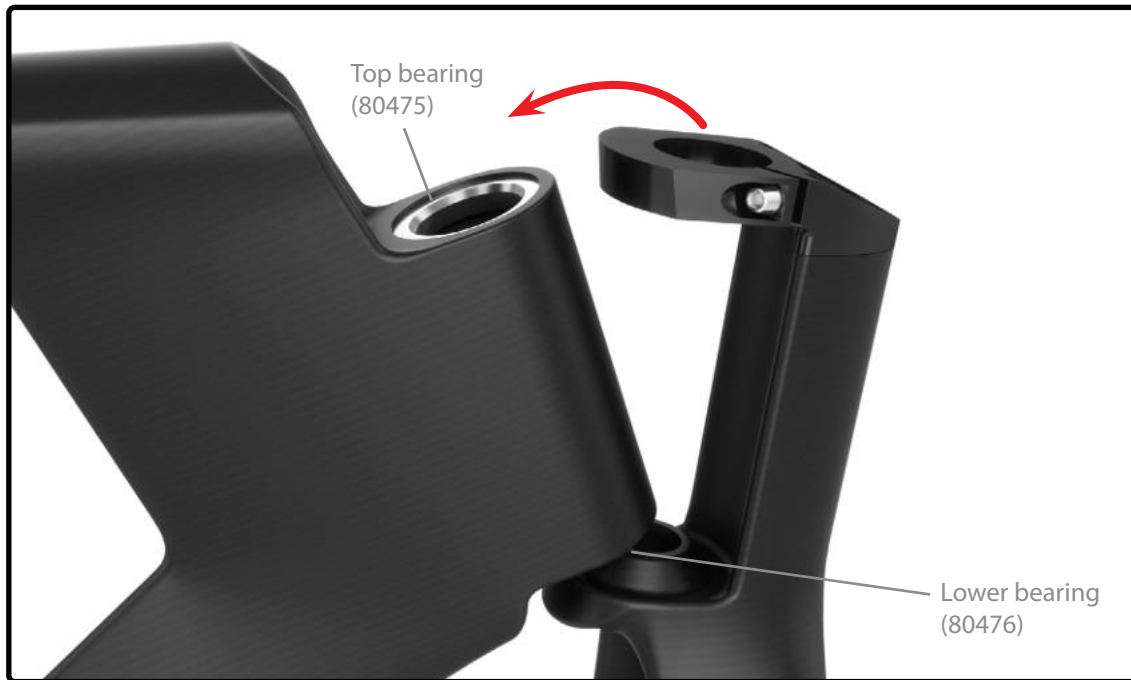
The Electron Pro saddle rail clamp is made for 7mm round-shaped saddle rails (Ritchey part number: 55055467004). For other types of saddle rails, select one of the following Ritchey component: 41055467003 for 8x8.5mm saddle rails and 41055467002 for 7x9.6mm saddle rails.



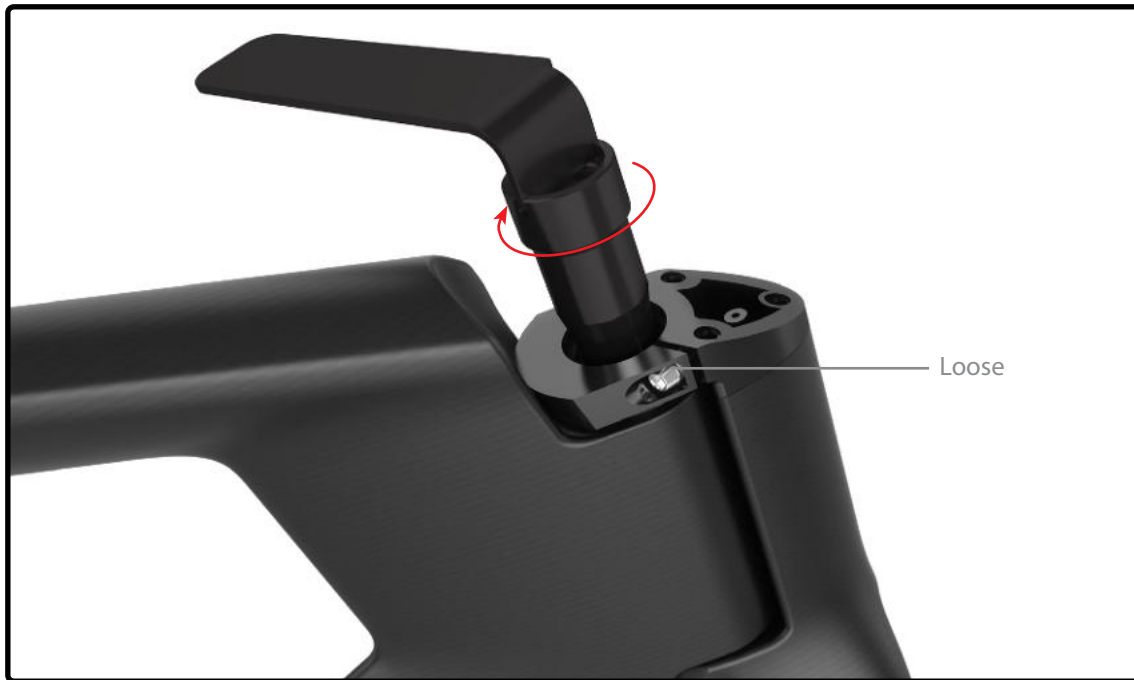


Turning the adjustment knob will allow you to set your dropouts to the desired position. This allow the bike to keep the perfect chain tension and wheel alignment every time.





5. Screw in steerer. Make sure fork collar screw is loosened.
6. Lightly compress fork bearings until there is no possible movement but can rotate fork without any restriction. Use provided L-Tool to compress bearings.  
  
Note: Steerer top should sit lower than top surface (approx. 1-2mm clearance, see next page.)
7. Tighten fork collar bolt (M5) at 5.5Nm to lock steerer in place.





1. Assemble Steerer Module using bolts provided (2x front M6x14 + 1x central M6x45). Make sure washer is placed under central bolt. Grease and tighten all bolts at 9Nm. Use an extended M5 Hex bit or extension to access central bolt.

2. Assemble the Module Cover using the Button Head Screw (1x BHCS M6x12) and a 4mm Hex key. Grease the screw and tighten at 6Nm with a torque wrench.

**Note: you might want to temporarily set up the steerer module in order to fit rider, determine stem height position, and cut line prior to tightening bolts (see instructions on following page).**





3. The design of the steerer module allows it to be cut to length based on stem height position, similar to a standard fork steerer. You will need to cut the aluminum steerer as shown (use standard steerer cutting jig).

4. File down and cut end of steerer clean to make sure it is free of burr.

5. Insert stem, align with wheel and compress down using top cap and 8mm Hex Key.

6. Tighten stem according to manufacturer's instructions.

7. Install preferred drop bar onto stem as per manufacturer's instructions.



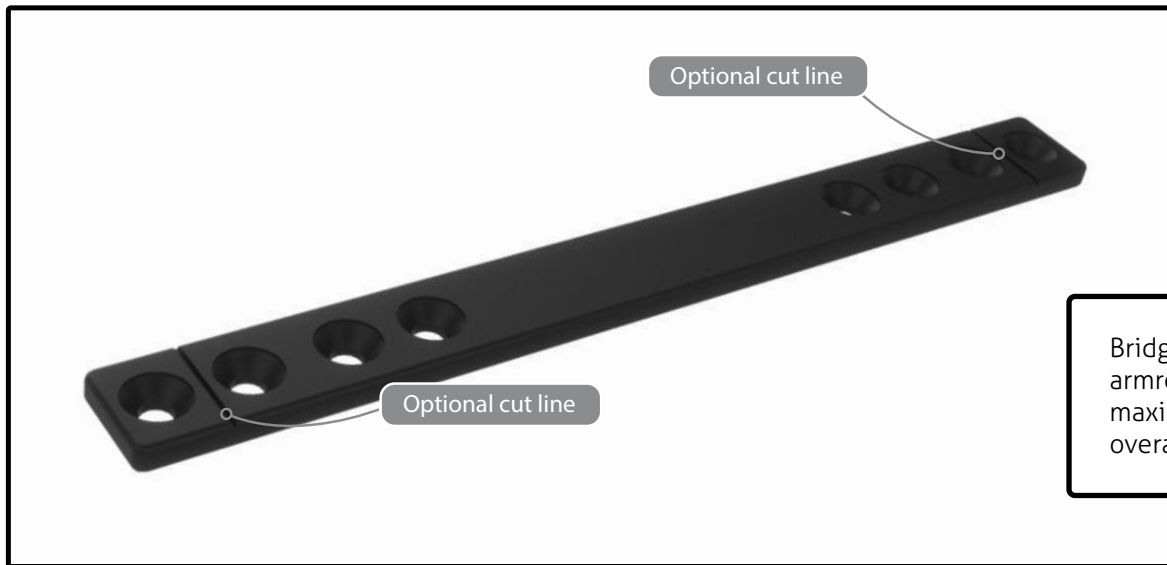


1. Assemble aerobar with provided M6 screws (2x 20mm, 1x 30mm and 1x 40mm). Apply dab of grease under all bolt heads and threads.

2. Tighten all bolts at 12Nm.

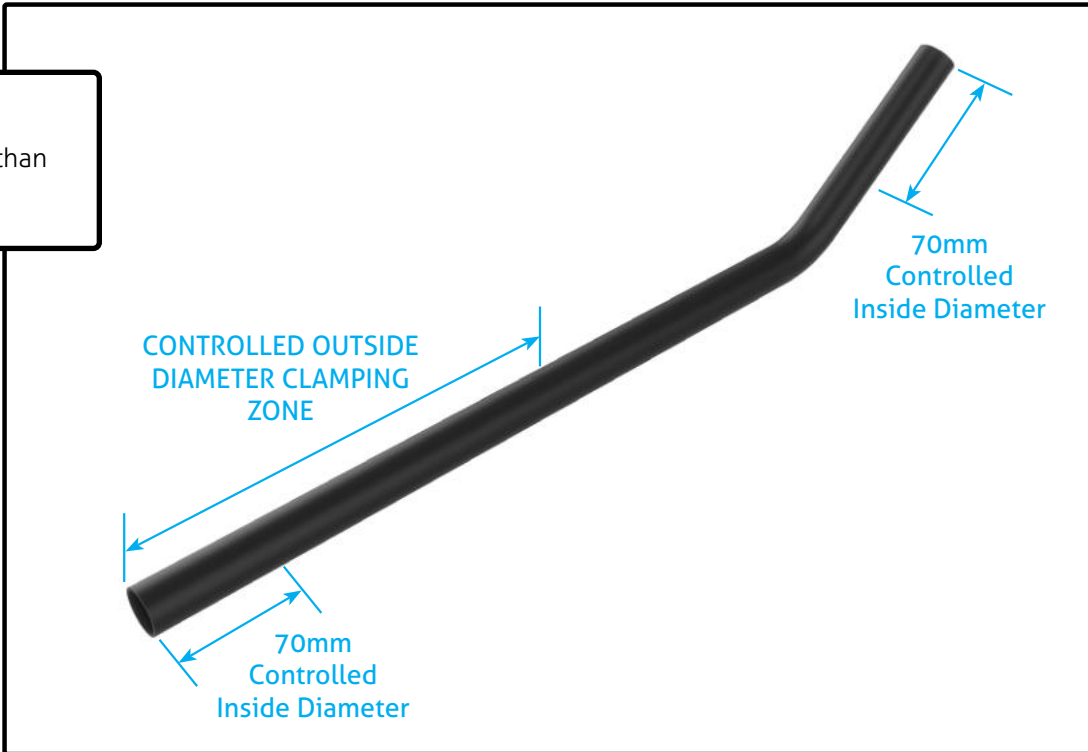
3. Install screw cover with provided M3 screws.

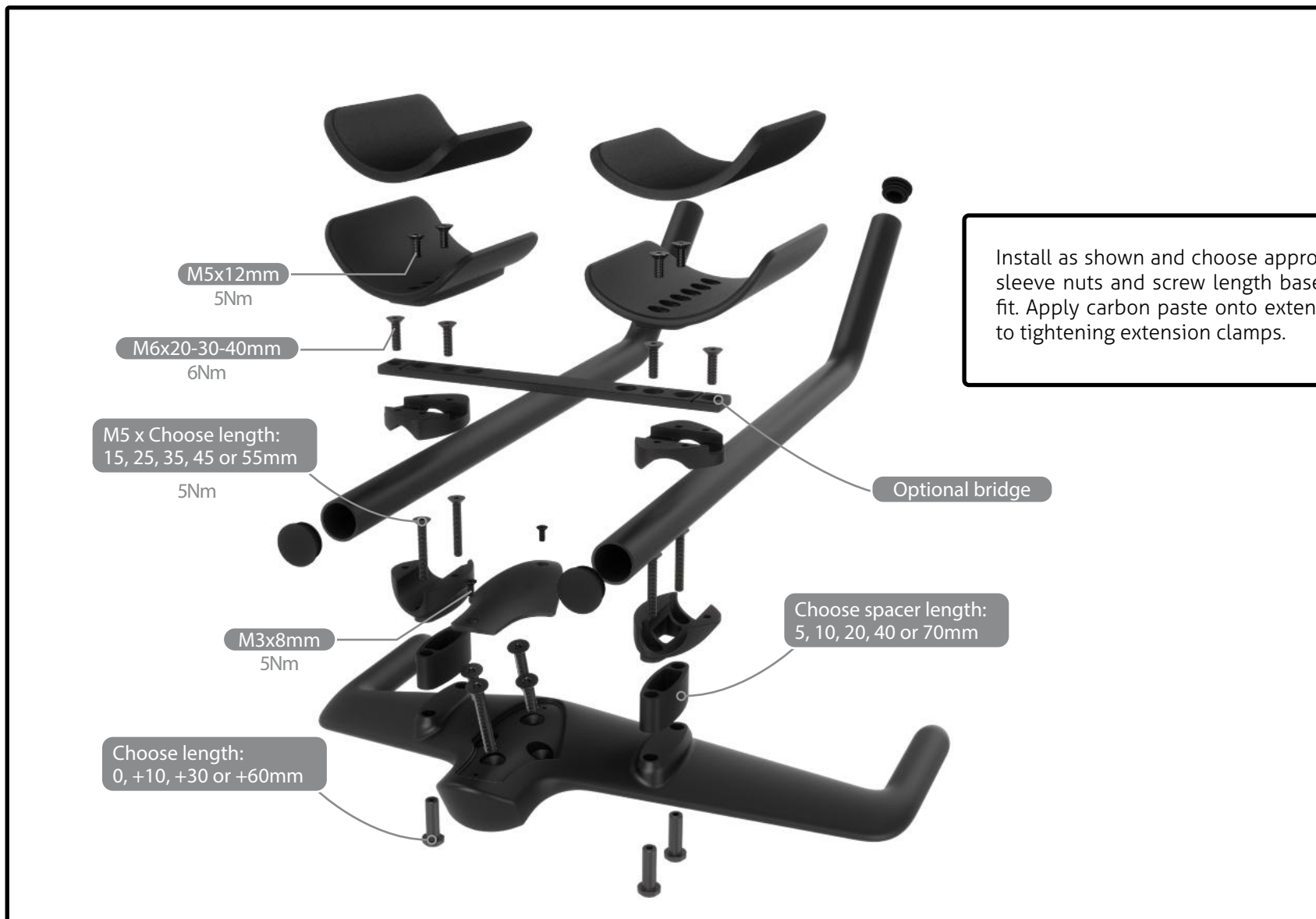




Bridge is optional and can be installed to increase armrest lateral stiffness (e.g.: when set up at maximum height.) It also can be cut to reduce overall length (cut at marked lines.)

Cut the extension bars at the desired length.  
Note that end-plugs might not fit well if you cut more than 70mm. Apply carbon fibre paste in the clamping area.





Install as shown and choose appropriate spacers, sleeve nuts and screw length based on required fit. Apply carbon paste onto extension bars prior to tightening extension clamps.

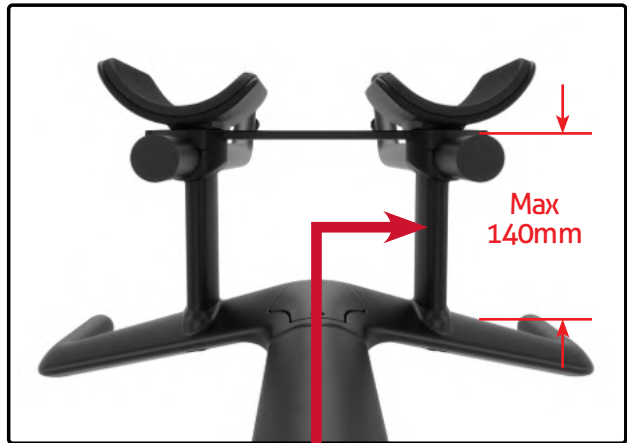


Flip the extension clamps 180 degrees to change extension width. (120mm/150mm)

The design of the extension clamps allows the extension bars to have 2 width positions :  
Center-to-center : 120mm / 150mm



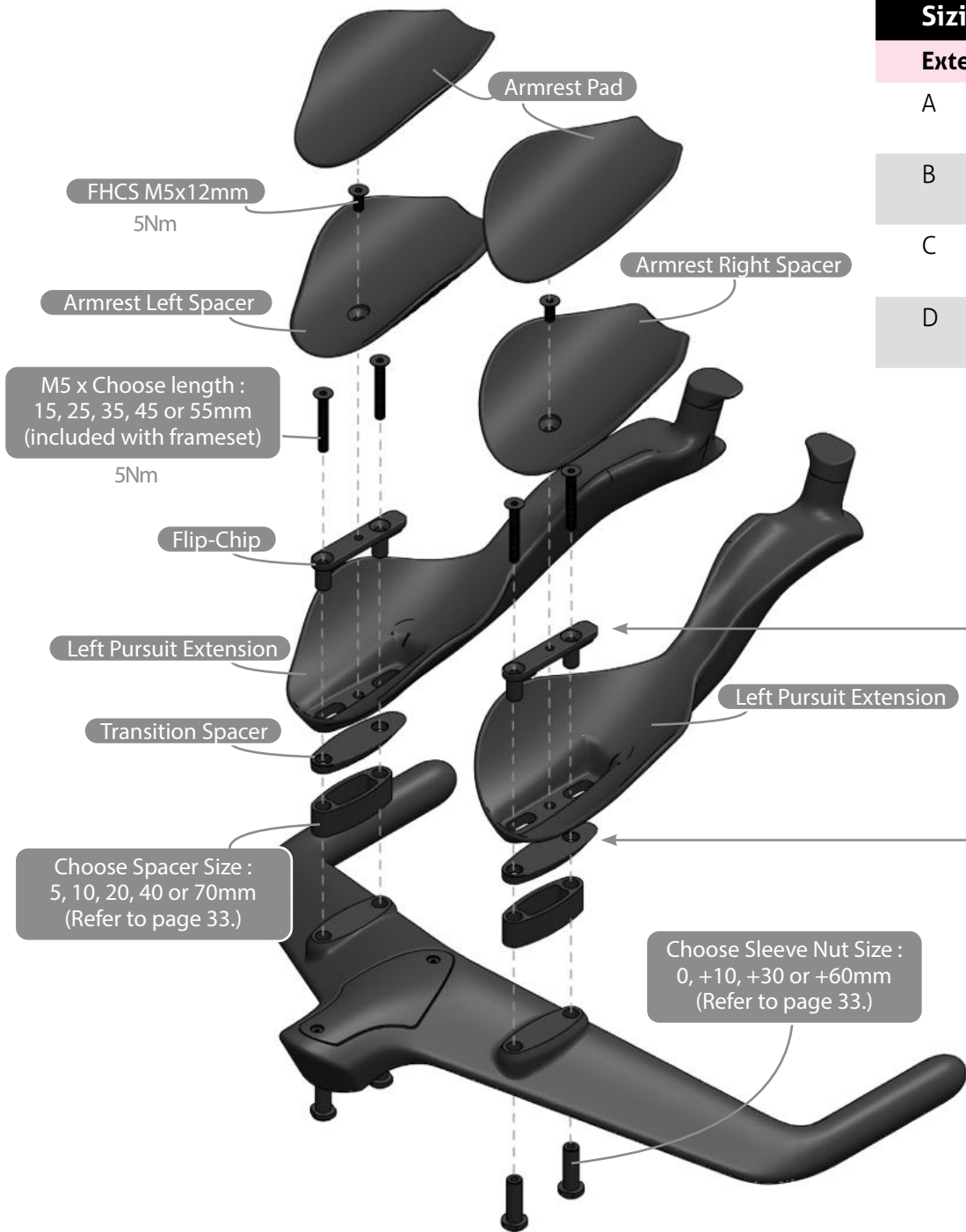
**Make sure to have a 10mm minimum insertion between the sleeve nut and the FHCS screws.**



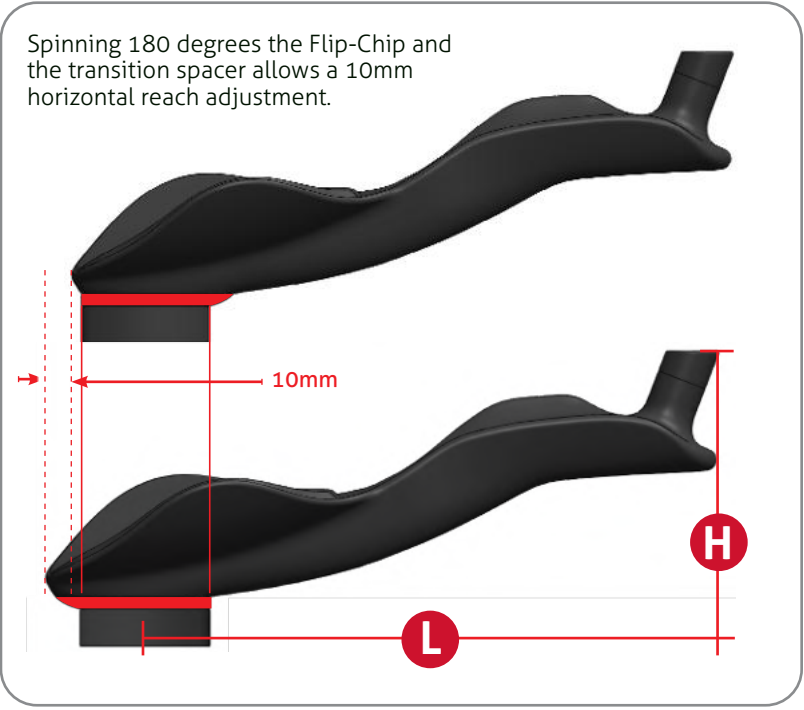
**100mm spacer stack maximum**

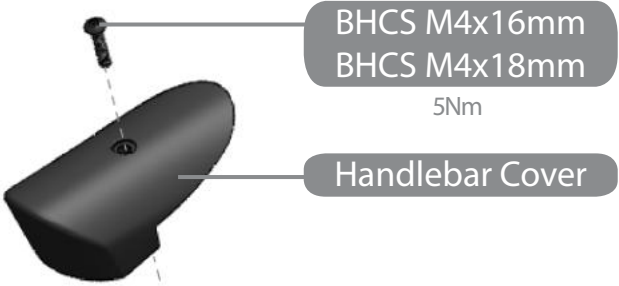
# ELECTRON PRO TKO: 12. Pursuit Bars Assembly

# ARGON 18

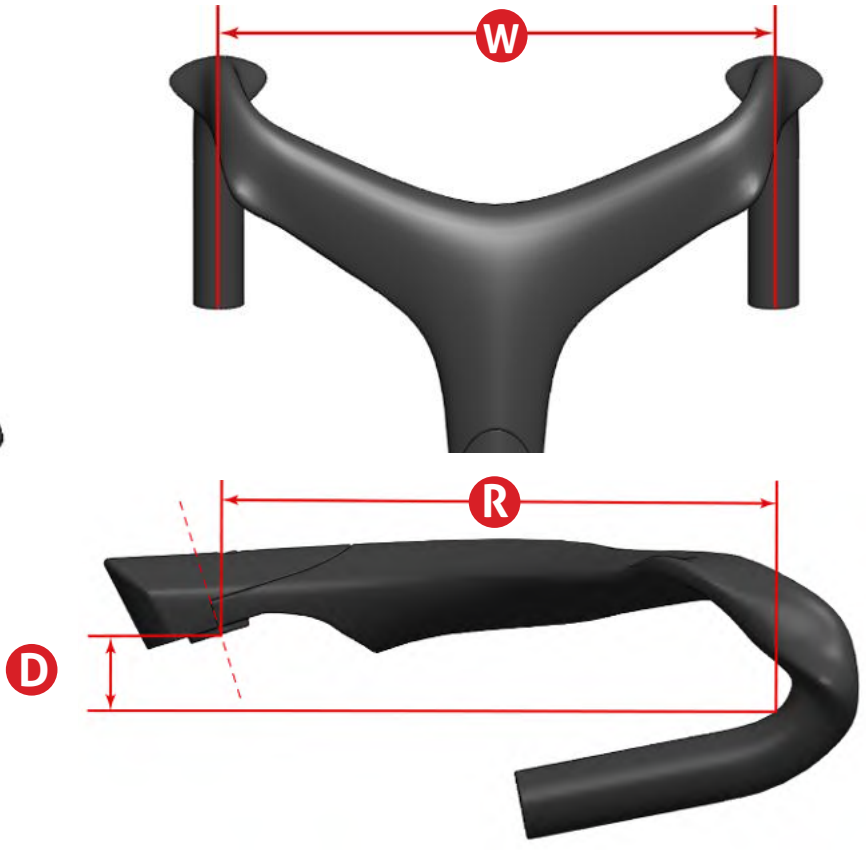


| Sizing Chart* |            |            | Part #                   |
|---------------|------------|------------|--------------------------|
| Extensions    | L (Length) | H (Height) |                          |
| A             | 240mm      | 104mm      | FB10-4001A<br>FB10-4002A |
| B             | 260mm      | 112mm      | FB10-4001B<br>FB10-4002B |
| C             | 280mm      | 120mm      | FB10-4001C<br>FB10-4002C |
| D             | 300mm      | 128mm      | FB10-4001D<br>FB10-4002D |





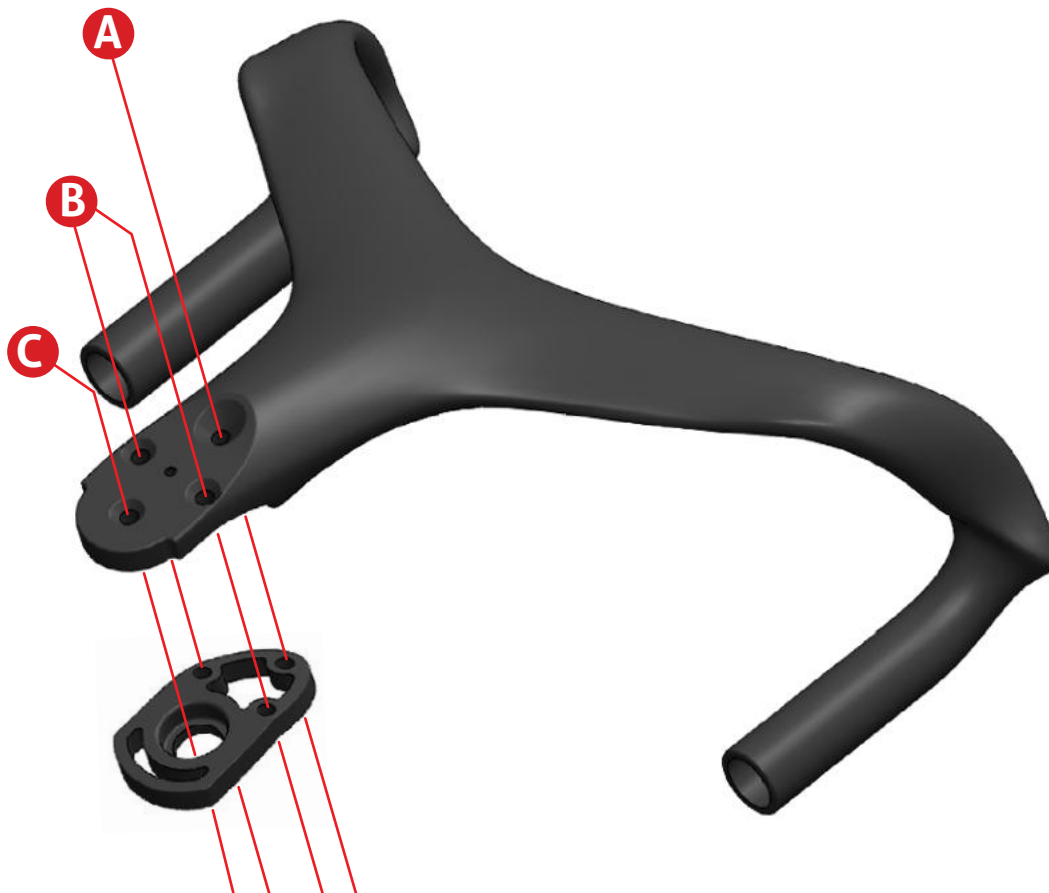
| Sizing Chart* |           |          |           | Part #     |
|---------------|-----------|----------|-----------|------------|
| Handlebar     | W (Width) | D (Drop) | R (Reach) |            |
| A             | 320mm     | 53mm     | 253mm     | FB11-4001A |
| B             | 300mm     | 30mm     | 225mm     | FB11-4000B |
| C             | 320mm     | 30mm     | 254mm     | FB11-4000C |





| Stack Chart* |             |             |             |                    |
|--------------|-------------|-------------|-------------|--------------------|
| Stack        | A           | B           | C           | Spacers            |
| 0mm          | 1 x M6x30mm | 2 x M6x20mm | 1 x M6x40mm | -                  |
| 5mm          | 1 x M6x35mm | 2 x M6x25mm | 1 x M6x45mm | 1 x 5mm            |
| 10mm         | 1 x M6x40mm | 2 x M6x30mm | 1 x M6x50mm | 1 x 10mm           |
| 15mm         | 1 x M6x45mm | 2 x M6x35mm | 1 x M6x55mm | 1 x 5mm + 1 x 10mm |
| 20mm         | 1 x M6x50mm | 2 x M6x40mm | 1 x M6x60mm | 2 x 10mm           |
| 25mm         | 1 x M6x55mm | 2 x M6x45mm | 1 x M6x65mm | 1 x 5mm + 1 x 10mm |
| 30mm         | 1 x M6x60mm | 2 x M6x50mm | 1 x M6x70mm | 1 x 5mm + 2 x 10mm |

**Tighten all at 12Nm**



## 30mm stack adjustment

