

ARGON 18



VALID FOR MY2023 VERSION / 07-03-2023- KRYPTON PRO / KRYPTON 364A / 365A-B

KRYPTON PRO

ARGON 18



VALID FOR MY2023 VERSION / 07-03-2023- KRYPTON PRO / KRYPTON 354A / 355A-B

KRYPTON

ARGON 18



VALID FOR MY2023 VERSION / 07-03-2023- KRYPTON PRO / KRYPTON 364A / 365A-B

KRYPTON

TABLE OF CONTENTS

1. Tools Needed & Spare Parts Kit	5
2. Troubleshooting / Tips & Specifications	6
3. Frameset Inspection	7
4. Frameset Skus & Descriptions Krypton Pro	8-9
5. Frameset Skus & Descriptions Krypton	10-11
6. Seat Post Installation	12
7. Seat Post Min. & Max. Insertion	13
8. Seat Post Assembly	14-15
9. Rear Derailleur Hanger Assembly	16
10. Front Derailleur Hanger Assembly	17
11. 3D Headset Installation	18
12. Cable and Housing Routing – Mechanical 1X Shifting	19-20
13. Cable and Housing Routing – Mechanical Shifting	21-23
14. Cable and Housing Routing – Electronic Wireless	24-25
15. Cable and Housing Routing – Electronic Wire	26-28
16. Cable and Housing Routing – Dropper seatpost	29
17. Downtube Cable Clamp Installation	30
18. Bottom Bracket Cover Installation	31
19. Fork Installation	32
20. Toolkit Installation	33-36
21. Bottle Cage Position	37
22. Rear Rack And Fender Installation	38-39
23. Front Fender Installation	40

To maintain the validity of the warranty, the bicycle must be fully assembled by an authorized Argon 18 dealer. High-end components, particularly carbon parts, require extra care during assembly.

These components must be installed using a torque wrench to ensure each bolt is at the specified torque setting to prevent damage.



MY KRYPTON

Date of Purchase: _____

Retailer: _____

Size: _____

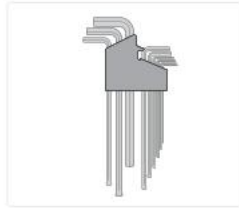
Serial Number: _____

1. TOOLS NEEDED & SPARE PARTS KIT

1. Hydraulic Hose Cutter



2. Allen Key Set



3. Flush cut plier



4. Carbon Paste & Grease



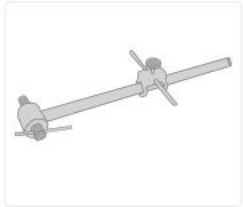
5. Utility Picks



6. Clean Rag



7. Derailleur Hanger Alignment Gauge



8. Cables and Housing Cutter



9. Thread Locker Medium strength



10. Isopropyl Alcohol



11. Torque Wrench



12. Headset Press



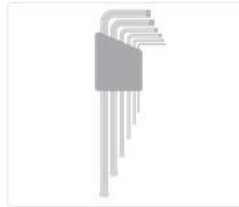
13. 8mm Wrench



14. Bleed Kit



15. Torx Key Set



16. Mineral Oil



SPARE PARTS KIT



IMPORTANT:

Spare Parts Kit: Essential parts to always have on hand IN CASE OF EMERGENCY... THIS MIGHT SAVE YOUR RIDE!

1. Seat Post Clamp



200922
80801

2. Spare Rear Derailleur Hanger



200919
100147



200920
100148



200921
100149



200855

2. TROUBLESHOOTING / TIPS & SPECIFICATIONS

Brakes

Front brake - 140/160mm disc rotors

Rear brake - 140/160mm disc rotors

Rear mount thickness: 20mm.

Tire Clearance

700c : Maximum clearance: 700x40c. Tires must be no wider than 43mm for both front and rear wheels.

Tire clearance is affected by crank and front derailleur choice.

Brand	Front Derailleur	Width	Type	Max tire size
Shimano	R9100 / R8000	Standard	Mechanical	700x40c / 43mm
	R9250 / R8150	Standard	Electronic	700x35c / 38mm
	GRX RX810 / RX400	Wide	Mechanical	700x40c / 43mm
	GRX RX815	Wide	Electronic	700x40c / 43mm
SRAM	Red / Force	Standard	Mechanical	700x40c / 43mm
	Red / Force AXS*	Standard	Electronic	700x38c / 41mm
	Force AXS Wide*	Wide	Electronic	700x40c / 43mm

* Without wedge

Seat Post

Ø 27.2mm

Bottom Bracket

Threaded T47, 86mm width

Headset

A18 3D IST2

Bottom Bearing: MR127 - 1 1/2", 36° x 45° Stainless Steel

Top Bearing: MR127 - 1 1/2", 36° x 45° Stainless Steel

*Some systems may require a 1 1/2", 45° x 45° top bearing

For more information, please refer to: [Argon 18 - Internal routing compatibility](#)

Chainring

The Krypton can run a 50-34T chainring maximum.

A chainring of 48T maximum can be installed in 1x configuration.

Seat Post Collar

Ø 31.8mm

Front Derailleur

The Krypton can be used with a front derailleur.

Accessories

The Krypton is designed to take fenders and a rear rack up to 27kg. With fenders, tire clearance is reduced by 5mm, 700x35C, no wider than 38mm.

Please contact customer service at info@argon18.com for any further inquiries.

3. FRAMESET INSPECTION

Before assembling your new Krypton, please complete the following:

1. Verify frameset parts checklist (see p.7-8)
2. Inspect the frame for cosmetic defects (scratches, bumps, cracks, paint defects, etc.)
3. For reference, record serial number on p.3



Some of the following parts are already assembled on the frame. When assembling the bike, you will need to adjust these parts according to their torque specifications and fastener conditions when necessary.

4. Verify you have all the necessary bolts (refer to frameset parts, p.7-8)
5. For optimal shifting performance, use a derailleur alignment gauge to make sure that the derailleur hanger is straight.

No.	A18 SKU#	Function	Description	Screw Type	Torque	Detail	Qty
1	81052 or 100160	Front Thru Axle	M12 x 1.5 x 119mm Axle	Thru Axle	10 Nm	Grease	1
2	81053 or 100161	Rear Thru Axle	M12 x 1.5 x 161mm Axle	Thru Axle	10 Nm	Grease	1
3	200855	Rear Derailleur Hanger Screw	M4 x 12mm Screw	Flat Head Torx	Hand Tight	Threadlocker	1
4	200815* or 200917* (81248)	Front Derailleur Hanger Screw	M5 x 16mm Screw	Flat Head	3 Nm	Grease	2
5	80801* or 200922*	Seatpost Collar Screw	M5 x 22mm Screw	Socket Head	4 Nm	Grease	1
6	38884	Water Bottle Screw	M5 x 14mm Screw	Button Head	3 Nm	Grease	4
7	SP.KR.365A*	Front Saddle Clamp Screw	M8 x 35mm Screw	-	9.5 Nm	Grease	1
8	SP.KR.365A*	Rear Saddle Clamp Screw	M6 x 30mm Screw	Socket Head	9.5 Nm	Grease	1
9	SP.KRP.364A* (81143)	Saddle Clamp Screw	M5 x 40mm Screw	Socket Head	4 Nm	Grease	2
12	200830*	Front Fender Bracket Screw	M5 x 14mm Screw	Button Head	3 Nm	Grease	1
11	200830*	Rear Fender Bracket Screw	M5 x 10mm Screw	Button Head	3 Nm	Grease	2
12	200816*	Cable Clamp Screw	M5 x 18mm Screw	Flat Head	Hand Tight	Threadlocker	1
13	200821*	Door Pad Screw	M4 x 5mm Screw	Flanged Button Head	Hand Tight	Threadlocker	4
14	200820* or 200918*	Door Lever Screw	M5 x 14mm Screw	Flat Head	3 Nm	Threadlocker	1
15	200820* or 200918*	Door Locator Screw	M3 x 5mm Screw	Flat Head	Hand Tight	Threadlocker	1
16	200820* or 200918*	Door Threaded Insert Screw	M3 x 10mm Screw	Flat Head	Hand Tight	Threadlocker	2

* Included with () replacement sku

Torque Value
Allen key size

Apply **carbon paste** on the indicated surfaces.

Apply **threadlocker** on the indicated surfaces.

Apply **grease** on the indicated surfaces.

IMPORTANT:
Indicates special precautions and important steps that must be taken to avoid damage and/or injury.

Torque value:
Under-torquing may cause parts to slip and cause injury.
Over-torquing may cause screw to break and/or part to slip and cause injury.

4.1 FRAMESET SKUS AND DESCRIPTIONS KRYPTON PRO



Krypton Pro Frame
*Not available as a separate SKU



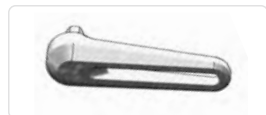
FK.KRP.S-XL.364A
FK.KRP.XXS-XS.364A



SP.KRP.364A



200831



81054



80264



80811



200922



100161



38884



200725



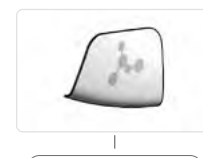
100160



200917



81240



200814



80804



200826 (364A)



200827 (364A)



100146



80805



200829



200828



81242



80985



200830



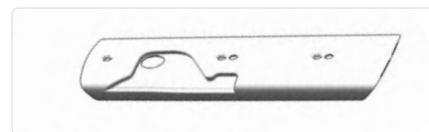
200816



80988



80551



200819 (364A)



200921



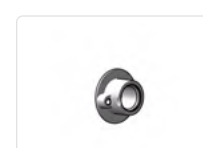
200920



200821



200918



200919



200855

Except for the frame itself, which is not sold separately as a spare part, all parts can be ordered by referring to their respective SKU number.

4.2 FRAMESET SKUS AND DESCRIPTIONS KRYPTON PRO

NO.	NAME	A18 SKU#	QTY
1	Krypton Pro Frame	-	1
2	Krypton Pro Fork 46 mm (S-XL) -OR- Krypton Pro Fork 52 mm (XXS-XS)	FK.KRP.S-XL.364A FK.KRP.XXS-XS.364A	1
3	Seatpost Krypton Pro 364A	SP.KRP.364A	1
4	Dropout DS Type B	200919	1
5	Rear Derailleur Hanger TA Type B	200920	1
6	Rear Derailleur Hanger, Direct Mount TA Type B	200921	1
7	Flat Head Cap Screw M3x8mm Torx	200855	1
8	FD Hanger Removable Forward (With Screws) 364A Copper Anodized	200917	1
9	Cable Clamp Top & Bottom (With Screw)	200816	1
10	BB Cover	100146	1
11	Chain Suck Guard - Krypton 2023	200814	1
12	Long Plug Grommet	80804	3
13	Long Grommet Di2	80805	2
14	Long Grommet Mechanical	80985	2
15	FD Plug	81240	1
16	Rear Brake Oblong Cable Guide	80551	1
17	FD Cable Stopper	81242	1
18	IST2 Krypton Pro SRS Custom Headset Cap	200826 (364A)	1
19	IST2 Krypton Pro 25mm Headset Cap	200827 (364A)	1
20	IST2 Krypton Headset Column 25mm	200828	1
21	IST2 Headset Sleeve	200829	1
22	Socket Head Cap Screw For Water Bottle M5x14mm	38884	6
23	Krypton Pro Toolkit Door	200819 (364A)	1
24	Krypton Toolkit Backbone Kit	200918	1
25	Krypton Toolkit Door-Pads Kit	200821	1
26	GW Front Thru Axle 12mm Lite & Hollow	100161	1
27	GW Rear Thru Axle 12mm Lite & Hollow	100160	1
28	Removable Lever For GW Thru Axle 12mm	81054	1
29	Plastic Plug For Water Bottle Eyelet	80264	13
30	Foam Liner For Hydraulic Hose	80811	3
31	Dirt Guard Kit, Two Parts	80988	1
32	Seatpost Collar	200922	1
33	Di2 Battery Holder (BT-DN300) For 27.2mm SP	200725	1 Set
34	Krypton Fender Bracket Kit	200830	1 Set
35	Krypton Pro Toolkit	200831	1

5.1 FRAMESET SKUS AND DESCRIPTIONS KRYPTON



Krypton Frame
*Not available as a separate SKU



FK.KR.S-XL.365A
FK.KR.XXS-XS.365A
FK.KR.S-XL.365B
FK.KR.XXS-XS.365B



SP.KR.365A



200832



81054



80264



81052



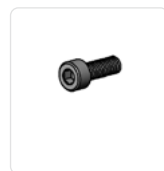
80811



80801



81053



38884



200725



200815



81240



200822 (365A)
200824 (365B)



200823 (365A)
200825 (365B)



200829



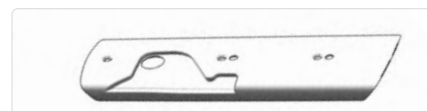
200828



200830



200816



200817 (365A)
200818 (365B)



200821



200820



200814



80804



100146



80805



81242



80985



80988



80551



100149



100148



100147



200855

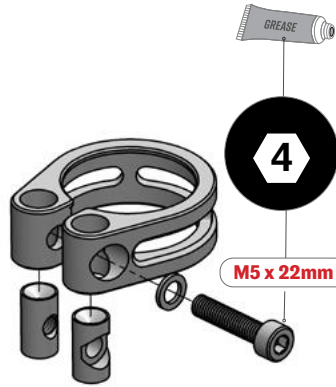
Except for the frame itself, which is not sold separately as a spare part, all parts can be ordered by referring to their respective SKU number.

5.2 FRAMESET SKUS AND DESCRIPTIONS KRYPTON

NO.	NAME	A18 SKU#	QTY
1	Krypton Frame	-	1
2	Krypton Fork 46 mm (S-XL) -OR- Krypton Fork 52 mm (XXS-XS)	FK.KR.S-XL.365A FK.KR.S-XL.365B FK.KR.XXS-XS.365A FK.KR.XXS-XS.365B	1
3	Seatpost Krypton 365A	SP.KR.365A	1
4	Dropout DS Type B	100147	1
5	Rear Derailleur Hanger TA Type B	100148	1
6	Rear Derailleur Hanger, Direct Mount TA Type B	100149	1
7	Flat Head Cap Screw M3x8mm Torx	200855	1
8	FD Hanger Removable Forward (With Screws)	200815	1
9	Cable Clamp Top & Bottom (With Screw)	200816	1
10	BB Cover	100146	1
11	Chain Suck Guard - Krypton 2023	200814	1
12	Long Plug Grommet	80804	3
13	Long Grommet Di2	80805	2
14	Long Grommet Mechanical	80985	2
15	FD Plug	81240	1
16	Rear Brake Oblong Cable Guide	80551	1
17	FD Cable Stopper	81242	1
18	IST2 Krypton SRS Custom Headset Cap	200822 (365A) 200824 (365B)	1
19	IST2 Krypton 25mm Headset Cap	200823 (365A) 200825 (365B)	1
20	IST2 Krypton Headset Column 25mm	200828	1
21	IST2 Headset Sleeve	200829	1
22	Socket Head Cap Screw For Water Bottle M5x14mm	38884	6
23	Krypton Toolkit Door	200817 (365A) 200818 (365B)	1
24	Krypton Toolkit Backbone Kit	200820	1
25	Krypton Toolkit Door-Pads Kit	200821	1
26	GW Front Thru Axle 12mm	81052	1
27	GW Rear Thru Axle 12mm	81053	1
28	Removable Lever For GW Thru Axle 12mm	81054	1
29	Plastic Plug For Water Bottle Eyelet	80264	13
30	Foam Liner For Hydraulic Hose	80811	3
31	Dirt Guard Kit, Two Parts	80988	1
32	Seatpost Collar	80801	1
33	Di2 Battery Holder (BT-DN300) For 27.2mm SP	200725	1 Set
34	Krypton Fender Bracket Kit	200830	1 Set
35	Krypton Toolpouch	200832	1

6. SEATPOST INSTALLATION

80801
200922

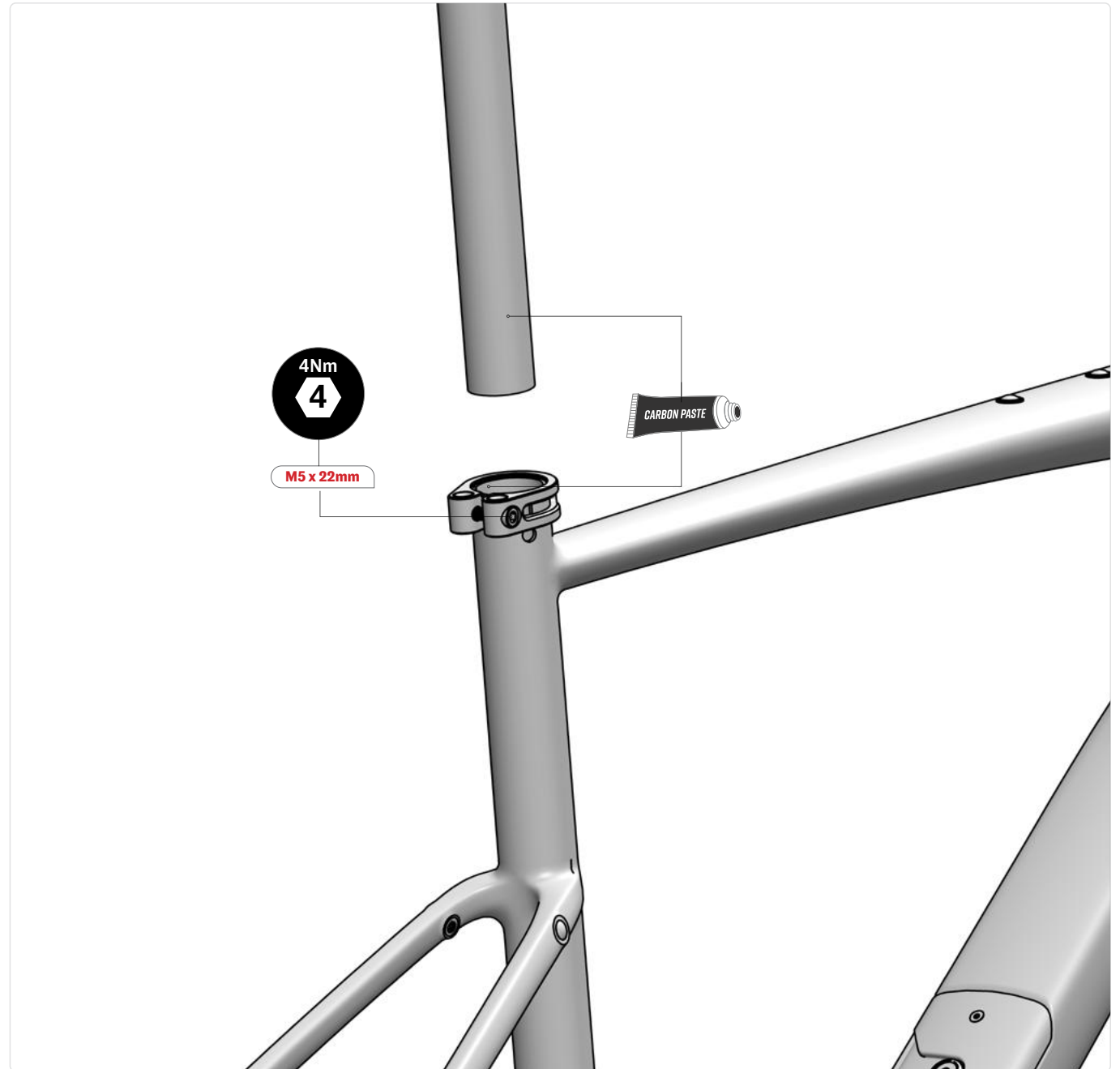


1. Apply grease on the threads of the M5 x 22mm socket head screw.
2. Assemble the seat post collar (80801 or 200922) as shown.
3. Adjust the seatpost to the desired height. Make sure to follow the seatpost min and max insertion limits. (p. 13)
4. Tighten the M5 x 22mm socket head screw on the seatpost clamp to 4Nm.



IMPORTANT:

Refer to p.13 for seatpost **MIN** and **MAX** insertion limits.



7. SEATPOST MIN. & MAX. INSERTION



Refer to the adjacent table for details on saddle height and seatpost insertion limits:

i. The correct frame size must be determined according to the saddle height limits.

- A. Maximum Saddle Height.
- B. Minimum Saddle Height.

ii. Depending on the size of the frame and the desired saddle height, the seatpost might need to be cut.

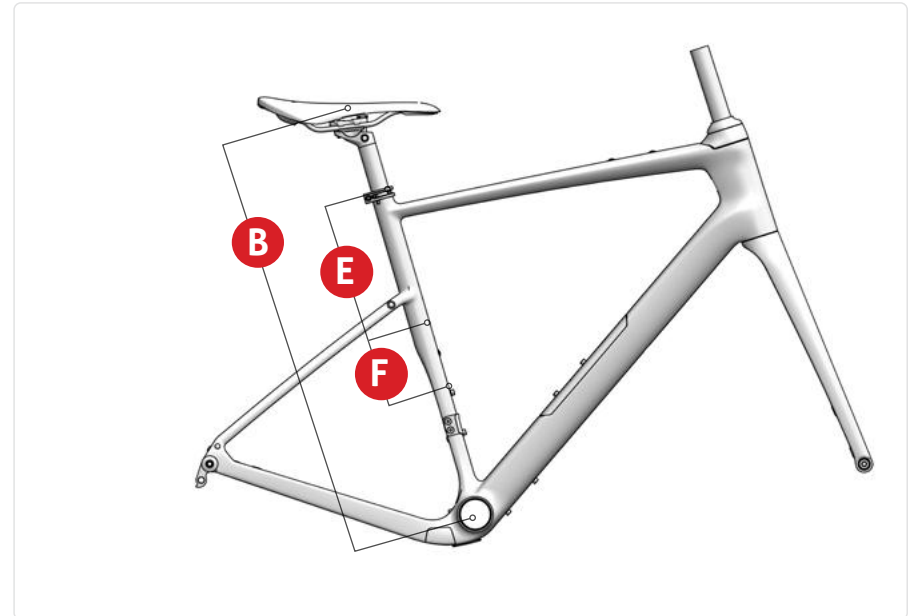
If the desired saddle height is lower than value "C", calculate the required cutting length "G" as follow:

$$G = C - \text{"Desired saddle height"} + 10\text{mm (to allow adjustment)}$$

Example: For a desired saddle height of 635mm on a XX-Small frame, the required minimum seatpost cut length (G) is:

$$G = 666 - 635 + 10 = 41 \text{ mm}$$

Important: The saddle height can't be lower than value "B".



SADDLE HEIGHT LIMITS (MM)

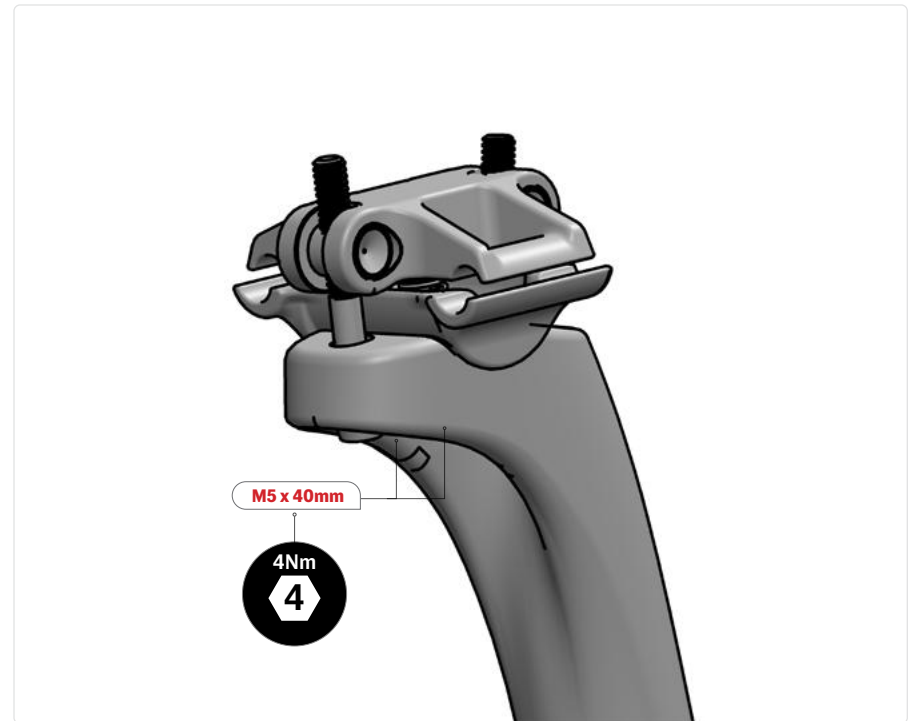
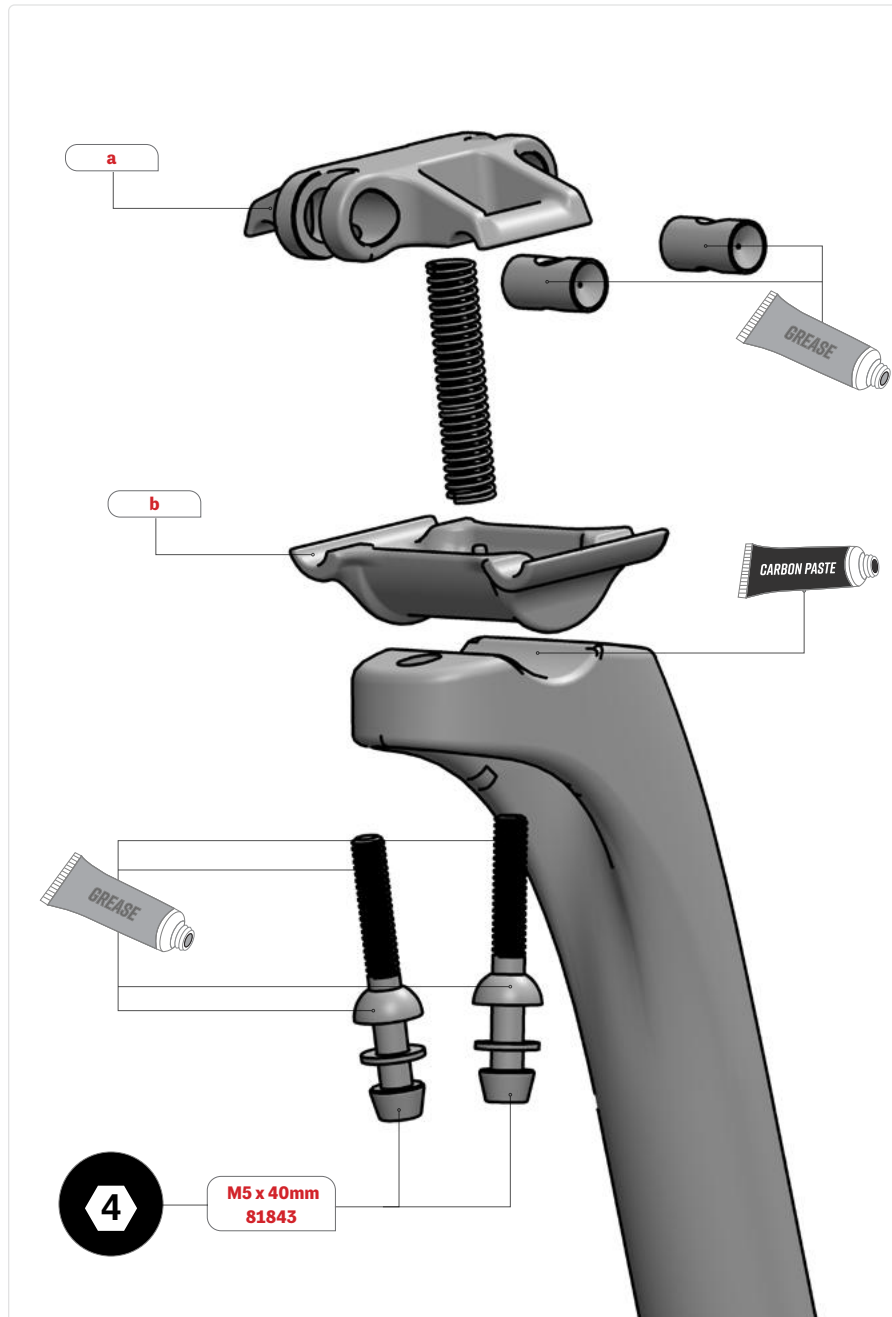
SIZE	Max Saddle Height	Min Saddle Height	Min Saddle Height (Without cut)	Min Seatpost Insert	Max Seattube Insert	Max Seat-tube Cut
	A	B	C	D	E	F
XX-SMALL	740	590	666	80	154	76
X-SMALL	770	620	670	80	180	50
SMALL	805	655	672	80	213	17
MEDIUM	840	690	690	80	242	0
LARGE	875	725	725	80	274	0
X-LARGE	910	760	760	80	300	0

Based on saddle with 50mm between center of rail to top.



Minimum Seatpost Insertion: 80mm
Maximum Seatpost Cut: 115 mm

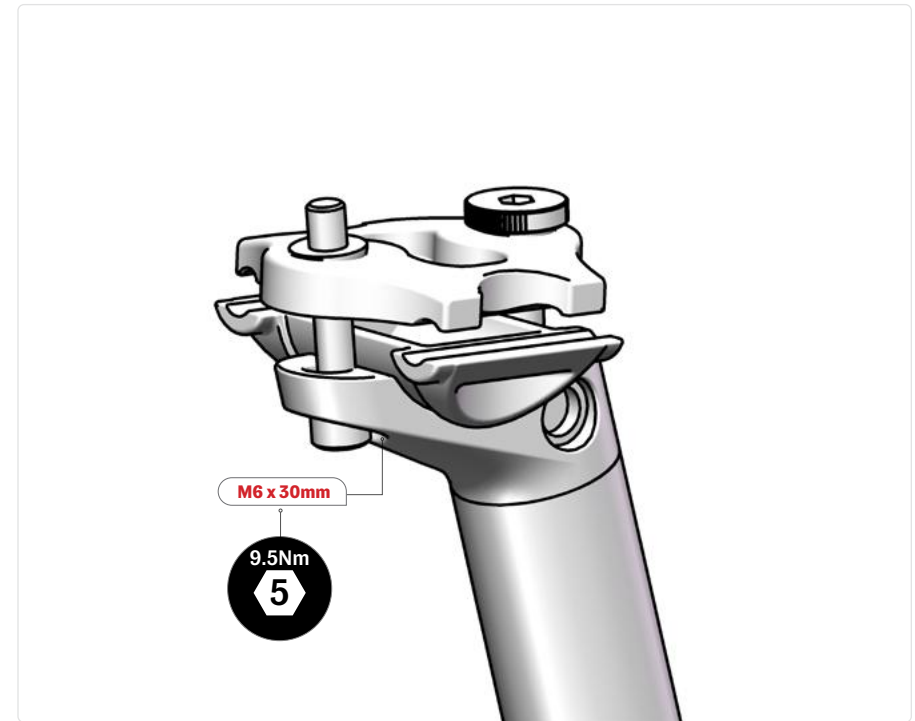
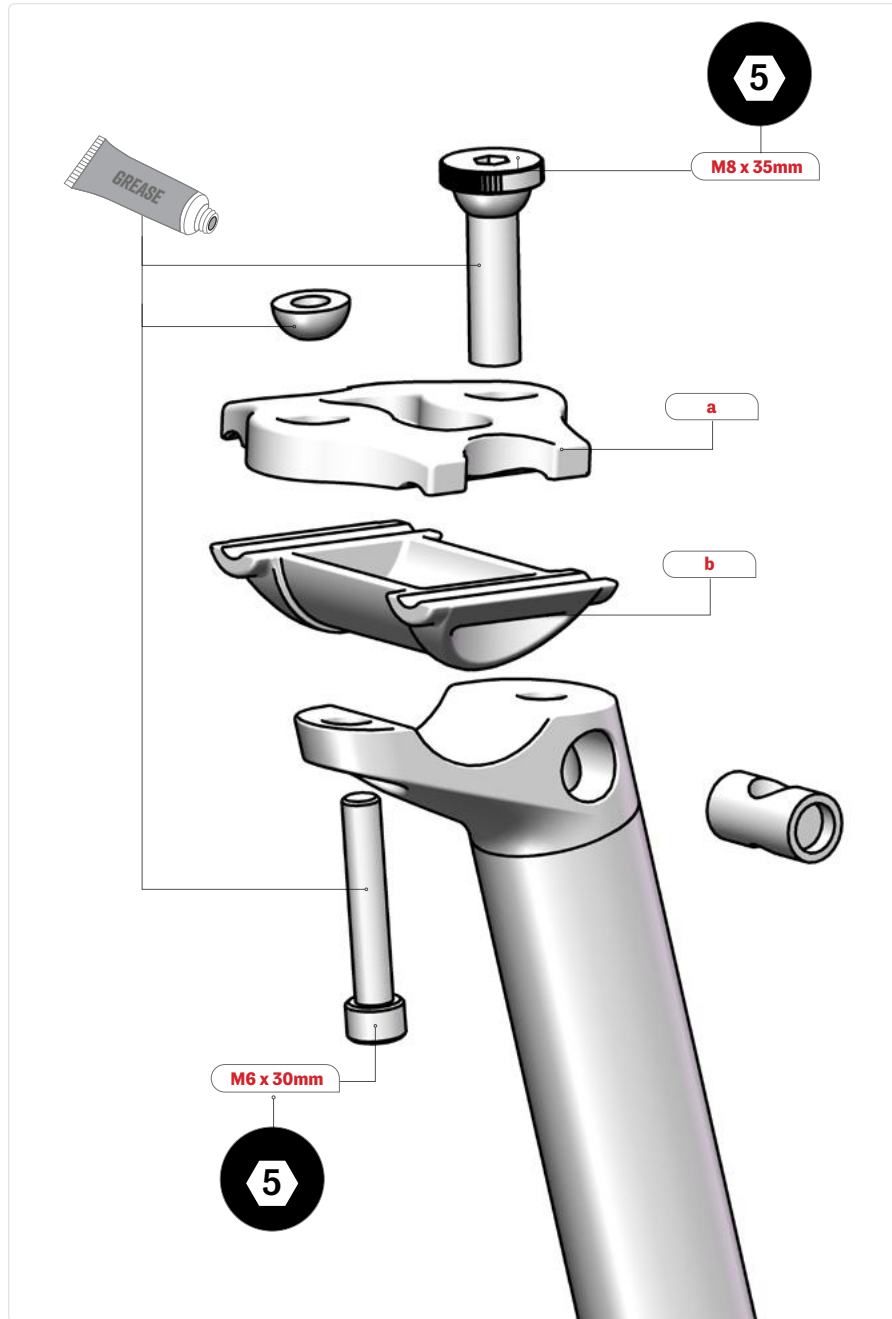
8.1 SEAT POST ASSEMBLY KRYPTON PRO



The seat post is supplied fully assembled.

1. Unscrew both bolts slightly until the top clamp (a) and the cradle (b) are separated enough to insert the saddle rail. Do not unscrew the M5 x 40mm screws completely.
2. Apply grease on the threads of each M5 x 40mm screw, on the spherical washer and on the barrel.
3. Apply carbon paste between the cradle and seatpost.
4. Tighten both M5 x 40mm screws in order to adjust the angle of the saddle and clamp the rail.
5. Tighten both M5 x 40mm screws to 4Nm.

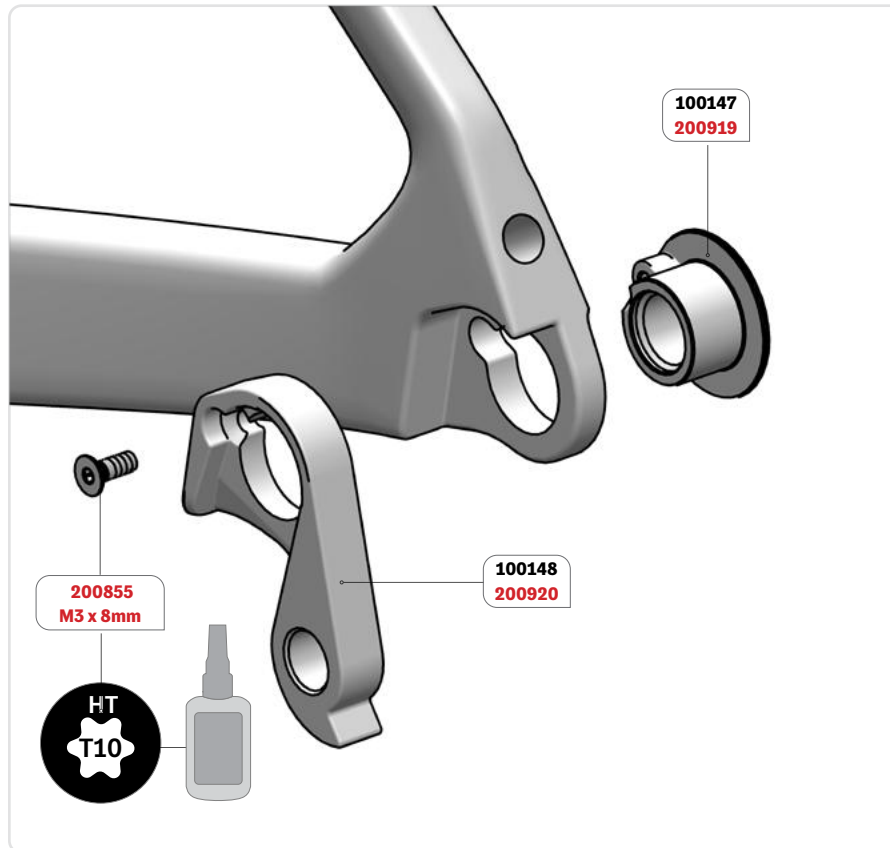
8.2 SEAT POST ASSEMBLY KRYPTON



The seat post is supplied fully assembled.

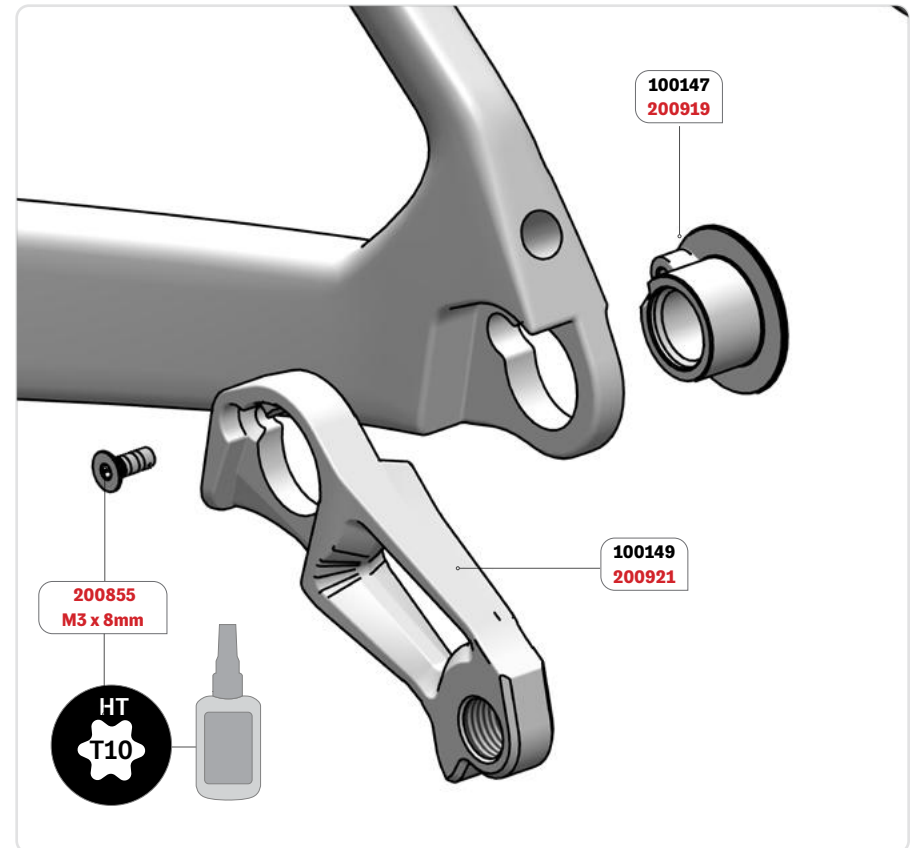
1. Unscrew both screws slightly until the top clamp (a) and the cradle (b) are separated enough to insert the saddle rail. Do not unscrew the bolts completely.
2. Apply grease on the threads of each bolt, on the spherical washer and on the barrel.
3. Tighten both bolts in order to adjust the angle of the saddle and clamp the rail.
4. Tighten both screws to 9.5Nm.

9. REAR DERAILLEUR HANGER ASSEMBLY



Assembling with a regular hanger:

1. Install the threaded dropout part (SKU: 100147 or 200919) on the frame.
2. Assemble the rear derailleur hanger (SKU: 100148 or 200920) on the frame with the flat head torx cap screw M3 x 8 mm (SKU: 200855).
3. Apply a drop of blue threadlocker (no. 242) to the M3 x 8 mm screw threads and hand-tighten the screw.
4. Use a rear derailleur hanger alignment gauge to align the rear derailleur hanger.



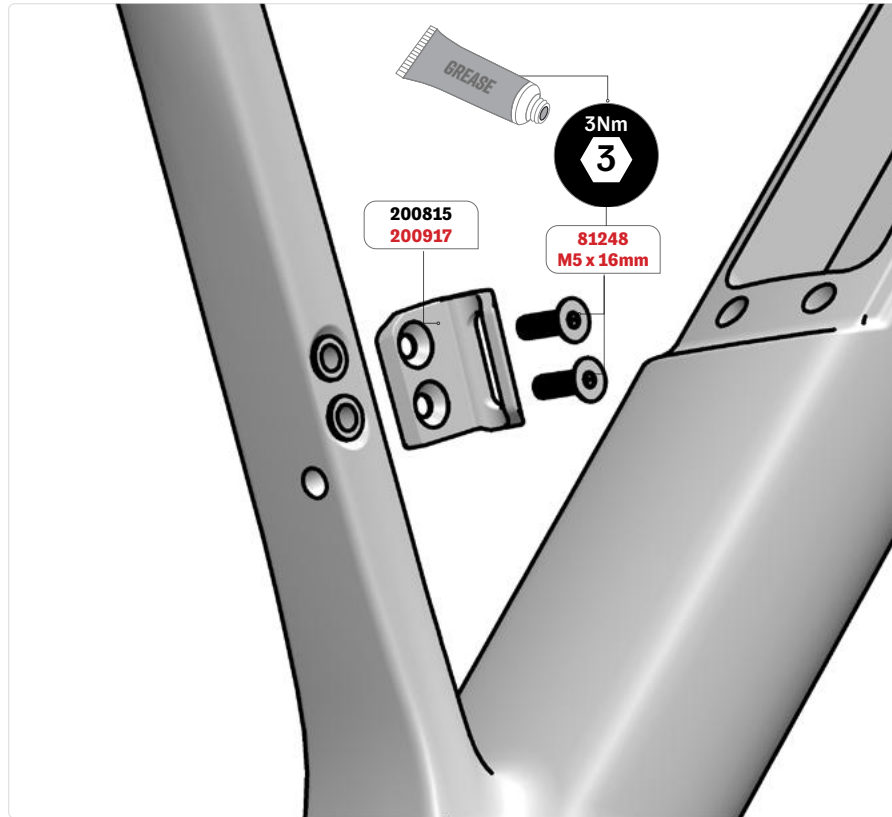
Assembling with a direct mount hanger:

1. Install the threaded dropout part (SKU: 100147 or 200919) on the frame.
2. Assemble the rear derailleur hanger (SKU: 100149 or 200921) on the frame with the flat head torx cap screw M3 x 8 mm (SKU: 200855).
3. Apply a drop of blue threadlocker (no. 242) to the M3 x 8 mm screw threads and hand-tighten the screw.
4. Use a rear derailleur hanger alignment gauge to align the rear derailleur hanger.

For assistance, visit Park Tool's website at:

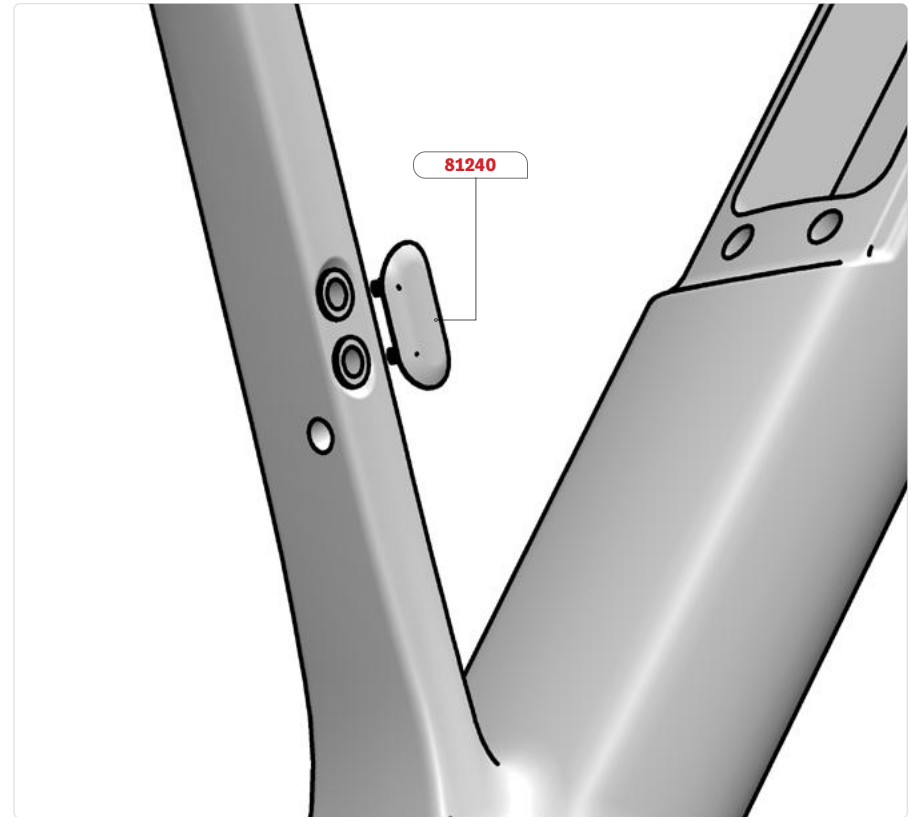
<https://www.parktool.com/blog/repair-help/rear-derailleur-hanger-alignment>

10. FRONT DERAILLEUR HANGER ASSEMBLY



Using a Front Derailleur:

1. Apply grease on the threads of both M5 x 16mm bolts (SKU: 81248).
2. Assemble the front derailleur hanger (SKU: 200815 or 200892) on the frame with the two bolts.
3. Tighten both screws to 3Nm.

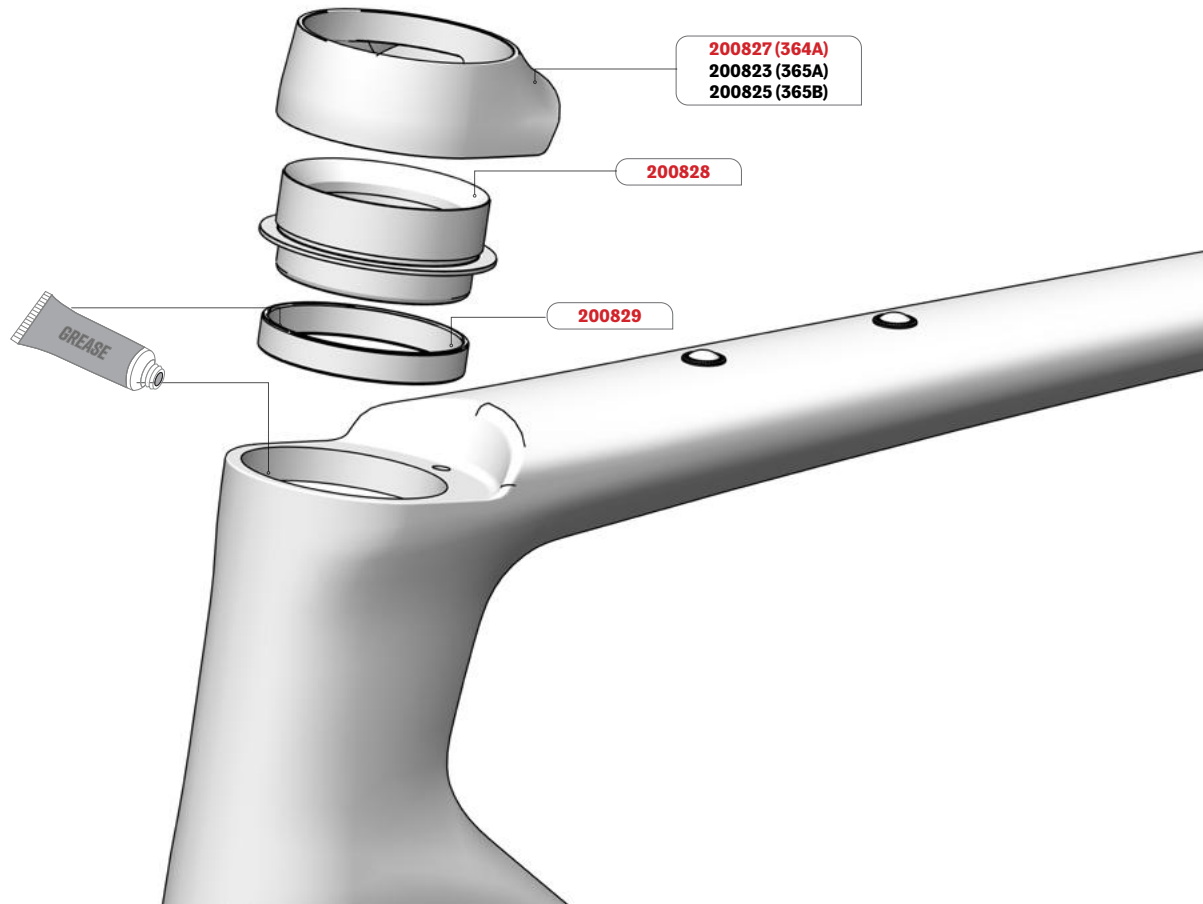


Using a Single Chainring Set-Up:

1. Install the FD plug (SKU: 81240) to cover the hole.

II. 3D HEADSET INSTALLATION

AS WITH ALMOST ALL ARGON 18 BIKES, THE KRYPTON PROVIDES YOU WITH THE BENEFIT OF THE 3D SYSTEM. THIS SYSTEM ALLOWS FOR 2 POSITIONS: 0MM AND 25MM.



If the 25mm 3D headset is desired, follow the steps below. If no 3D headset is desired, no action is required:

- 1.** Install the 3D headset plastic sleeve (SKU: 200829) into the top of the head tube. (Apply grease on the sleeve)
- 2.** Insert the 25mm headset sleeve (SKU: 200828). (Apply grease on the column)
- 3.** Secure the assembly using a headset press.
- 4.** Push the 25mm Cap on the column while aligning the pin in the frame hole.

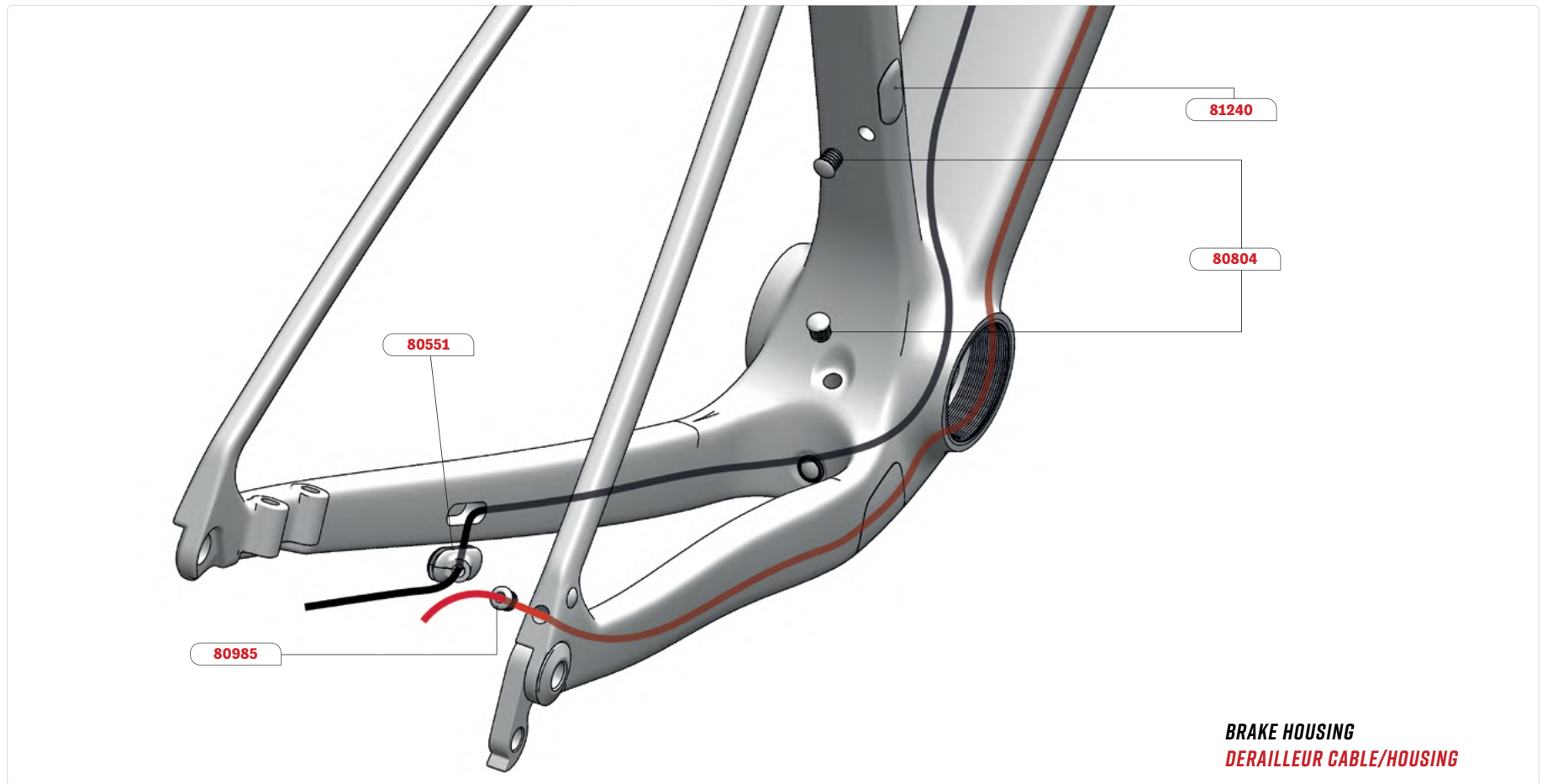
12.1 CABLE AND HOUSING ROUTING - MECHANICAL IX SHIFTING



BRAKE HOUSING
DERAILLEUR CABLE/HOUSING

1. All housing will be under the BB once installed.
2. All housing can be covered by a foam liner over the cable clamp (SKU: 80811).
3. Refer to the [Internal Routing Guide](#) on the website for the cable orientation around the steer tube, this depends on the choice of cockpit.

12.2 CABLE AND HOUSING ROUTING - MECHANICAL IX SHIFTING



Rear Derailleur:

1. Insert housing from rear hole on the seat stay.
2. Guide the housing under the bottom bracket.
3. Exit the housing through the headtube.
4. Insert the mechanical grommet (SKU: 80985) into the seat stay hole.

Rear Brake:

1. Insert housing from rear hole on the chainstay.
2. Guide the housing under the bottom bracket.
3. Exit the housing through the headtube.
4. Insert the rear brake oblong cable guide (SKU: 80551) into the chainstay hole.

Front Derailleur:

1. Install the FD plug (SKU: 81240) over the two FD hanger rivets. Refer to page 13.
2. Install the plug grommet (SKU: 80804) in the Di2 seat tube hole and FD housing exit hole.

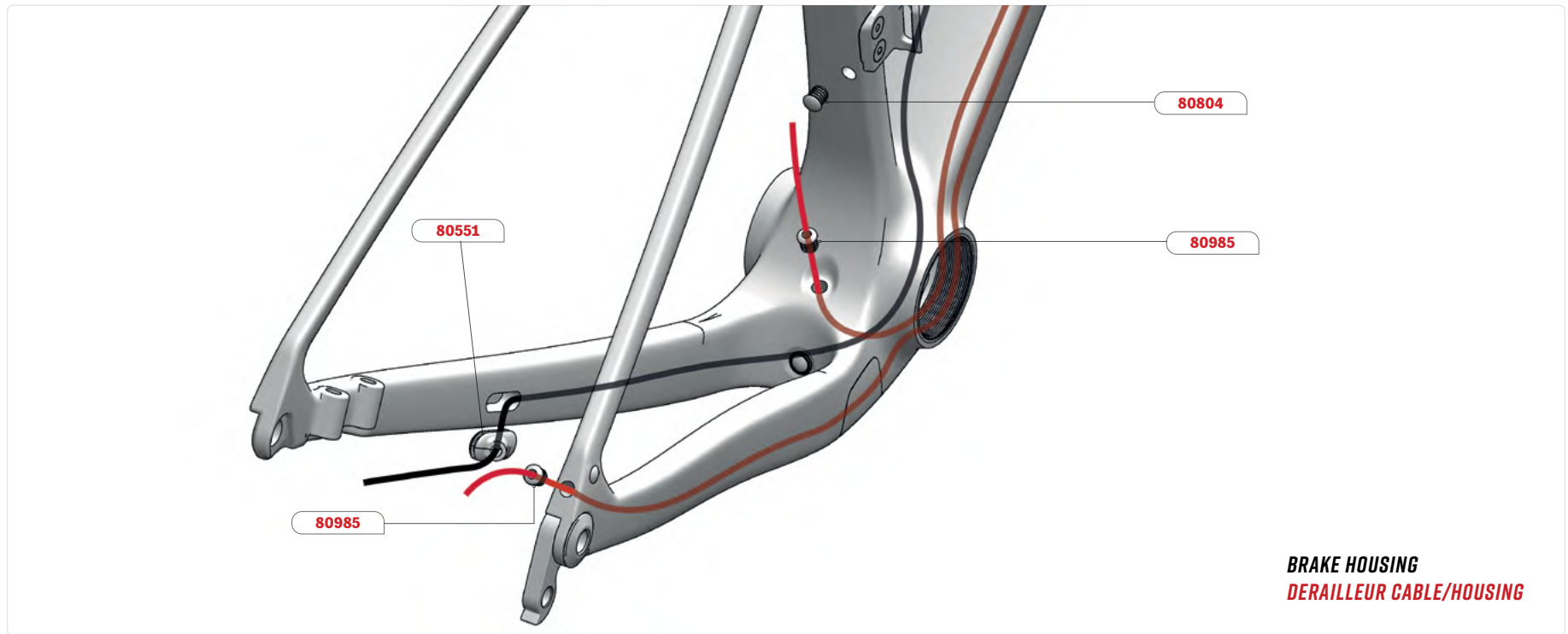
13.1 CABLE AND HOUSING ROUTING - MECHANICAL SHIFTING



BRAKE HOUSING
DERAILLEUR CABLE/HOUSING

- 1.** All housing will be under the BB once installed.
- 2.** All housing can be covered by a foam liner over the cable clamp (SKU: 80811).
- 3.** Refer to the [Internal Routing Guide](#) on the website for the cable orientation around the steer tube, this depends on the choice of cockpit.

13.2 CABLE AND HOUSING ROUTING - MECHANICAL SHIFTING



Rear Derailleur:

1. Insert housing from rear hole on the seat stay.
2. Guide the housing under the bottom bracket.
3. Exit the housing through the headtube.
4. Insert the mechanical grommet (SKU: 80985) into the seat stay hole.

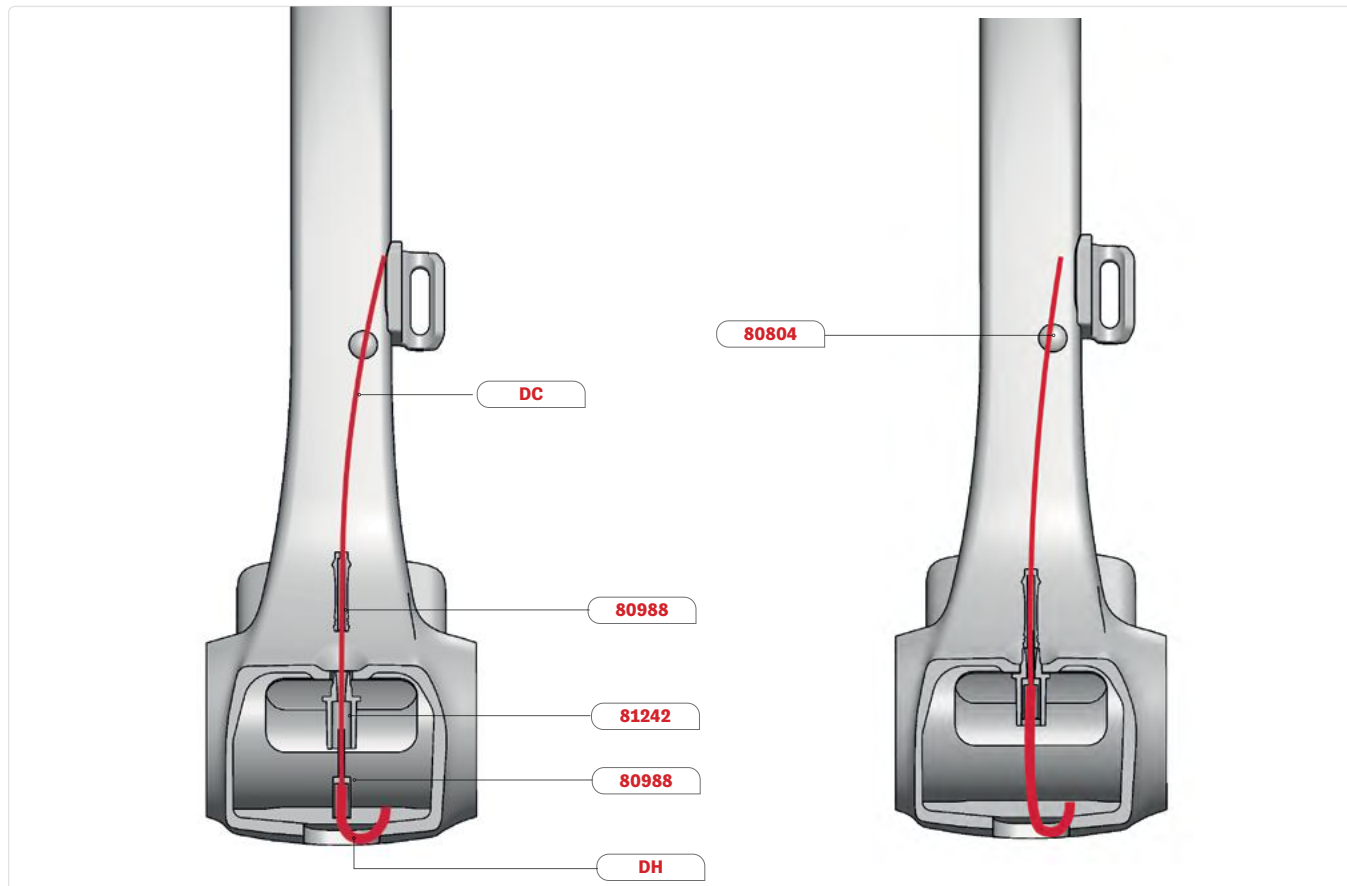
Rear Brake:

1. Insert housing from rear hole on the chainstay.
2. Guide the housing under the bottom bracket.
3. Exit the housing through the headtube.
4. Insert the rear brake oblong cable guide (SKU: 80551) into the chainstay hole.

Front Derailleur with full housing:

1. Housing length will depend on the chainring.
2. Insert front derailleur housing from the headtube.
3. Once the housing exits from the BB hole, guide the housing in the hole behind the BB.
4. Install the mechanical grommet (SKU: 80985).
5. Install the housing ferrule.
6. Install the plug grommet (SKU: 80804) in the Di2 seat tube hole.

13.3 CABLE AND HOUSING ROUTING - MECHANICAL SHIFTING



Front Derailleur with cable stop:

1. Insert front derailleur housing (DH) from the headtube.
2. Once the housing exits from the BB hole, install the dirt guard kit (SKU: 80988).
3. Install the FD cable stopper (SKU: 81242).
4. Install the cable (DC) in the housing.
5. Install the rubber dust seal (included in SKU: 80988).

6. Guide the housing in the hole behind the BB.
7. Install the plug grommet (SKU: 80804) in the Di2 seat tube hole.

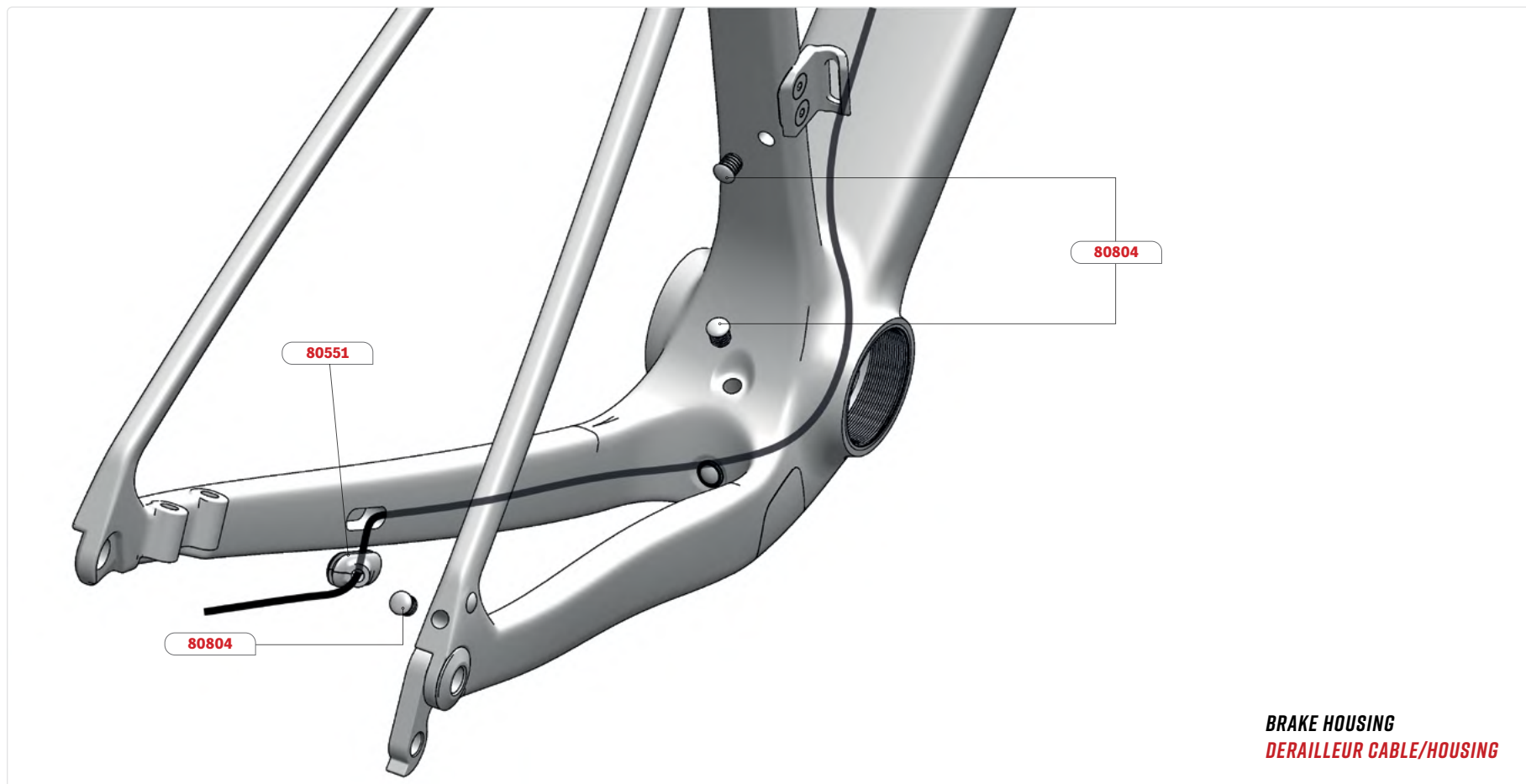
14.1 CABLE AND HOUSING ROUTING - ELECTRONIC WIRELESS ROUTING



BRAKE HOUSING

- 1.** The rear brake housing will be under the BB once installed.
- 2.** The rear brake housing can be covered by a foam liner over the cable clamp (SKU: 80811).
- 3.** Refer to the [Internal Routing Guide](#) on the website for the cable orientation around the steer tube, this depends on the choice of cockpit.

14.2 CABLE AND HOUSING ROUTING - ELECTRONIC WIRELESS ROUTING



Rear Derailleur:

1. Install the plug grommet (SKU: 80804) in the seat stay hole.

Rear Brake:

1. Insert housing from rear hole on the chainstay.
2. Guide the housing under the bottom bracket.
3. Exit the housing through the headtube.
4. Insert the rear brake oblong cable guide (SKU: 80551) into the chainstay hole.

Front Derailleur:

1. Install the plug grommet (SKU: 80804) in the Di2 seat tube hole and FD housing exit hole.

15.1 CABLE AND HOUSING ROUTING - ELECTRONIC WIRE ROUTING

9200 - 8100 - 7100



BRAKE HOUSING
DERAILLEUR CABLE

1. The rear brake housing will be under the BB once installed.
2. The rear brake housing can be covered by a foam liner over the cable clamp (SKU: 80811).
3. Refer to the [Internal Routing Guide](#) on the website for the cable orientation around the steer tube, this depends on the choice of cockpit.

15.2 CABLE AND HOUSING ROUTING - ELECTRONIC WIRE ROUTING

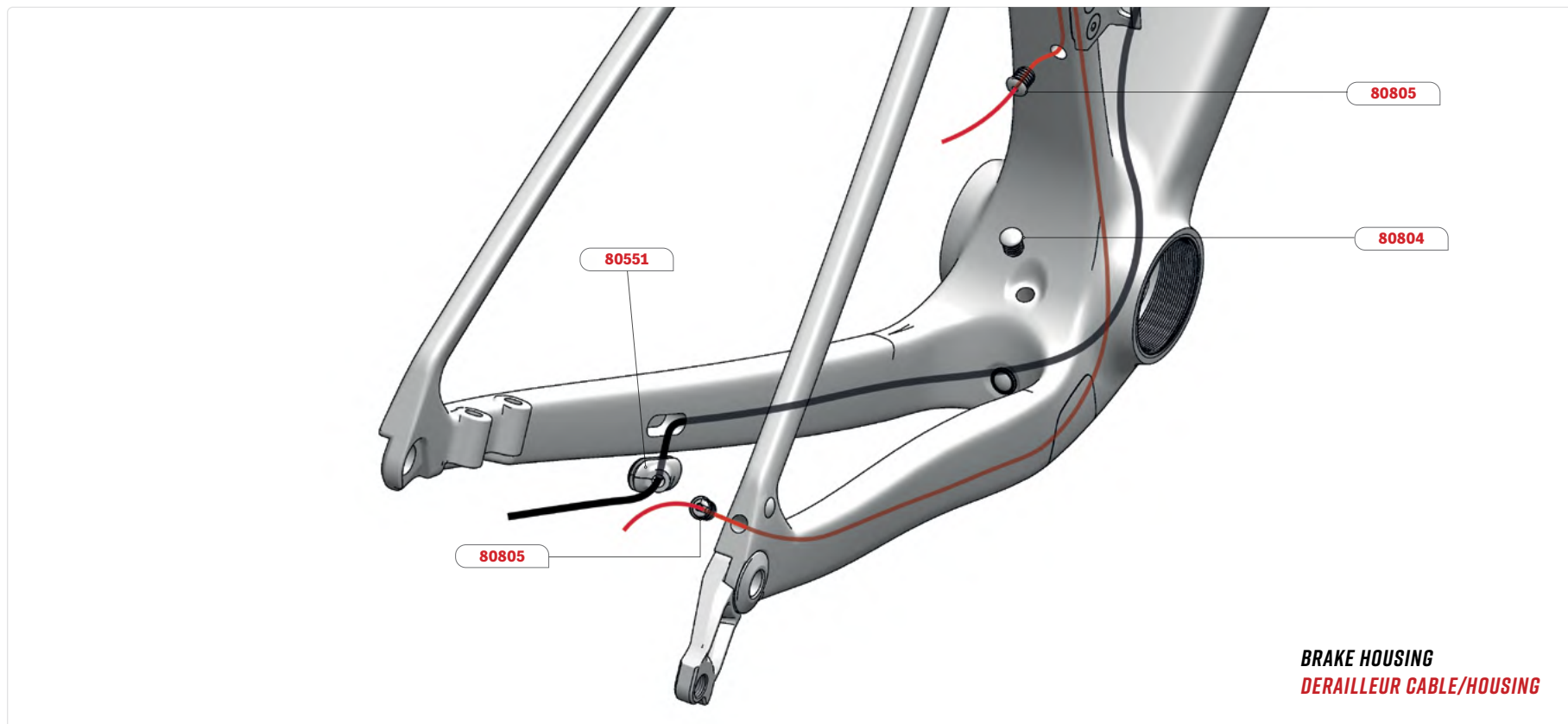
OLDER D12 WITH INTERNAL BATTERY



**BRAKE HOUSING
DERAILLEUR CABLE**

- 1.** All cable and housing will be under the BB once installed.
- 2.** The junction box will be behind the BB once installed.
- 3.** The rear brake housing can be covered by a foam liner over the cable clamp (SKU: 80811).
- 4.** Refer to the [Internal Routing Guide](#) on the website for the cable orientation around the steer tube, this depends on the choice of cockpit.

15.3 CABLE AND HOUSING ROUTING - ELECTRONIC WIRE ROUTING



Rear Derailleur:

1. Insert the Di2 rear derailleur cable from rear hole on the seat stay until it exits from the BB hole or the seattube depending on the Di2 generation.
2. Plug the cable into the junction box or into the battery.
3. Insert the Di2 grommet (SKU: 80805) into the seat stay hole.

Rear Brake:

1. Insert housing from rear hole on the chainstay.
2. Guide the housing over the bottom bracket.
3. Exit the housing through the headtube.
4. Insert the rear brake oblong cable guide (SKU: 80551) into the chainstay hole.

Front Derailleur:

1. Insert Di2 front derailleur cable from hole behind seattube until it exits from the BB hole or the seattube depending on the Di2 generation.
2. Plug the cable into the junction box or into the battery.
3. Install the plug grommet (SKU: 80804) in the FD housing exit hole and the Di2 grommet (SKU: 80805) into the Di2 seattube hole.

16. CABLE AND HOUSING ROUTING - DROPPER SEATPOST



THE KRYPTON IS COMPATIBLE WITH A DROPPER POST IN MECHANICAL 1X OR AXS BUILD.

With an AXS groupset or mechanical 1X groupset:

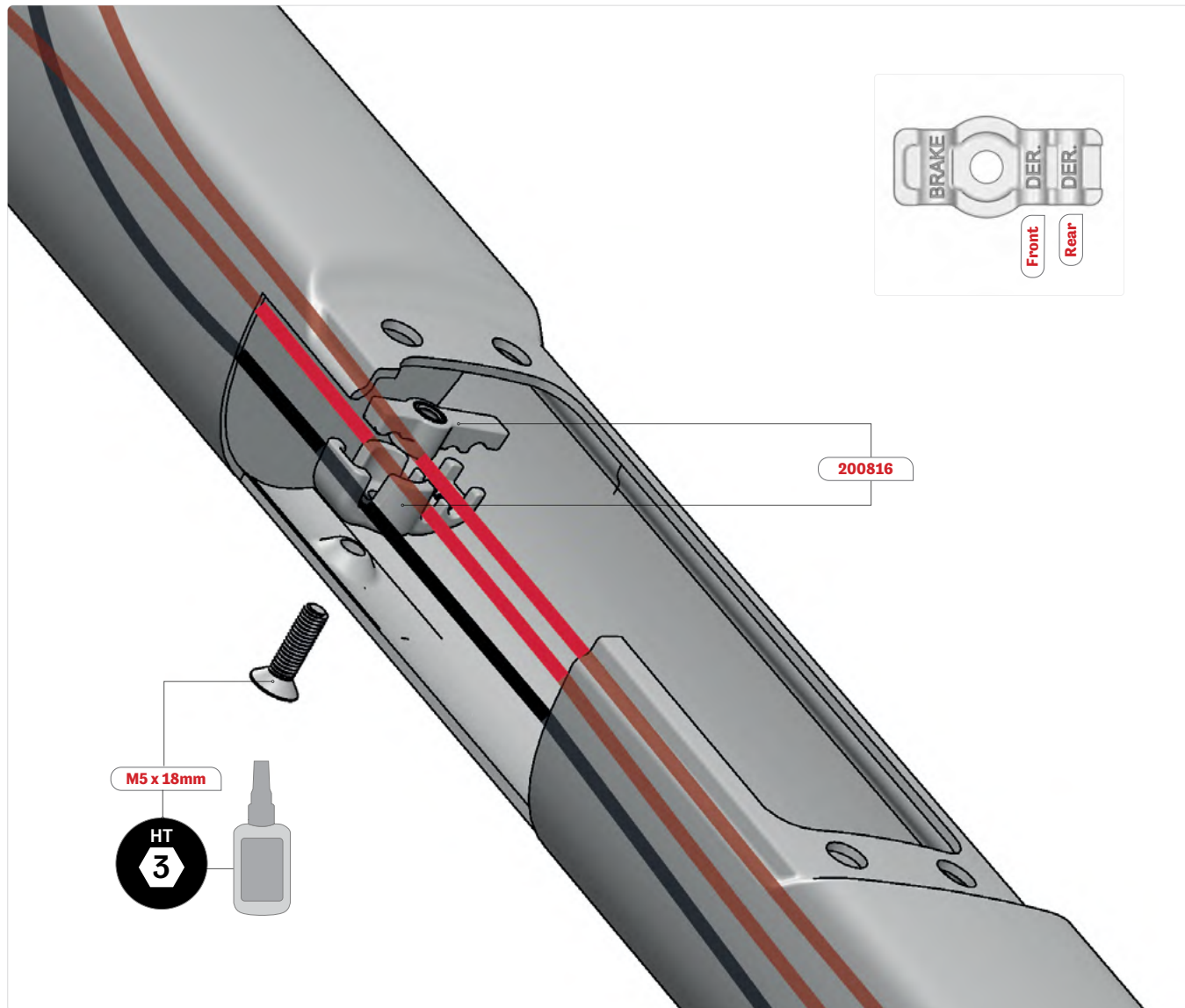
- 1.** The dropper post housing will be above the BB once installed.
- 2.** The dropper post housing can be covered by a foam liner over the cable clamp (SKU: 80811).
- 3.** Insert the housing into the headtube and through the seat tube.
- 4.** Follow dropper seatpost manufacturer installation procedure.



IMPORTANT:

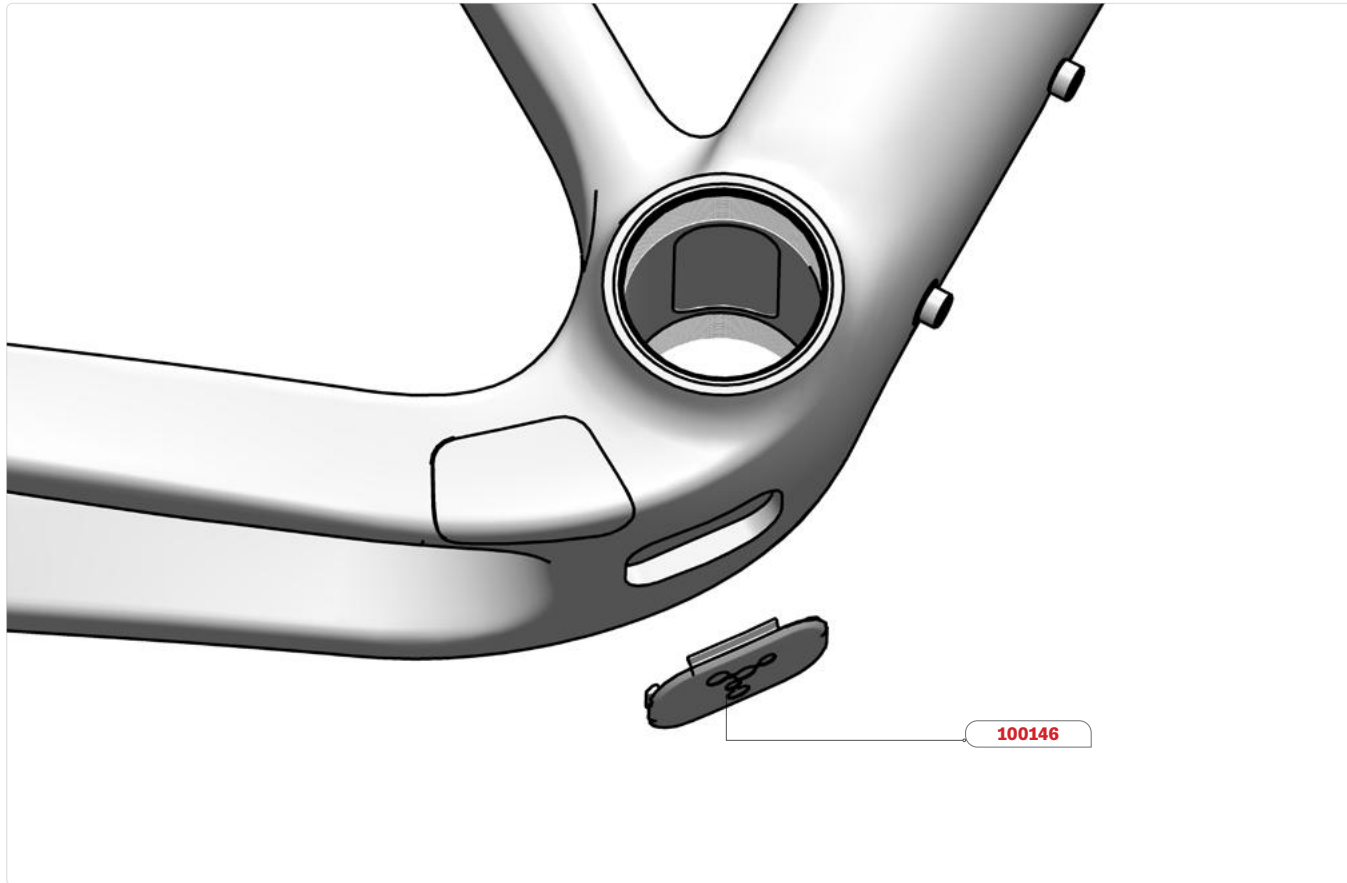
Only 4 cables can pass thru the headset per headset manufacturer recommendation.

17. DOWNTUBE CABLE CLAMP INSTALLATION



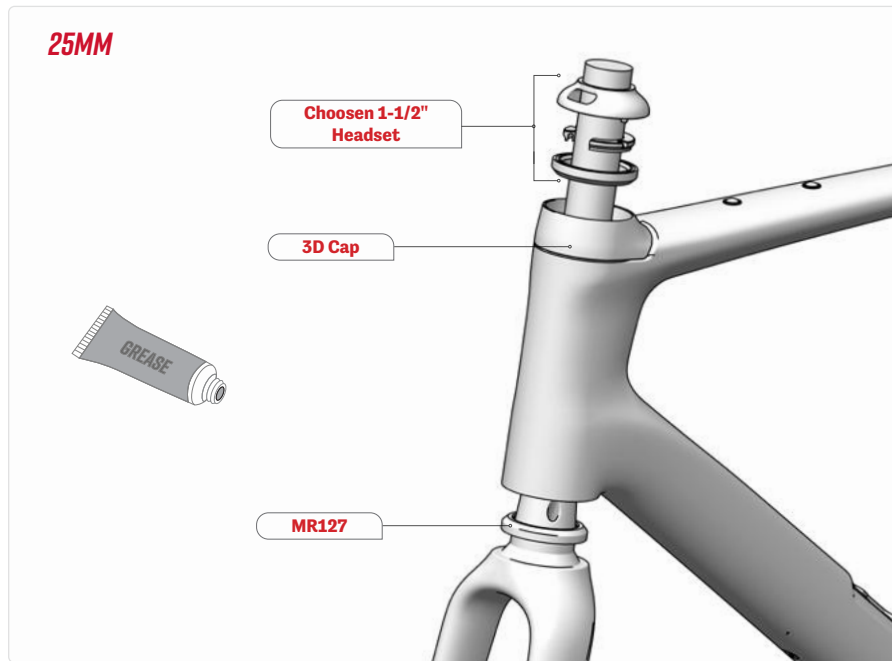
1. Apply a drop of blue threadlocker (no. 242) to the M5 x 18mm screw threads.
2. Install the bottom part of the cable clamp (SKU: 200816). The brake side goes on the non-drive side of the bike.
3. Place all housing in the corresponding position in the cable clamp.
4. Install the top part of the cable clamp.
5. Hand-tighten the M5 x 12 mm screw, making sure that the housing isn't crushed.

18. BOTTOM BRACKET COVER INSTALLATION



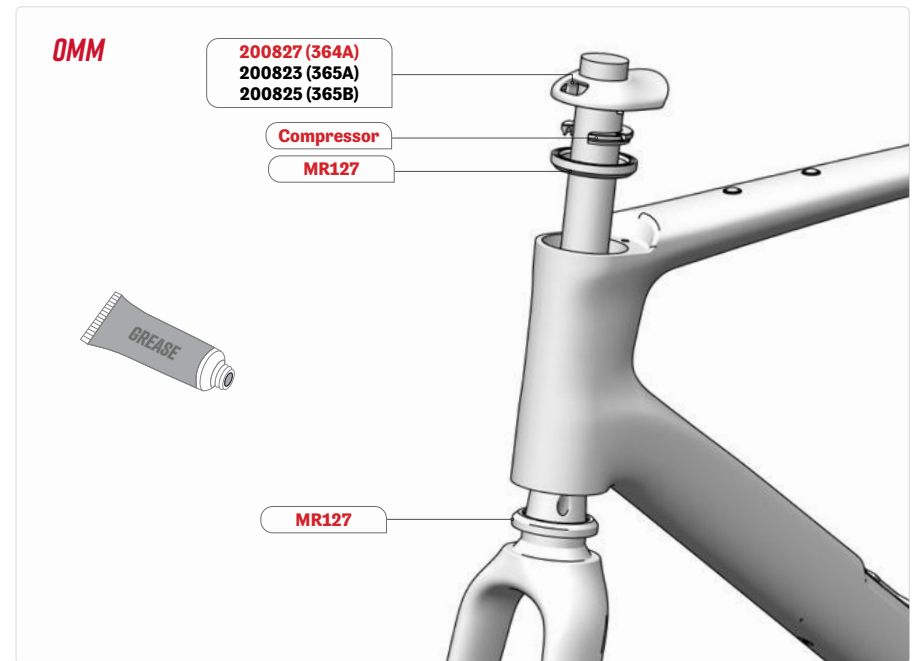
- 1. After installing all cables and housing, install the bottom bracket cover (SKU: 100146).

19. FORK INSTALLATION



25mm assembly process:

1. Install the bottom (MR127) bearing on the fork. (Apply grease on both sides of the bearing)
2. Insert top bearing (supplied with the headset) in the headset column. (Apply grease on both sides of the bearing)
3. Slide the fork into the head tube while orienting all housing on the good side of the steertube depending on the chosen headset system.
4. Install conical compressor ring once all cables are in place.
5. Install headset top cover with all cable at the right place.
6. For more information on compatible systems and assembly suggestions, please see: [Internal Routing Guide](#) on our website.



0mm assembly process:

Please note that this cap is designed to replace a SRS headset topcap.

1. Install the bottom (MR127) bearing on the fork. (Apply grease on both sides of the bearing)
2. Insert top bearing (MR127) in the headset column. (Apply grease on both sides of the bearing)
3. Slide the fork into the head tube while orienting all housing on the good side of the steertube. For SRS systems, we suggest that all cables pass on the same side of the steerer as the lever they are going to.
4. Install conical FSA compressor ring once all cables are in place.
5. Install headset top cover (SKU: 200823, 200825 or 200827) once all cables are in place.



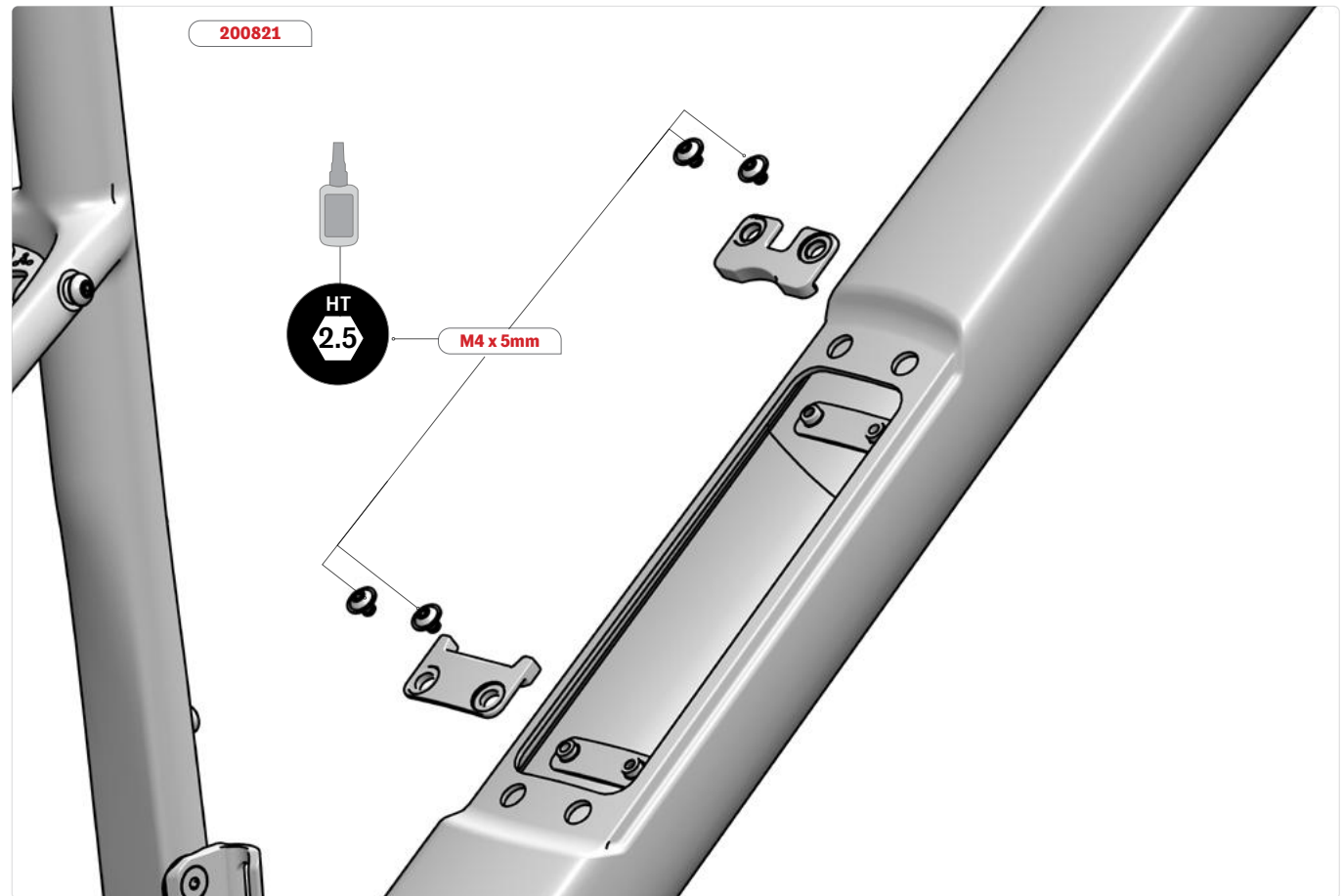
IMPORTANT:

Only 4 cables can pass through the headset per headset manufacturer recommendation.

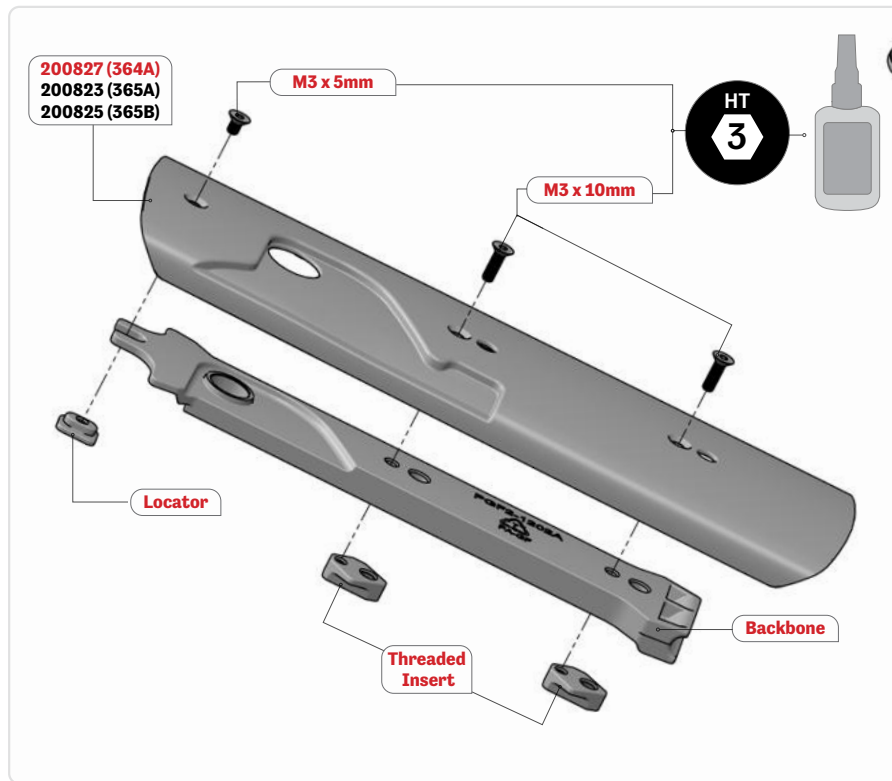
20.1 TOOLBOX FRAME INSTALLATION

Assembling the door frame receptacle:

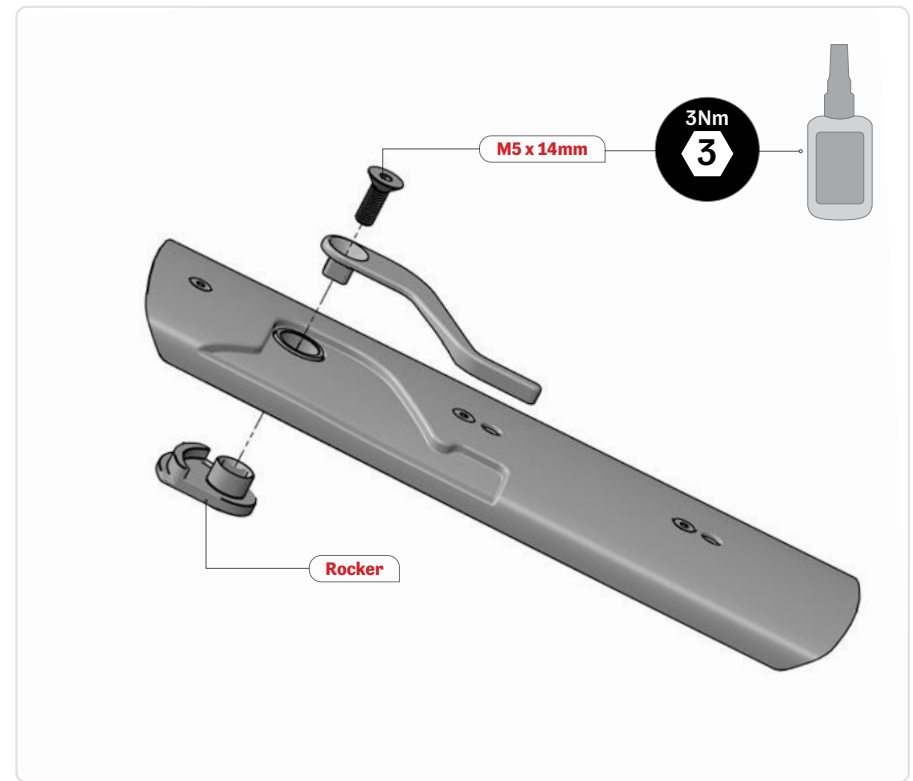
1. Apply threadlocker (no. 242) to the threads of the four M4 x 5 mm flanged button head screws.
2. Place the threaded part inside the frame in the upper hole.
3. Assemble the rounded top part and hand-tighten the two screws.
4. Repeat for the lower part.



20.2 TOOLBOX DOOR ASSEMBLY



1. Apply a drop of blue threadlocker (no. 242) to the M3 x 5 mm screw threads.
2. Assemble the locator, backbone and door cover as shown with the M3 x 5 mm screw.
3. Apply a drop of blue threadlocker (no. 242) to the two M3 x 10 mm screw threads.
4. Assemble the threaded insert, backbone and door cover as shown with the two M3 x 10 mm screws.
5. Hand-tighten the three M3 screws.



1. Apply a drop of blue threadlocker (no. 242) to the M5 x 14 mm screw threads.
2. Assemble the rocker and lever on the door assembly as shown with the M5 x 14 mm screw. The matching interface is square; make sure the parts are aligned correctly.
3. Tighten the M5 x 14 mm screw to 3Nm.
4. Validate the rotation of the lever. There is a notch on the rocker to keep the lever in the open position.

20.3 TOOLBOX COMPONENTS

The Krypton comes with a downtube tool pouch. On the Krypton Pro the pouch contains tools, while on the Krypton it is supplied empty.

Silicone Sleeve



CO2 Cartridge 16 g
Not Included

Multi-Tool



Tire Lever



Inflator Head



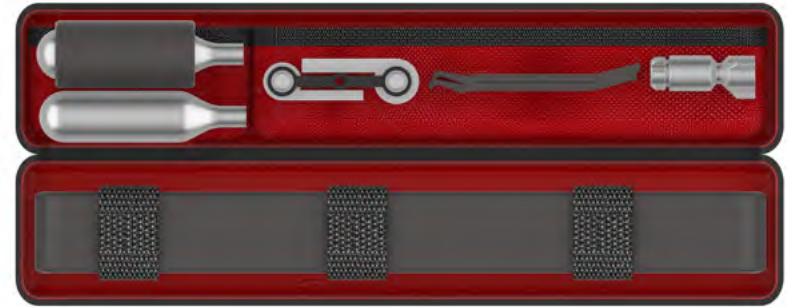
Inner Tube
Not Included



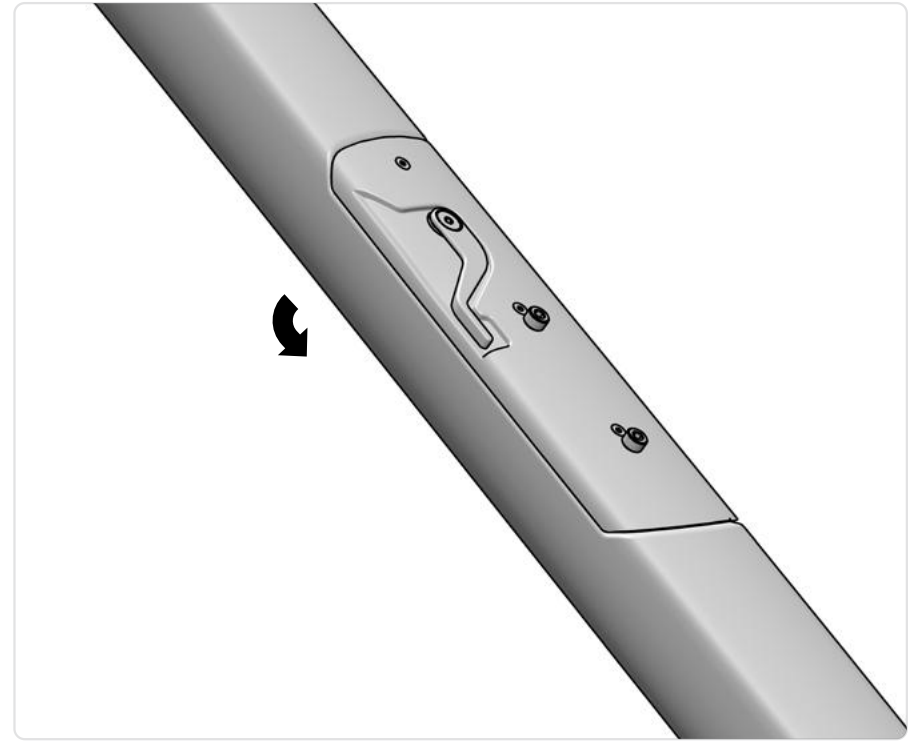
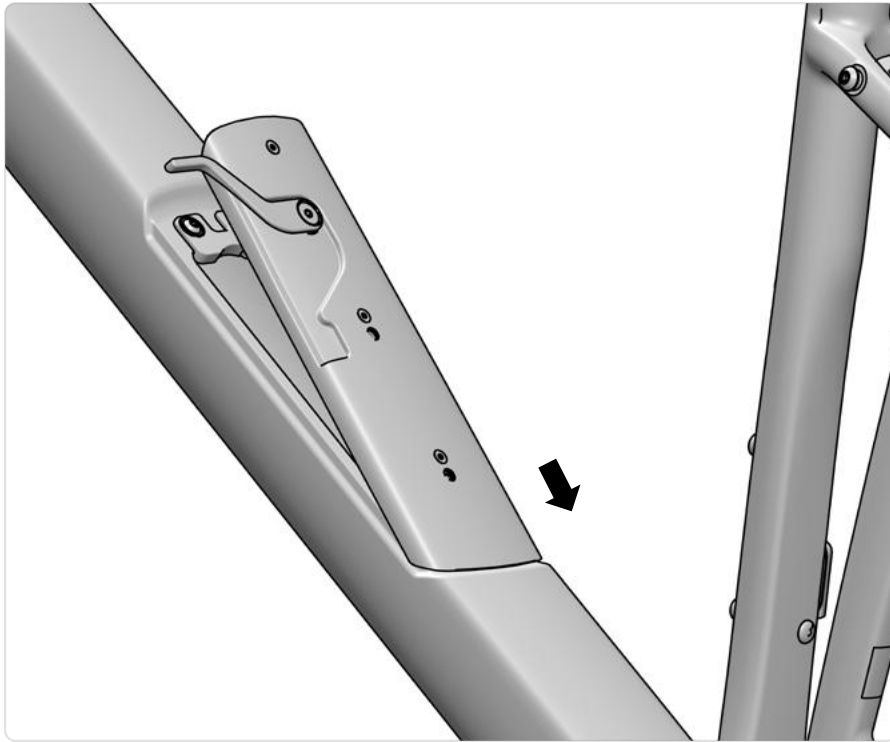
Tool Pouch



Suggested tool placement



20.4 TOOLBOX DOOR INSTALLATION



- 1.** Insert the door at an angle and make sure the backbone edges are aligned into the tab on the frame.
- 2.** Lower the door until it rest on the upper tab.
- 3.** Turn the lever 90 degrees counter-clockwise to lock the door in place.

21. BOTTLE CAGE POSITION

XXS



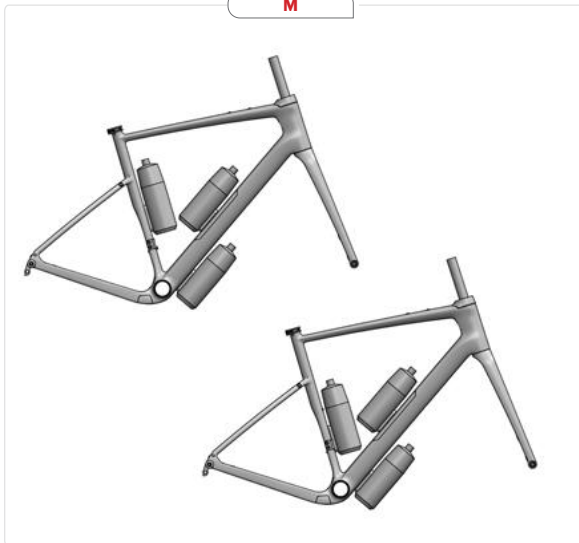
XS



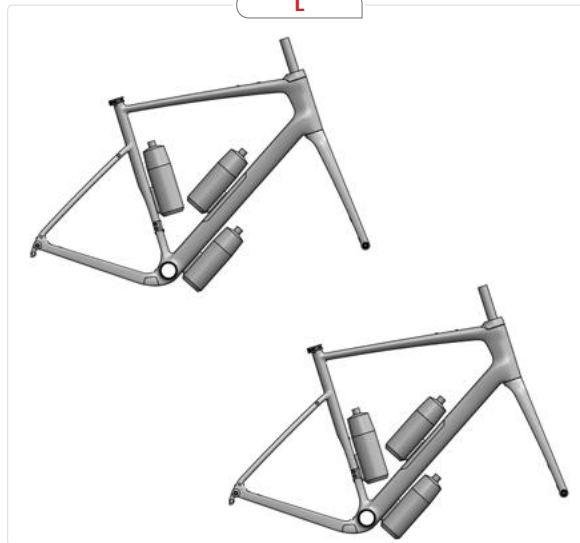
S



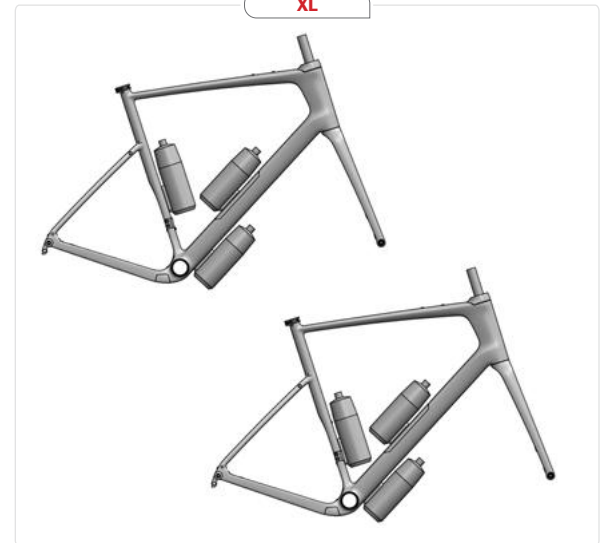
M



L

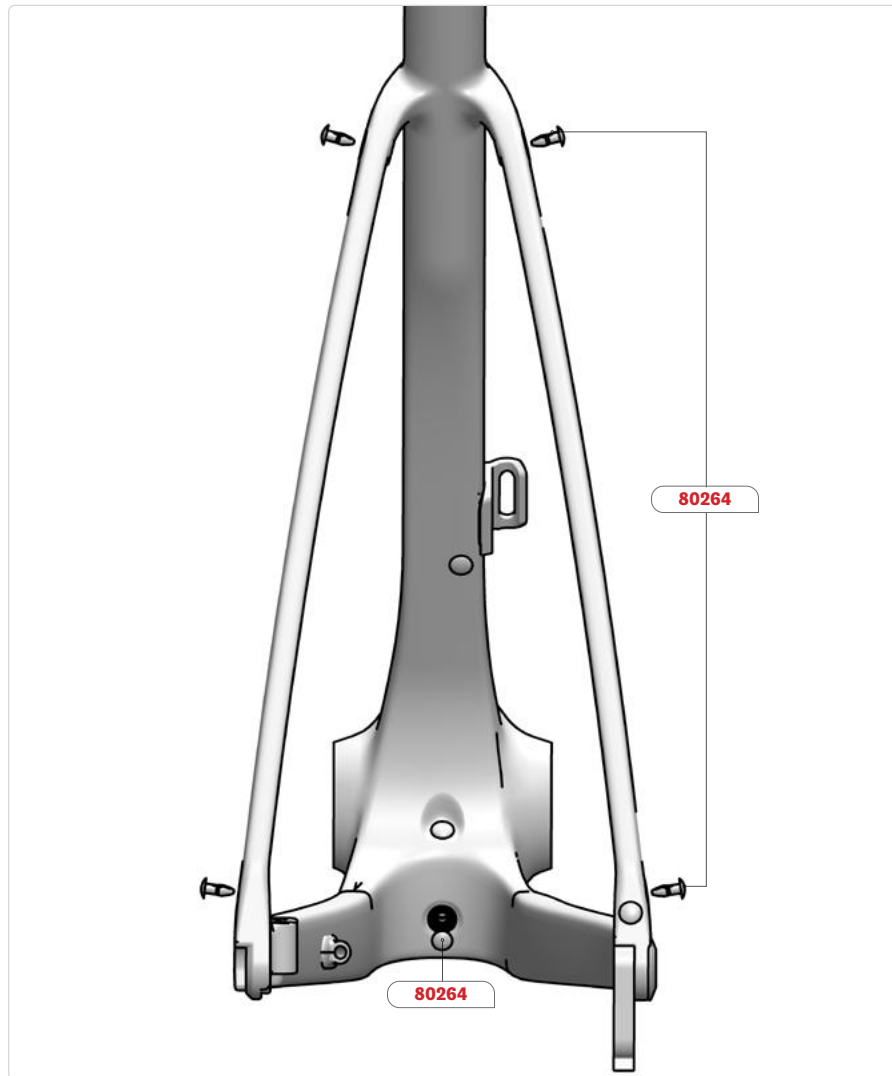


XL



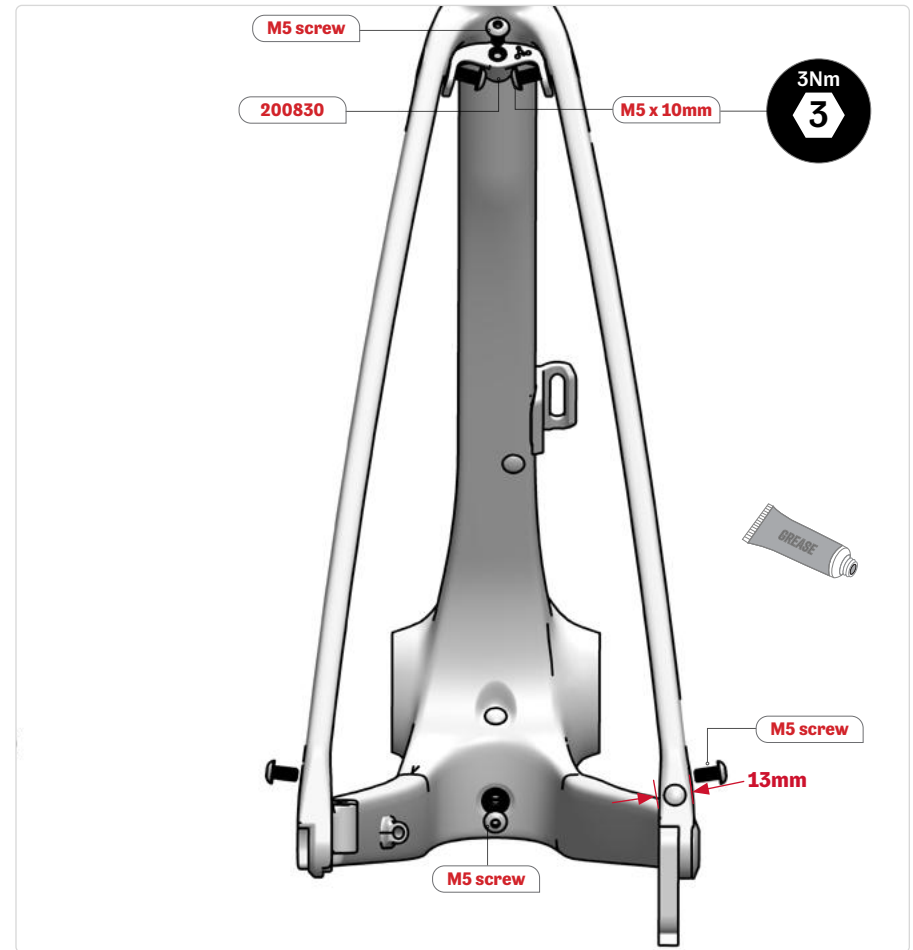
Above are some possible options of how to fit the waterbottle(s) onto the frame's water-bottle-cage mounts, depending on the frame size.

22.1 REAR RACK AND FENDER INSTALLATION



Without fender or rack:

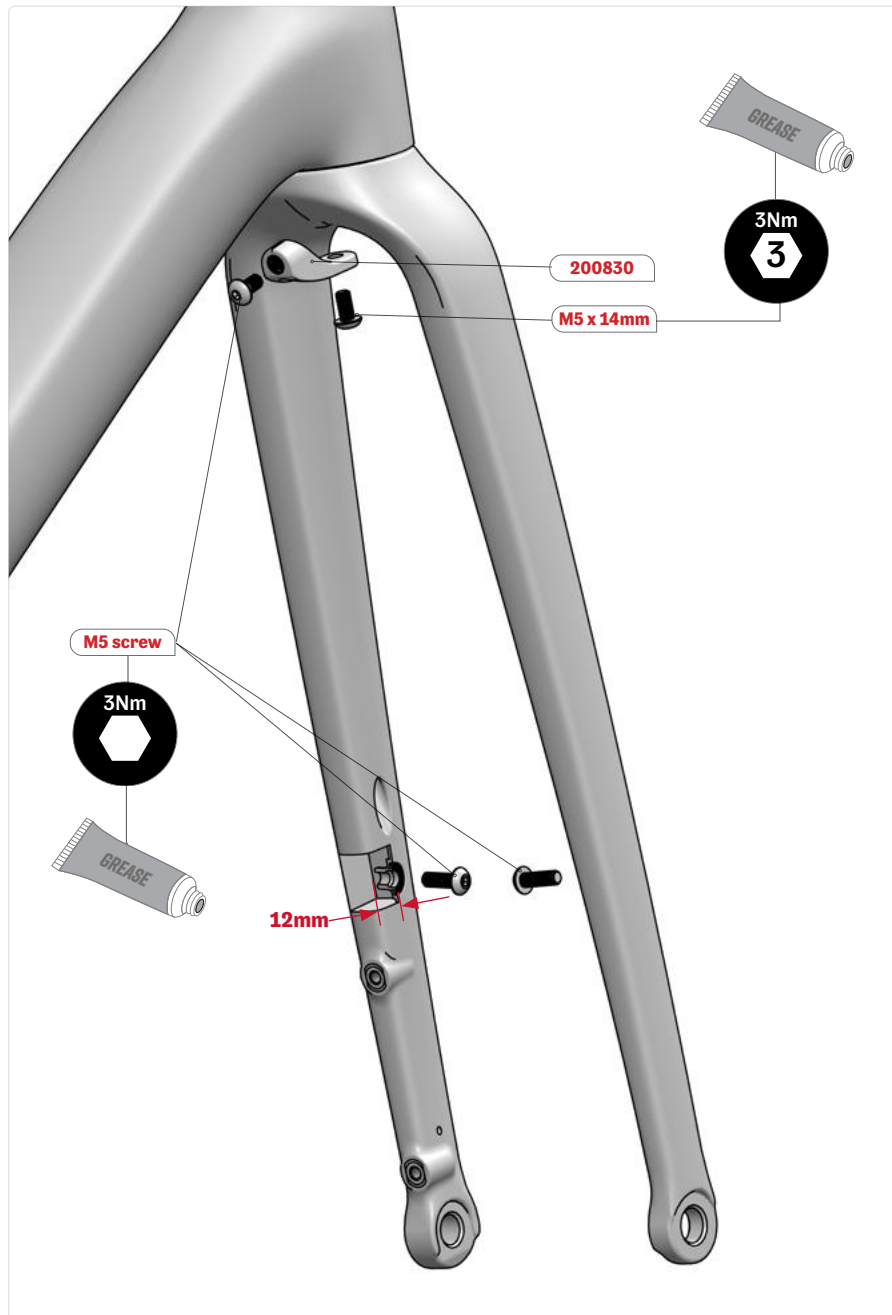
1. Cover the five unused holes with M5 plugs (SKU: 80264).



With fender only:

1. To install a rear fender, use the fender bracket kit (SKU: 200830). Use the two supplied M5 x 10 mm button head screws to secure the bracket.
2. When securing the fender on the dropout, make sure that the screw doesn't interfere with the chain. The maximum insertion of the screw is 13mm to avoid protrusion and possible chain interference.
3. All screws must be torqued to a maximum of 3Nm. Apply grease to the threads.

23. FRONT FENDER INSTALLATION



- To install a front fender, use the fender bracket kit (SKU: 200830). Use the supplied M5 x 14 mm button head screw to secure the bracket.
- Make sure the top screw securing the fender doesn't touch the fork.
- The thread insertion on the interior hole for fenders is 12mm. Ensure 12mm or less of visible threads once the fender is screwed on.
- All screws must be torqued to a maximum of 3Nm. Apply grease to the threads.
- Cover all unused holes with M5 plug (SKU: 80264)

