

ARGON 18



VALID FOR MY2023 VERSION 2.1 / 2023-03-20 - ARTWORK 360A/360B

SUBITO

ARGON 18



VALID FOR MY2023 VERSION 2.1 / 2023-03-20 - ARTWORK 360A/360B

SUBITO

TABLE OF CONTENTS

1. Tools Needed & First Aid Kit	4
2. Frameset Inspection	5
3. Troubleshooting / Tips / Specifications	6
4. Frameset SKUs and Descriptions	7-9
5. MAHLE X35+ SKUs and Descriptions – North America	10-11
6. MAHLE X35+ SKUs and Descriptions – EU	12-13
7. Seat Post Collar Assembly	14
8. Seat Post Assembly	15
9. Rear Derailleur Hanger Adjustment	16
10. Front Derailleur Hanger Assembly	17
11. MAHLE X35+ Components Assembly	18-22
12. Cable and Housing Routing – Light	23
13. Rear Light Installation	24
14. 3D Headset Installation	25
15. Cable and Housing Routing – Mechanical Shifting	26-29
16. Cable and Housing Routing – Mech. 1X Shifting	30-32
17. Cable and Housing Routing – Elec. Wire Routing	33-36
18. Cable and Housing Routing – Elec. Wireless Routing	37-39
19. Cable and Housing Routing – Dropper Seatpost	40
20. Front Light Installation	41
21. Cable and Housing Routing – Front Grommet Selection	42
22. Headset Installation	43
23. Rear Wheel Installation	44-46
24. BB Cover installation	47
25. Chain Catcher	48
26. Rear Rack and Fender Installation	49
27. Front Fender Installation	50
28. Range Extender and Water Bottle Position	51
29. Seat Post Minimum and Maximum Insertion	52
30. Additional Documentation	53

To maintain the validity of the warranty, the bicycle must be fully assembled by an authorized Argon 18 dealer. High-end components, particularly carbon parts, require extra care during assembly.

These components must be installed using a torque wrench to ensure each bolt is at the specified torque setting to prevent damage.

AMP UP YOUR NEXT ADVENTURE



MY SUBITO

Date of Purchase: _____

Retailer: _____

Size: _____

Serial Number: _____

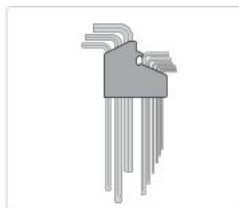
Hub Serial Number: _____

1. TOOLS NEEDED & FIRST AID KIT

1. Bearing Cup Press



2. Allen Key Set



3. Torx T25 Key



4. Carbon Paste & Grease



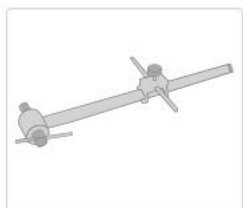
5. Utility Picks



6. Clean Rag



7. Derailleur Hanger Alignment Gauge



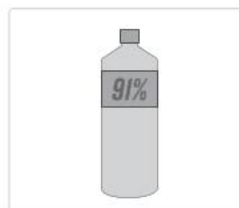
8. Cables and Housing Cutter



9. Thread Locker Medium strength



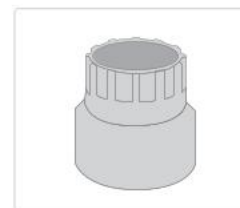
10. Isopropyl Alcohol



11. Torque Wrench



12. Cassette Lockring



IMPORTANT:

First Aid Kit: Essential parts to always have on hand
IN CASE OF EMERGENCY...THIS MIGHT SAVE YOUR RIDE!

1. Seat Post Clamp



2. Spare Rear Derailleur Hanger



2. FRAMESET INSPECTION

Before assembling your new Subito, please verify that you have all the following:

1. Frameset parts checklist (see p.7-9)
2. MAHLE X35+ parts checklist (see p.10-13)
3. Inspect the frame for cosmetic defects (scratches, bumps, cracks, paint defects, etc.)
4. For reference, record serial number on p.3
5. All the necessary bolts (refer to frameset parts, p.7-9)
6. For optimal shifting performance, use a derailleur alignment gauge to make sure that the derailleur hanger is straight



IMPORTANT:

Some of the following parts are already assembled on the frame. When assembling the bike, you will need to adjust these parts according to their torque specifications and fastener conditions when necessary.

NO.	AIB SKU#	FUNCTION	DESCRIPTION	SCREW TYPE	TORQUE	THREAD CONDITION	QTY
1	80806*	Chain Catcher Screw	M5 x 25mm Screw	Socket Head	3Nm	Nylock	1
2	81248	FD Hanger Screw	M5 x 16mm Screw	Flat Head	3Nm	Grease	2
3	81249	Water Bottle Screw	M5 x 14mm Screw	Button Head	3Nm	Grease	4
4	200898	Battery Screw	M5 x 8mm Screw	Button Head	5Nm	Dry	3
5	81251	BB Cover Screw	M4 x 10mm Screw	Button Head	Hand Tighten	Dry	2
7	81252	Charger Connector Screw	M3 x 10mm Screw	Flat Head	Hand Tighten	Dry	2
8	81252	One Remote Holder Screw	M3 x 10mm Screw	Flat Head	Hand Tighten	Dry	1
9	81252	Cable Clip Screw	M3 x 10mm Screw	Flat Head	Hand Tighten	Dry	1
10	81253	RD Hanger Screw	M3 x 8mm Screw	Flat Head	2Nm	Dry	2
11	81254	PAS Sensor Screw	M4 x 5mm Screw	Set Screw	Hand Tighten	Dry	1
12	81255	Rear Disc Screw	M5 x 8mm Torx Screw	Button Head	4Nm	Thread-Locker	6
13	80801*	Seat Post Collar Screw	M5 x 22mm Screw	Socket Head	4Nm	Grease	1
14	SP.KRYCS.273B*	Seat Post Rear Screw	M6 x 28mm Screw	-	9.5Nm	Grease	1
15	81052	Front Thru Axle	M12 x 1.5 Axle	-	12Nm	Grease	1
16	81228	Motor Lock Nut	M12 x 1.5 Nut	Rear Wheel Nut	35Nm	Grease	2
17	81227	Magnet Lock Nut	-	Cassette Lockring	40Nm	Grease	1

* Included with SKU

3. TROUBLESHOOTING / TIPS / SPECIFICATIONS

Brakes

Use only flat mount disc brakes. The frame is compatible with 160/180mm disc rotors. The rear caliper installation does not require an adapter for 160mm discs. Refer to 140mm disc rotor brake manufacturer's instructions. Rear mount thickness: 30mm.

The fork is compatible with 140/160mm disc rotors. An adapter might be required for front caliper installation. Consult brake manufacturer's instructions.

Tire Clearance

700c The largest tires that can be installed must be no wider than 40mm for the front and rear wheels. If fenders are installed, the tires must be no wider than 35mm.

650c The largest tires that can be installed must be no wider than 45mm for the front and rear wheels. If fenders are installed, the tires must be no wider than 40mm.

Seat Post

Ø 27.2mm

The saddle clamp is compatible with saddle rail up to 9 x 7mm.

Seat Post Collar

Ø 31.8mm

Bottom Bracket

BB86 (Press-fit)

Headset

Argon18 exclusive, FSA No 69 SRS + IST2 3D Press-fit (Bearing 1 1/2", 36° x 45° Top and Bottom + FSA TH-881-1 Compressor included)



IMPORTANT:

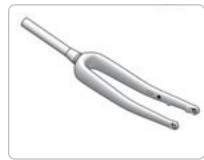
No more than 30mm of spacers can be placed between the stem and the top cap of the 3D system. The use of more than 5mm of spacers on top of the stem could affect the efficiency of the compressor. These practices will automatically void any warranty claim against the manufacturer.



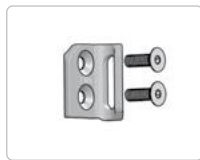
IMPORTANT:

The MAHLE X35+ system is shipped to retailers in Demo mode. When the bike is sold, it must be taken out of Demo mode. Please see related documentation on our B2B portal. Demo mode will allow for a maximum of 50km of riding, after which the motor will stop working.

4.1 FRAMESET SKUS AND DESCRIPTIONS



FK.SUBR.M-XL.360A
FK.SUBR.XXS-S.360A
FK.SUBG.M-XL.360B
FK.SUBG.XXS-S.360B



81238 &
81248 (screws)



38446



80811



100312



81252



80801



81255



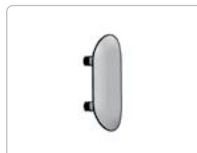
81234



81235 &
81253 (screws)



80806



81240



80264



81254



81054



81045



SP.SUBI.273A.LIGHT



80808



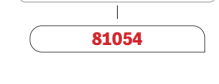
200898



81242



80804



80805



100165



100163 &
100164 (Bracket)



100166



100571 (360A)
100572 (360B)



81249



80826



81239 &
81252 (screw)



100313



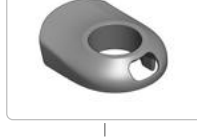
100314



100315



100316



100569 (360A)
100570 (360B)



80549



80550



81052



200829



200845



81241 &
81251 (screws)



80988



80551



80985

4.2 FRAMESET SKUS AND DESCRIPTIONS

NO.	NAME	A18 SKU#	QTY
1	Subito Frame	Not available as spare part.	1
2	Subito Fork (XSS/XS/S) -OR- Subito Fork (M/L/XL)	FK.SUBR.XXS-S.360A FK.SUBG.XXS-S.360B FK.SUBR.M-XL.360A FK.SUBG.M-XL.360B	1
3	Subito Seatpost With Hole	SP.SUBI.273A.LIGHT	1
4	Seatpost Collar 31.8mm	80801	1
5	Rear Derailleur Hanger	81235	1
6	FD Hanger Removable	81238	1
7	CS Wire Clip	81239	1
8	FD Plug	81240	1
9	BB Opening Cover	81241	1
10	FD Cable Stopper	81242	1
11	Oblong Plug	80549	1
12	Cable Guide Oblong	80550	1
13	Chain Catcher (Incl. Small/Large, Washer and Screw)	80806	1
14	Plastic Plug M5	80264	9
15	Long Grommet Mechanical	80985	2
16	Long Plug Grommet	80804	4
17	Long Grommet Di2	80805	3
18	Rear Brake Oblong Cable Guide	80551	2
19	Oblong Plug	80826	1
20	Foam Liner	80811	3
21	FSA Headset NO.69/SRS System	100312	1
22	A18 Front Thru Axle M12 x 1.5 x 119	81052	1
23	A18 Thru Axle Lever	81054	1
24	Fender Bracket	80808	1
25	Battery Holder	38446	1
26	FD Hanger Screw	81248	2
27	Water Bottle Screw	81249	4
28	Battery Screw	200898	3
29	BB Cover Screw	81251	2

4.3 FRAMESET SKUS AND DESCRIPTIONS

NO.	NAME	AIB SKU#	QTY
30	Charger Connector, One Remote Holder and Cable Clip Screw	81252	4
31	RD Hanger Screw	81253	2
32	PAS Sensor Screw	81254	1
33	Rear Disc Screw	81255	6
34	IST2 SRS Custom Cap	100569 (360A) -OR- 100570 (360B)	1
35	IST2 25mm Cap	100571 (360A) -OR- 100572 (360B)	1
36	IST2 25mm Column	200845	1
37	IST2 Sleeve	200829	1
38	Dirt Guard Kit, Two Parts	80988	1
39	CS Protector (Same as Dark Matter, Refer to Subito Installation Instructions)	81045	1
40	Chainsuck Guard	81234	1
41	LiteMove Front Light + Cable 450mm	100163	1
42	LiteMove Front Light Bracket	100164	1
43	LiteMove Rear Light	100165	1
44	LiteMove Cable Connector	100166	1
45	Connector Housing FEMALE Socket, 2 pin, Rectangular, Waterproof	100313	1
46	Connector Housing MALE Socket, 2 pin, Rectangular, Waterproof	100314	1
47	Connector Crimp PIN JWPF, 22-26 AWG	100315	2
48	Connector Crimp SOCKET JWPF, 22-26 AWG	100316	2

5.1. MAHLE X35+ SKUS AND DESCRIPTIONS – NORTH AMERICA

North American Version

81184 (314A) 700C
81192 (314B) 650B



81183 (314A) 700C
81185 (314B) 650B



Available Separately

81233



North American Version 81217



81227



81218



81229

North American Version



81225



81228



81230



81226



81232



81231



81219



81223



81563



200753



81220

5.2. MAHLE X35+ SKUS AND DESCRIPTIONS – NORTH AMERICA

NO.	NAME	AIB SKU#	QTY
PARTS INCLUDED IN THE FRAMESET			
1	Rear Wheel Road – North America (for 360A) -OR- Rear Wheel Gravel – North America (for 360B)	81184 -OR- 81192	1
2	Front Wheel Road – North America (for 360A) -OR- Front Wheel Gravel – North America (for 360B)	81183 -OR- 81185	1
3	KIT X35 – C – One Flat – North America	81217	1
3.1	X35 B1-C Battery – 6.9A	81218	1
3.2	Drive Unit-M1-C – North America (*Already Included in the Rear Wheel)	81225	1
3.3	Torque Washer Nut	81229	2
3.4	Motor Lock Nut	81228	2
3.5	Shield M1	81230	1
3.6	Freewheel Nut	81226	1
3.7	One Remote	81231	1
3.8	Charging Point – ROUND CONN.	81220	1
3.9	PAS Sensor B – ROUND CONN.	81232	1
3.10	Magnet Lock Nut	81227	1
3.11	Charger-C (Without Wire)	81219	1
3.12	Charger Wire for North America	81223	1
4	One Remote Curved Holder	200753	1
5	Light Wire – eBikeMotion X35	81563	1
OPTIONAL PARTS THAT CAN BE ORDERED SEPARATELY			
-	External Battery SP1 + Holder	81233	1
-	PCAN USB Adaptor	81282	1
-	Diagnosis Wire	81283	1

6.1. MAHLE X35+ SKUS AND DESCRIPTIONS - EU

European Version

81187 (314A) 700C
81189 (314B) 650B



81186(314A) 700C
81188 (314B) 650B



Available Separately

81233



European Version 81216



81227



81218



81229

European Version



81224



81228



81230



81226



81232



81231



81219



200753



81563



81221



81222

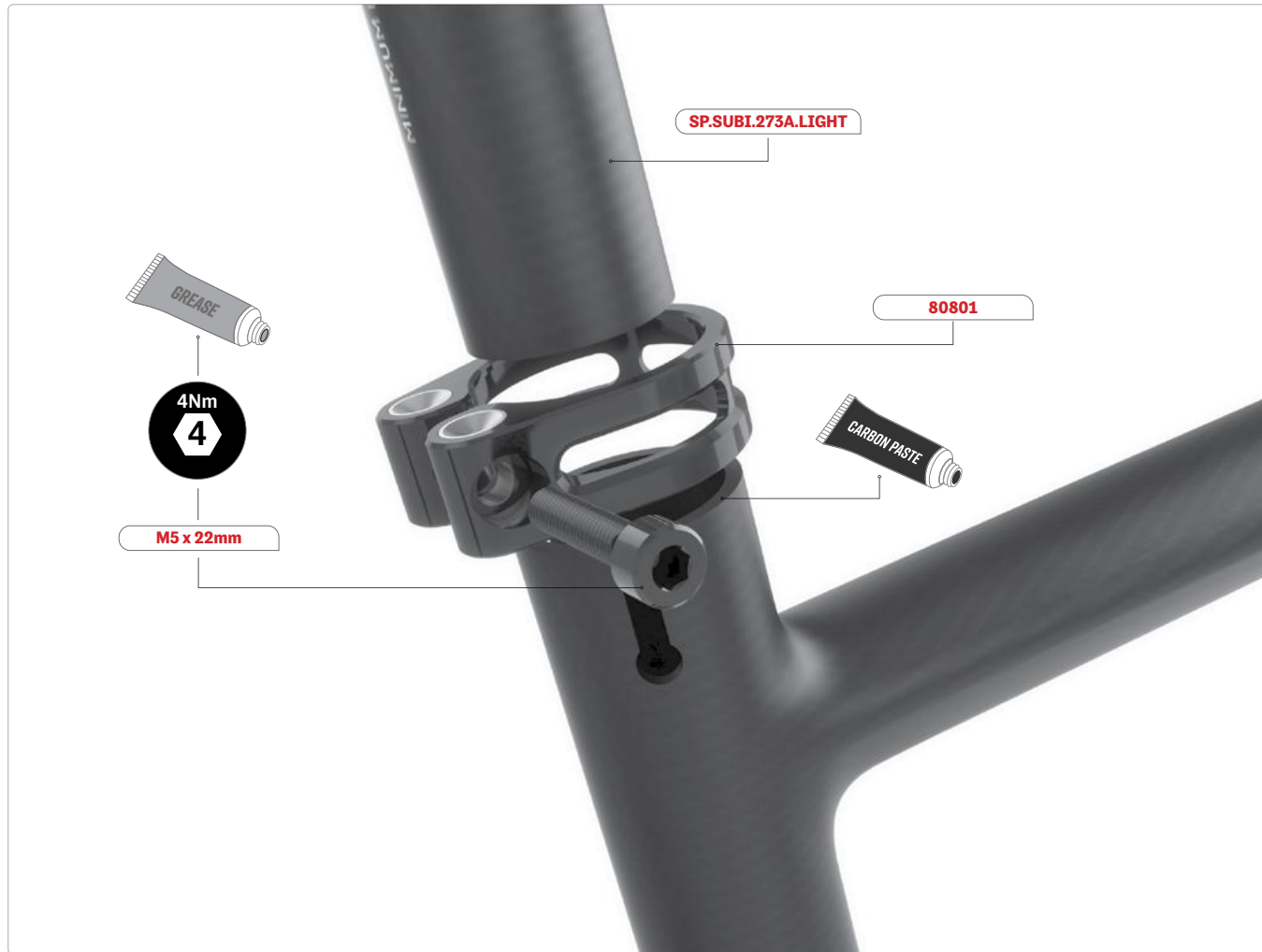


81220

6.2. MAHLE X35+ PARTS AND DESCRIPTIONS – EU

NO.	NAME	AIB SKU#	QTY
PARTS INCLUDED IN THE FRAMESET			
1	Rear Wheel Road – EU (for 314A) -OR- Rear Wheel Gravel – EU (for 314B)	81187 -OR- 81189	1
2	Front Wheel Road – EU (for 314A) -OR- Front Wheel Gravel – EU (for 314B)	81186 -OR- 81188	1
3	KIT X35 – C – One Flat – EU	81216	1
3.1	X35 B1-C Battery - 6.9A	81218	1
3.2	Drive unit-M1-C – EU (*Already Included in the Rear Wheel)	81224	1
3.3	Torque Washer Nut	81229	2
3.4	Motor Lock Nut	81228	2
3.5	Shield M1	81230	1
3.6	Freewheel Nut	81226	1
3.7	One Remote	81231	1
3.8	Charging Point – ROUND CONN.	81220	1
3.9	PAS Sensor B – ROUND CONN.	81232	1
3.10	Magnet Lock Nut	81227	1
3.11	Charger-C (Without Wire)	81219	1
3.12	Charger Wire for Europe	81221	1
3.13	Charger Wire for United Kingdom	81222	1
4	One Remote Curved Holder	200753	1
5	Light Wire – eBikeMotion X35	81563	1
OPTIONAL PARTS THAT CAN BE ORDERED SEPARATELY			
-	External Battery SP1 + Holder	81233	1
-	PCAN USB Adaptor	81282	1
-	Diagnosis Wire	81283	1

7. SEAT POST COLLAR ASSEMBLY



1. Assemble the seat post collar (SKU: 80801) on the frame.
2. Apply grease on the threads of the M5 x 22mm bolt.
3. Apply carbon paste on the inside of the frame (seat tube).
4. Insert the seat post (SKU: SP.KRYCS.273B) to the desired height.
5. Tighten the M5 x 22mm bolt to 4Nm.



IMPORTANT:

Refer to p.52 for seat post MIN and MAX insertion limits.

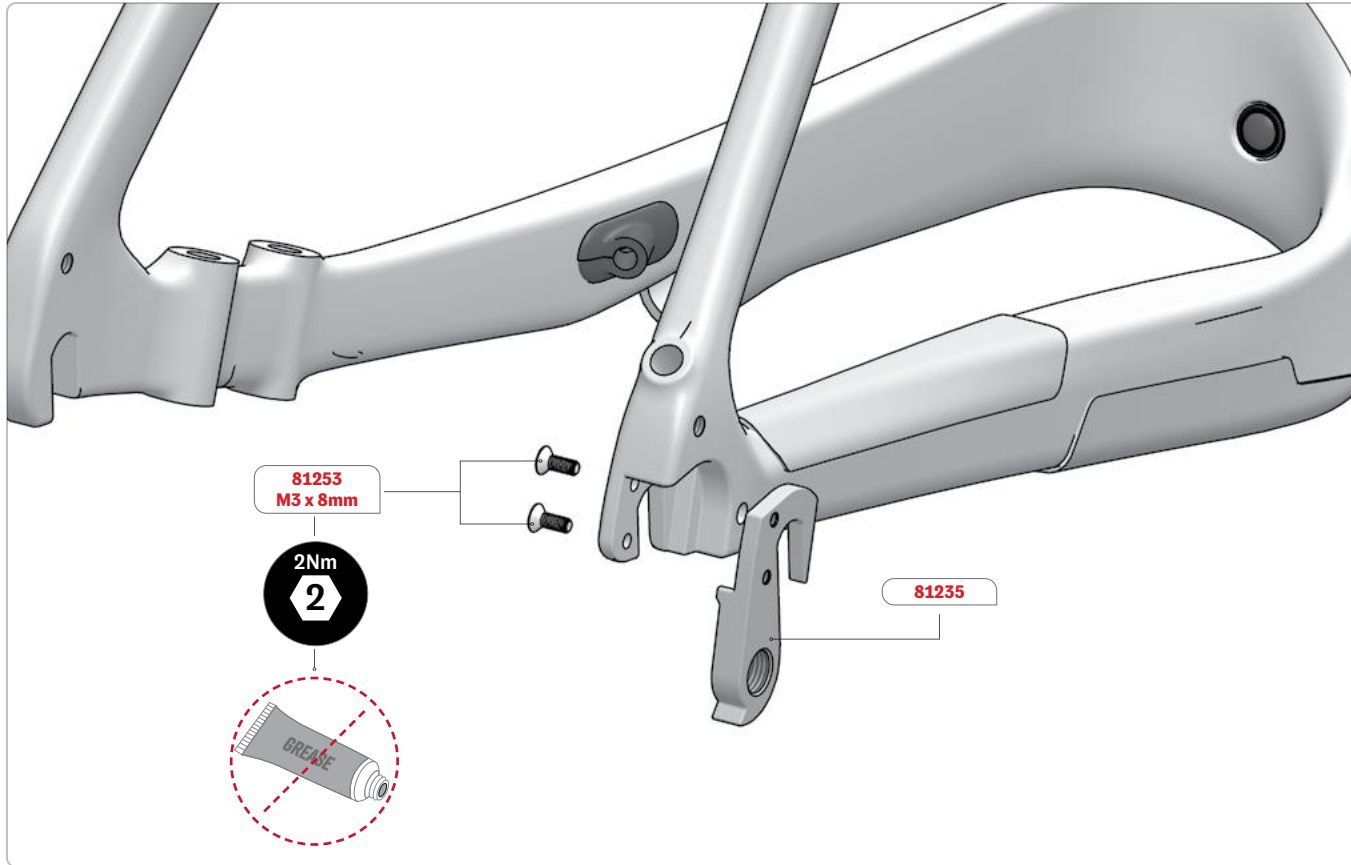
8. SEAT POST ASSEMBLY



The seat post is supplied fully assembled.

1. Unscrew both bolts slightly until the top clamp (a) and the cradle (b) are separated enough to insert the saddle rail. Do not unscrew the bolts completely.
2. Apply grease on the threads of each bolt.
3. Tighten both bolts in order to adjust the angle of the saddle and clamp the rail.
4. Tighten the rear bolt to 9.5Nm.

9. REAR DERAILLEUR HANGER ADJUSTMENT

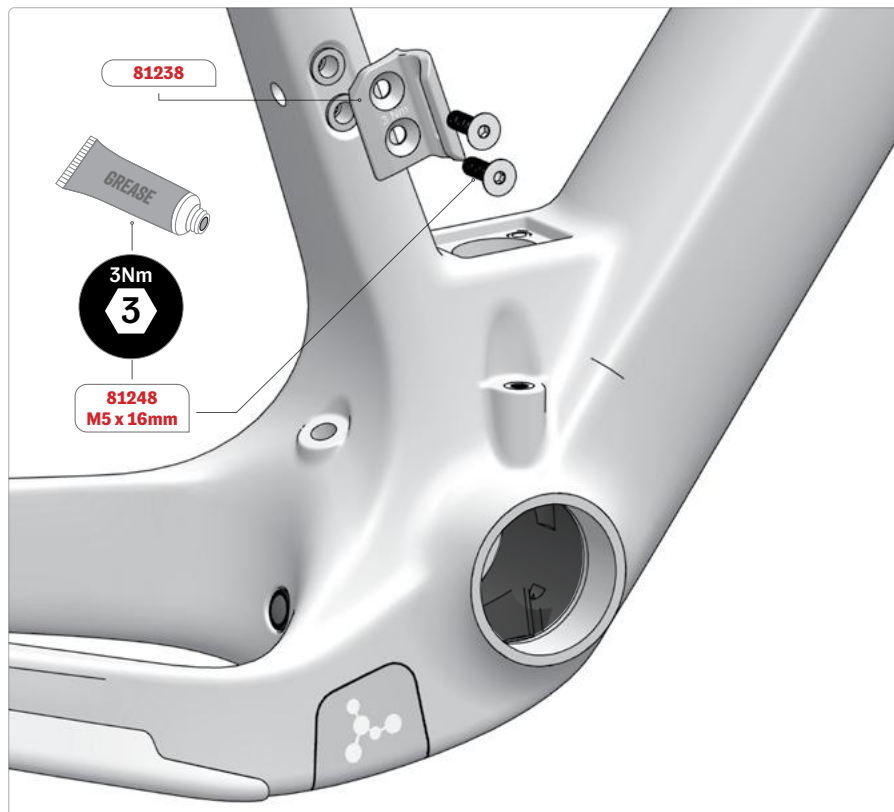


1. Assemble the rear derailleur hanger (SKU: 81235) on the frame with the two bolts (Flat head cap screw M3 x 8mm SKU: 81253).
2. Tighten bolts to 2Nm. Do not apply grease on the threads.
3. Use a rear derailleur hanger alignment gauge to align the rear derailleur hanger.

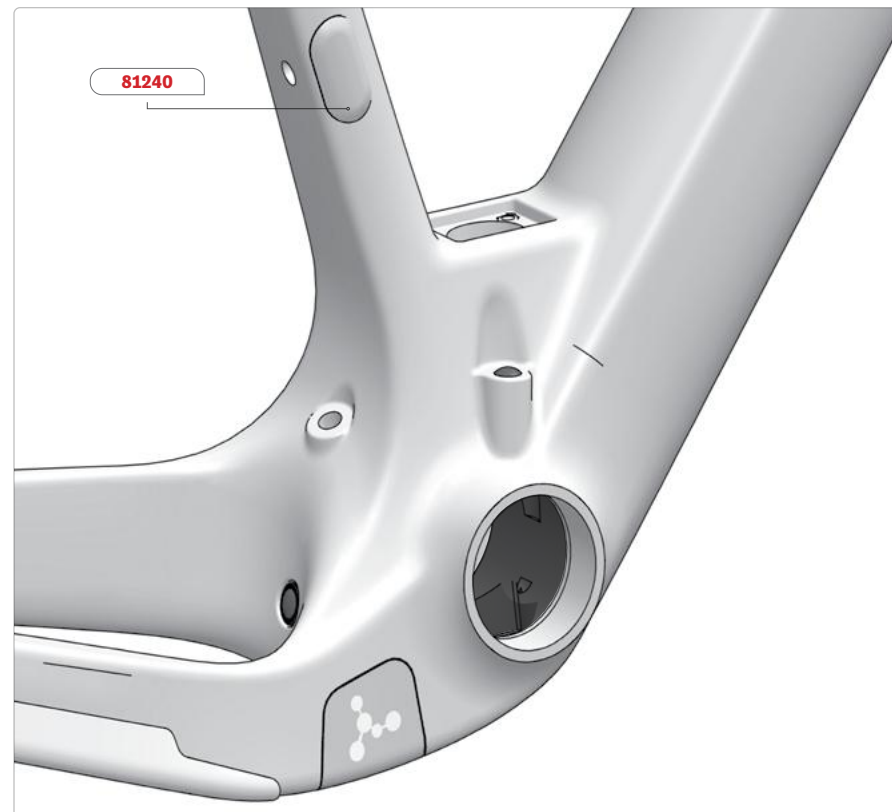
For assistance, visit Park Tool's website at:

<https://www.parktool.com/blog/repair-help/rear-derailleur-hanger-alignment>

10. FRONT DERAILLEUR HANGER ASSEMBLY



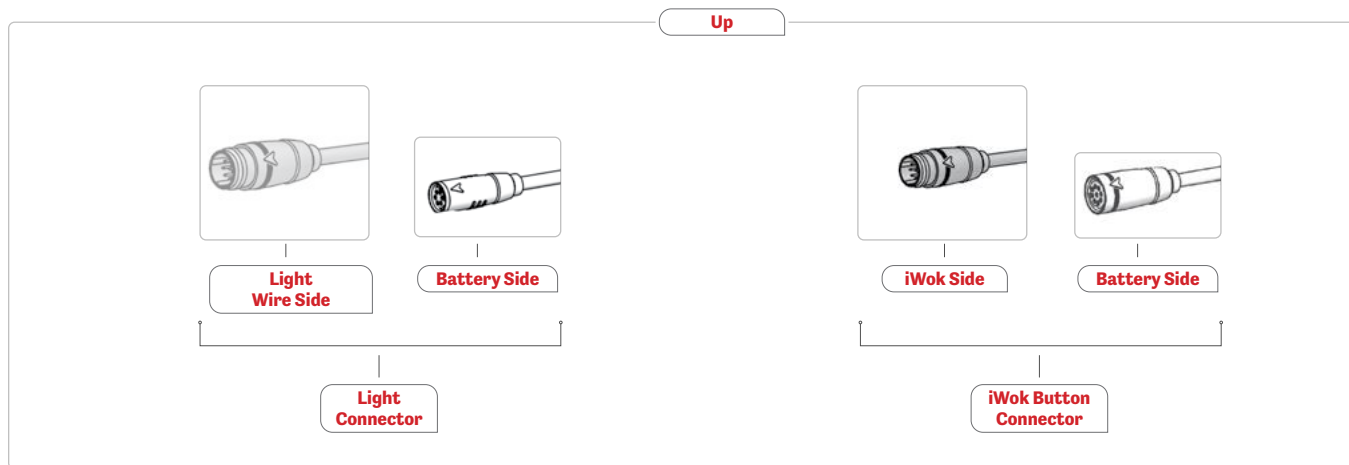
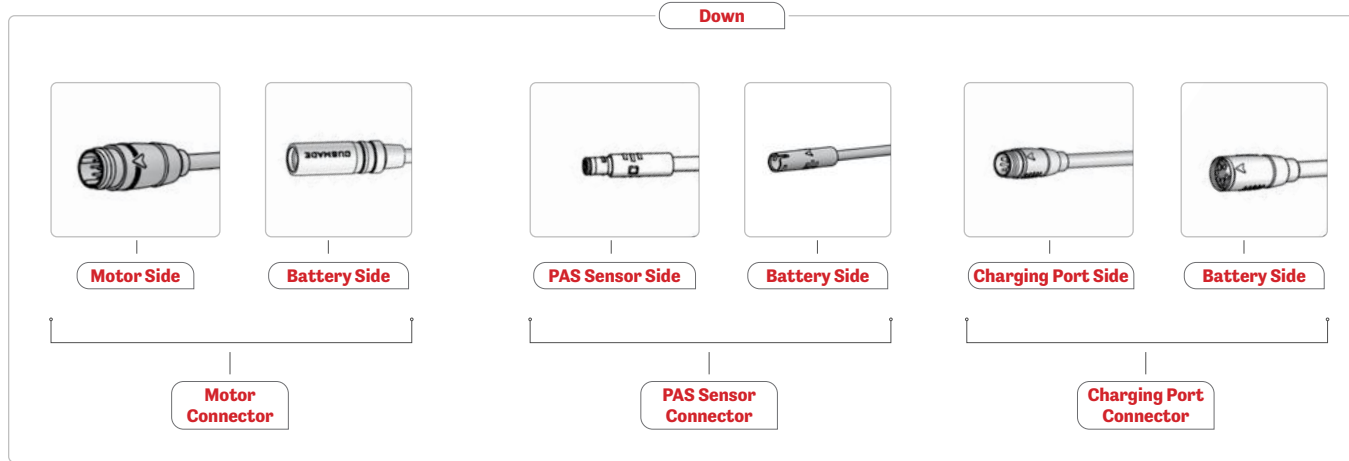
1. Apply grease on the thread of both M5 x 16mm bolts (SKU: 81248).
2. Assemble the front derailleur hanger (SKU: 81238) on the frame with the two bolts.
3. Tighten screws to 3Nm.



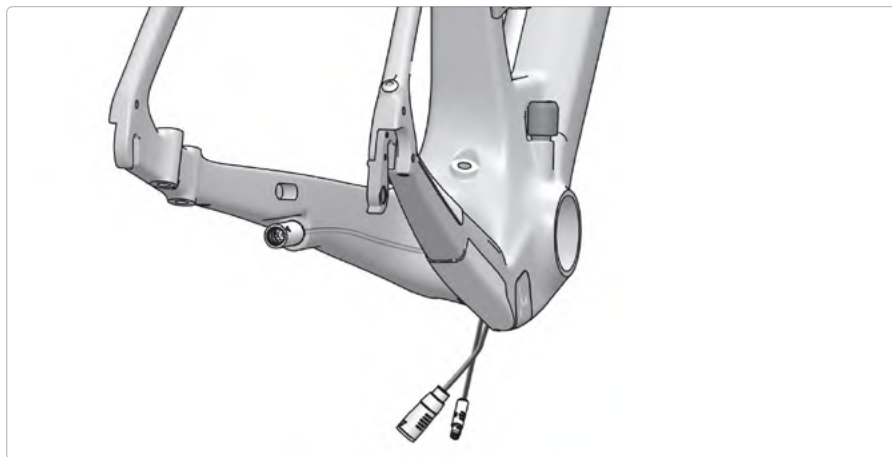
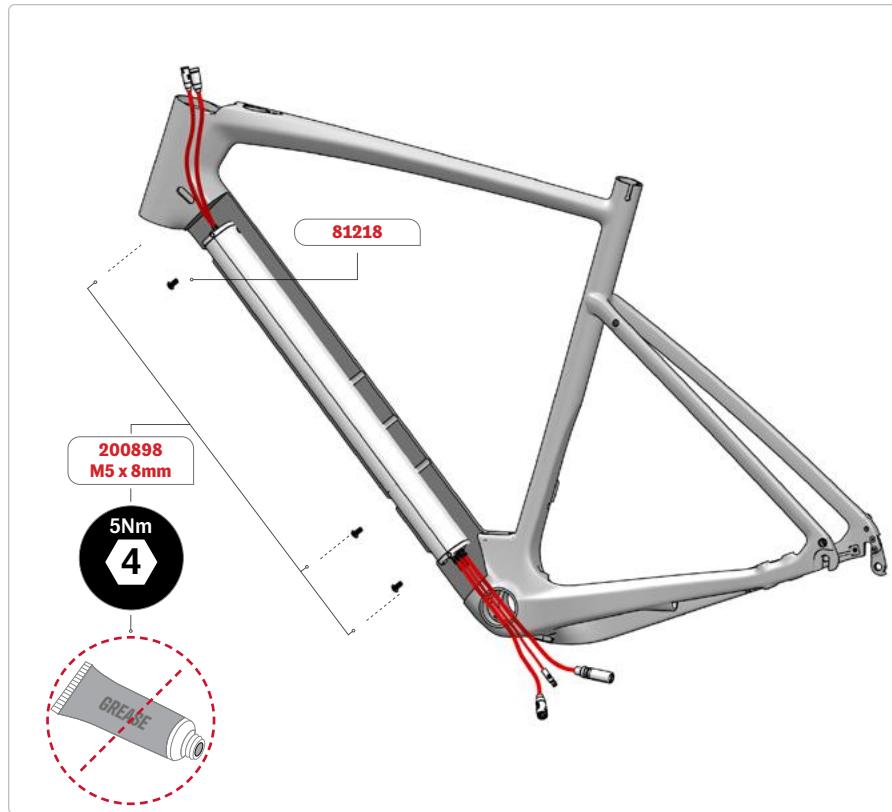
Using a Single Chainring Set-Up:

1. Install the FD plug (SKU: 81240) to cover the hole.

II.1 MAHLE CONNECTOR IDENTIFICATION



11.2 BATTERY INSTALLATION



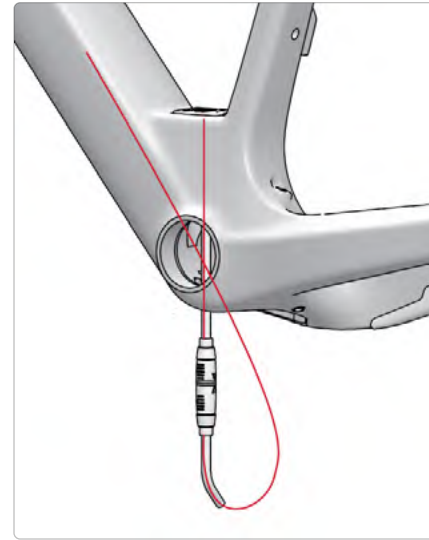
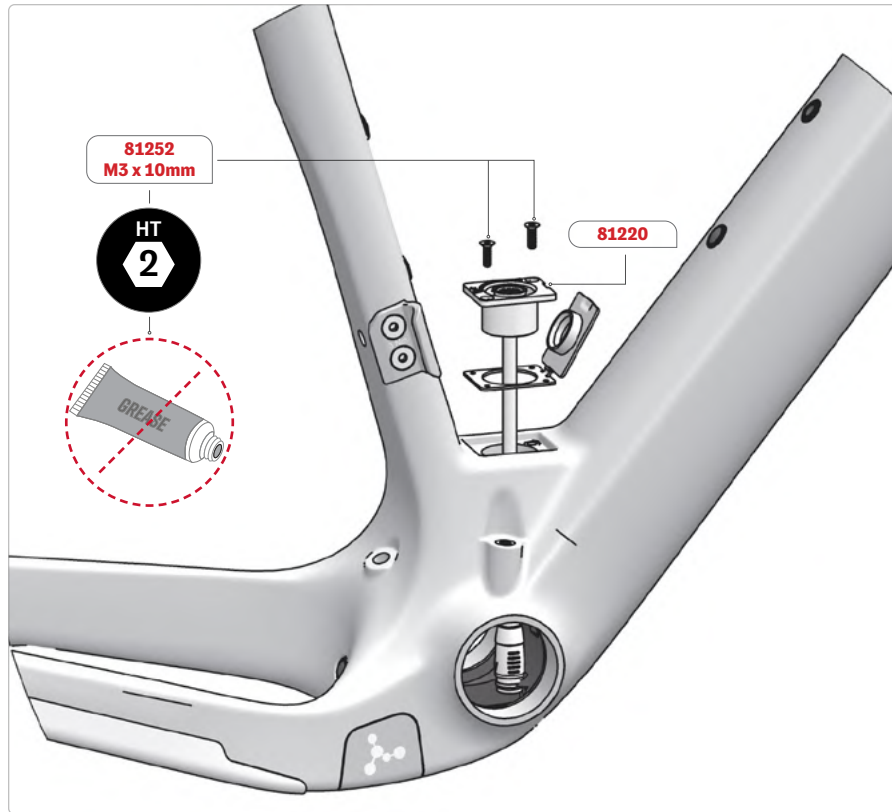
1. Always remove all Water Bottle Screws (81249) and Plastic Plug M5 (80264) from the frame's downtube before insertion or removal of the battery.
2. Insert the battery (SKU: 81218) through the hole under the bottom bracket. The three threaded mounting holes on the battery must face down. The side with the two connectors (iWok button connector and light connector) must be inserted first.
3. Guide the two connectors (iWok button connector and light connector) through the top of the head tube.
4. Install the three M5 x 8mm battery screws (SKU: 200898). Once the three screws are installed, tighten to 5Nm. Do not apply grease to the threads.
5. Guide the motor connector into the NDS chainstay and through the exit hole.



IMPORTANT

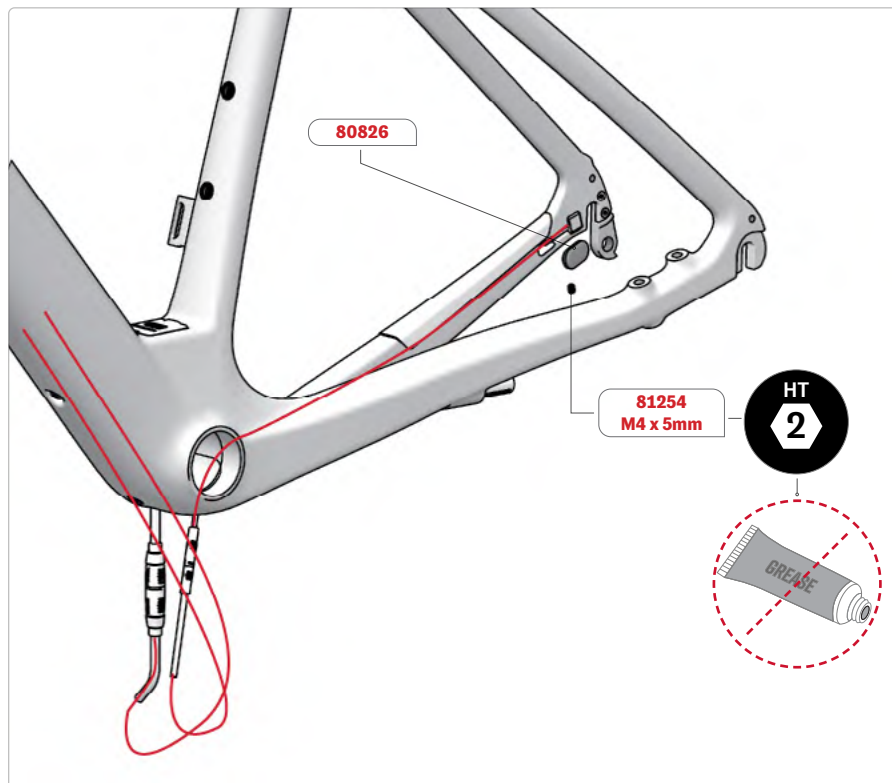
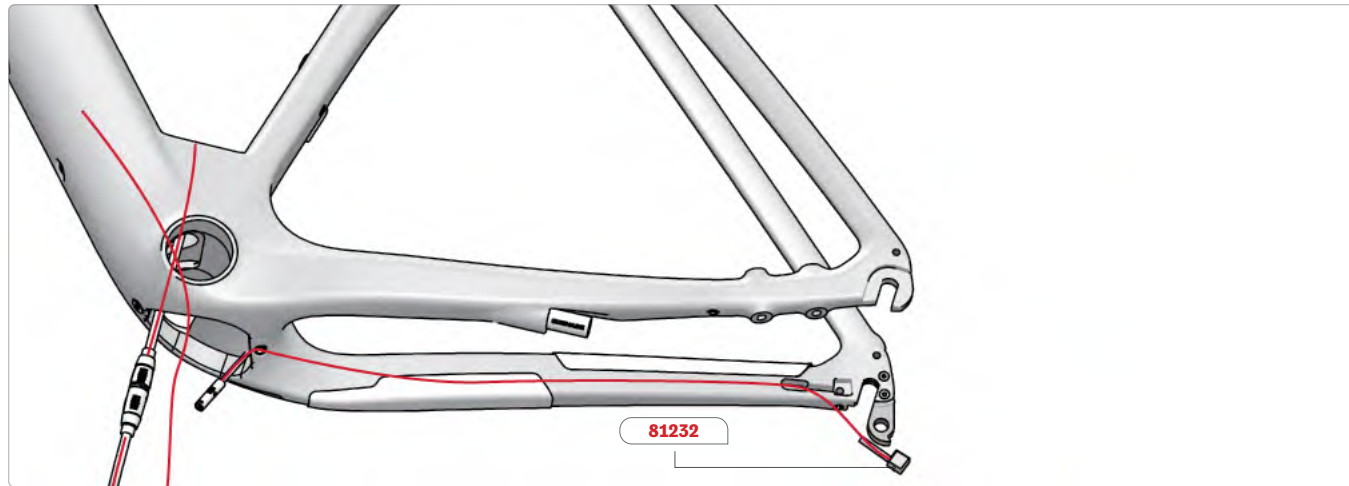
Use only M5 x 8mm screws. Using longer screws will damage the battery and void the warranty.

11.3 CHARGING PORT INSTALLATION



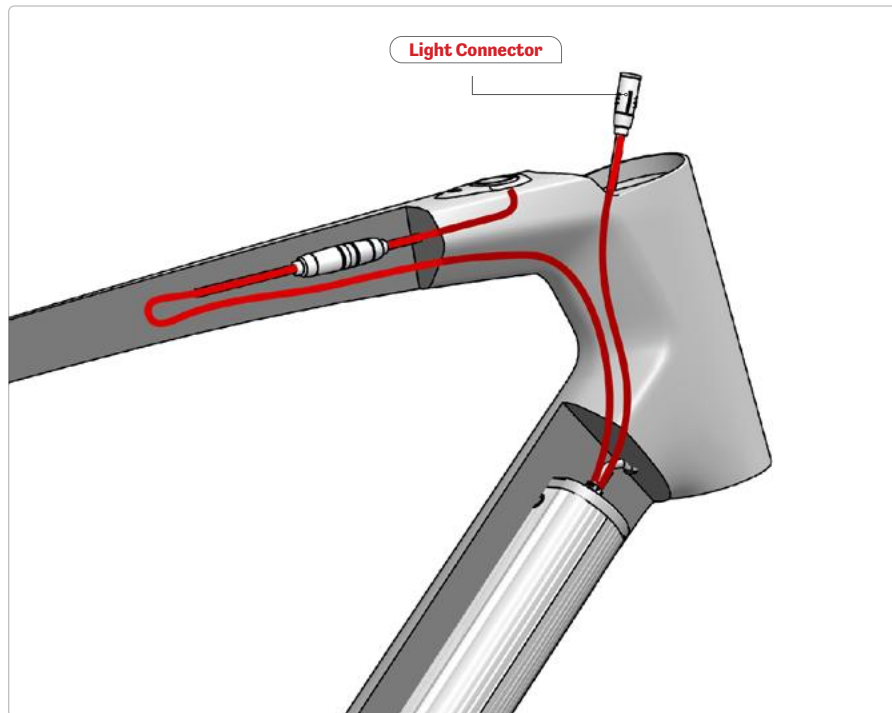
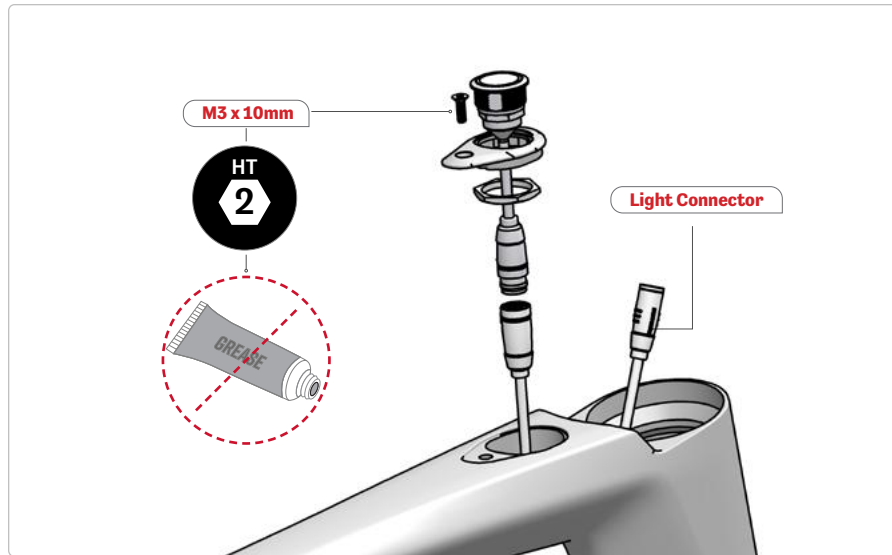
- 1.** Install the charging port with the arrow pointing to the rear of the bike, that way the cover will open facing the down tube.
- 2.** Allow the charging port connector to exit through the BB hole.
- 3.** Install and tighten both M3 x 10mm screw (SKU: 81252) only by hand, do not apply grease on the threads.
- 4.** Connect the charging port connector to the matching connector on the battery. Align both arrows on each connector.

11.4 PAS SENSOR INSTALLATION

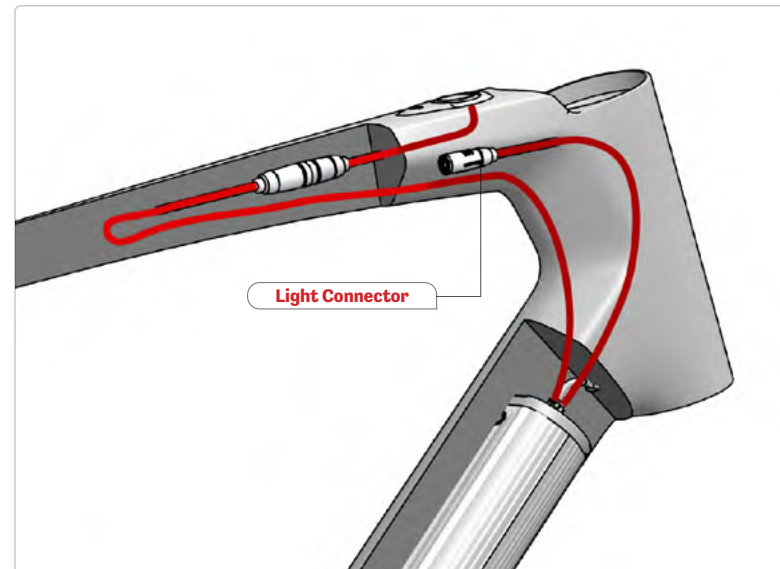


1. Insert the cable of the PAS sensor (SKU: 81232) from the hole on the interior of the drive side chainstay.
2. Exit the cable through the hole under the bottom bracket.
3. Push the PAS sensor to the bottom of the PAS cavity.
4. Hand tighten the M4 x 5mm setscrew (SKU: 81254) to secure the PAS sensor. Do not apply grease on the threads.
5. Insert the grommet (SKU: 80826) to cover the cable insertion hole.
6. Connect the PAS sensor cable to the matching connector on the battery. You will hear a clicking sound.

11.6 IWOC ONE INSTALLATION



1. Guide the iWoc one remote connector from the battery through the top tube hole.
2. Assemble the iWoc one remote (SKU: 81231) on the iWoc one remote curved holder (SKU: 200753).
3. Install the iWoc one remote nut and turn clockwise approximately 3 turns.
4. Hold the iWoc one remote and turn the iWoc one remote curved holder (SKU: 200753) until the assembly is tight.
5. Connect the iWoc one remote connector to the matching connector on the battery.
6. Push the cable in the top tube toward the seat tube.
7. Insert the iWoc one remote and holder assembly in the top tube hole.
8. Align the hole with the rivet and hand tighten the M3x10mm screw. Do not apply any grease to the screw.
9. If light isn't installed, push the light connector in the top tube.

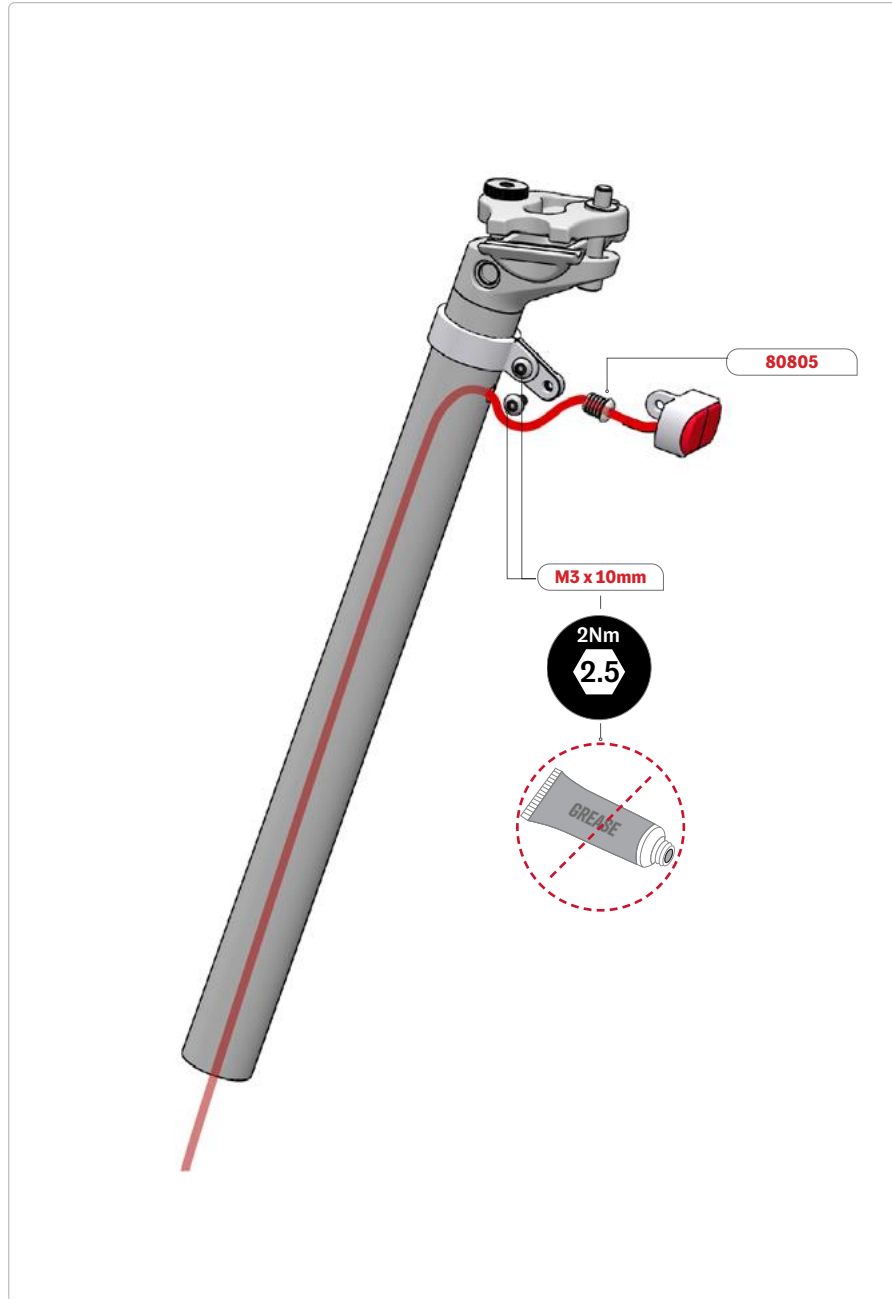


12. CABLE AND HOUSING ROUTING - LIGHT



1. All cables must be routed above the battery.
2. Connect the eBikemotion X35 Light Wire to the connector exiting the headtube.
3. Guide the rear light end in the downtube and seat tube until it exits at the top of the seat tube.
4. Install the female connector referring to a JWPF connector installation.
5. Guide the front light end through the hole in the side of the downtube.
6. Push the connector above the battery in the downtube. Make sure it will not interfere with the steer tube.

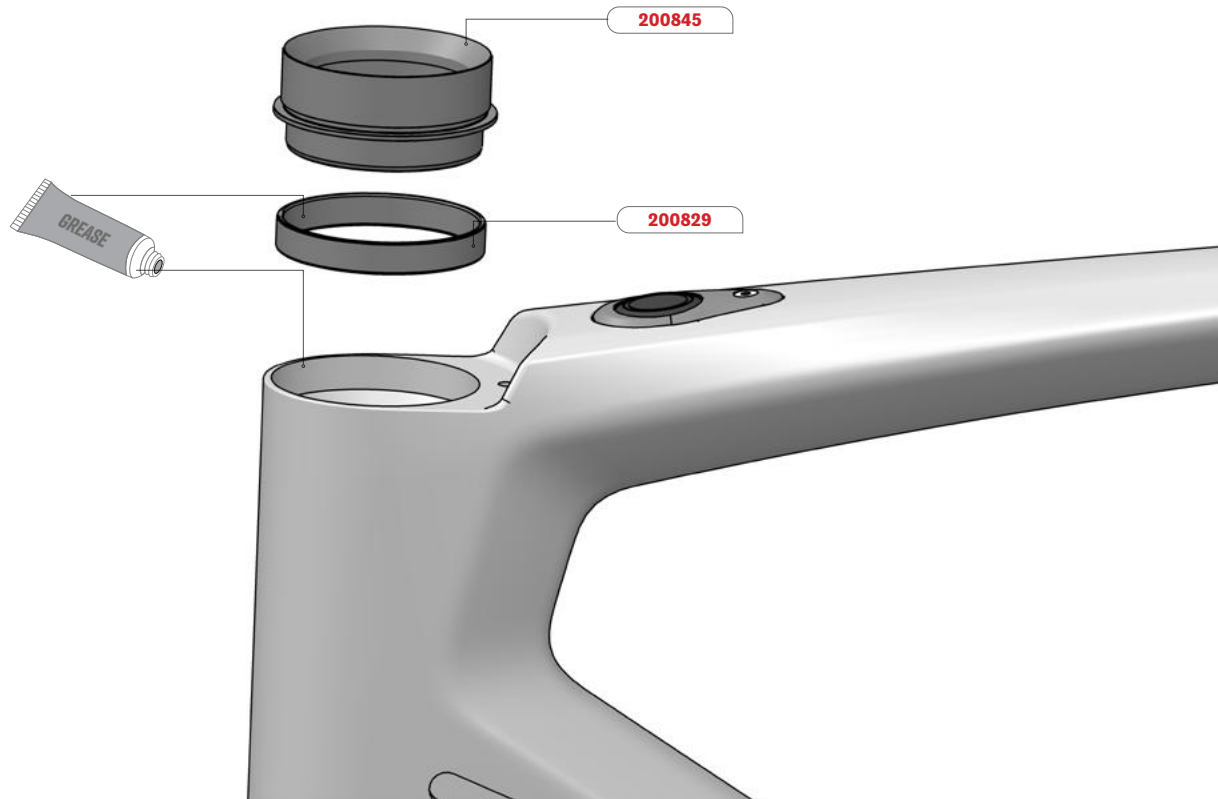
13. REAR LIGHT INSTALLATION



1. Install the rear light above the hole on the seatpost.
2. Tighten both M3x8mm screws to 2Nm.
3. Guide the cable in the seatpost through the hole.
4. Attach the rear light, using the M3x8mm screw.
5. Install the male connector referring to a JWPF connector installation.
6. Install the long Grommet Di2 (SKU: 80805) in the hole of the seatpost.
7. If not using the rear light, install the Long Plug Grommet (SKU: 80804) to cover the hole on the seat tube.

14. 3D HEADSET INSTALLATION

AS WITH ALMOST ALL ARGON 18 BIKES, THE SUBITO PROVIDES YOU WITH THE BENEFIT OF THE 3D SYSTEM. THIS SYSTEM ALLOWS FOR 2 POSITIONS: 0MM AND 25MM.



If the 25mm 3D headset is wanted, follow the steps below, if no 3D headset is wanted, no action are required:

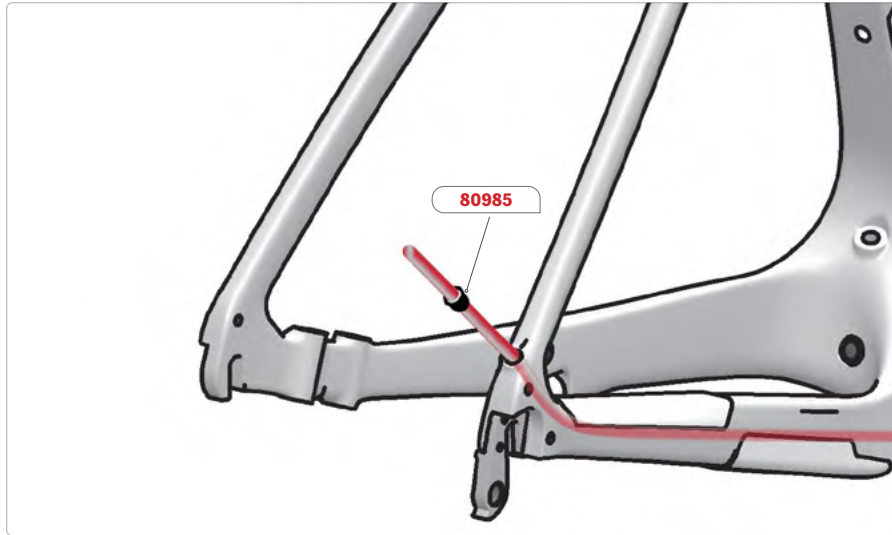
- 1.** Install the 3D headset IST2 plastic sleeve (SKU: 200829) into the top of the head tube. (Apply grease on the sleeve)
- 2.** Insert the 3D headset IST2 25mm Column (SKU: 200845). (Apply grease)
- 3.** Secure the assembly using a headset press.

15.1 CABLE AND HOUSING ROUTING - MECHANICAL SHIFTING



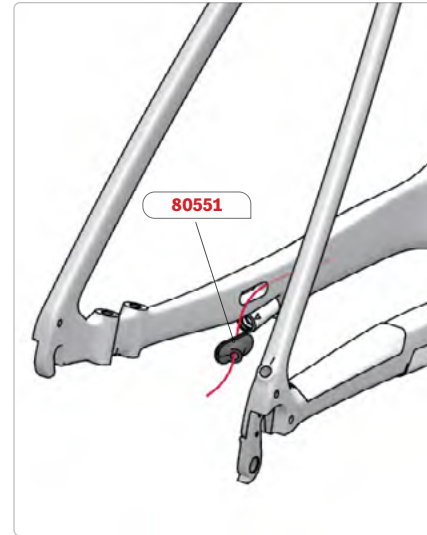
1. All cables must be routed above the battery.
2. The rear brake hose will be above the BB once installed.
3. Both derailleur housings will be under the BB once installed.
4. All housing can be covered by a foam liner (SKU: 80811).
5. Refer to the Internal Routing Guide on the website (www.argon18.com/en-ca/support/downloads) for the cable configuration around the steerer tube, this depends on the choice of cockpit.

15.2 CABLE AND HOUSING ROUTING - MECHANICAL SHIFTING



Rear derailleur:

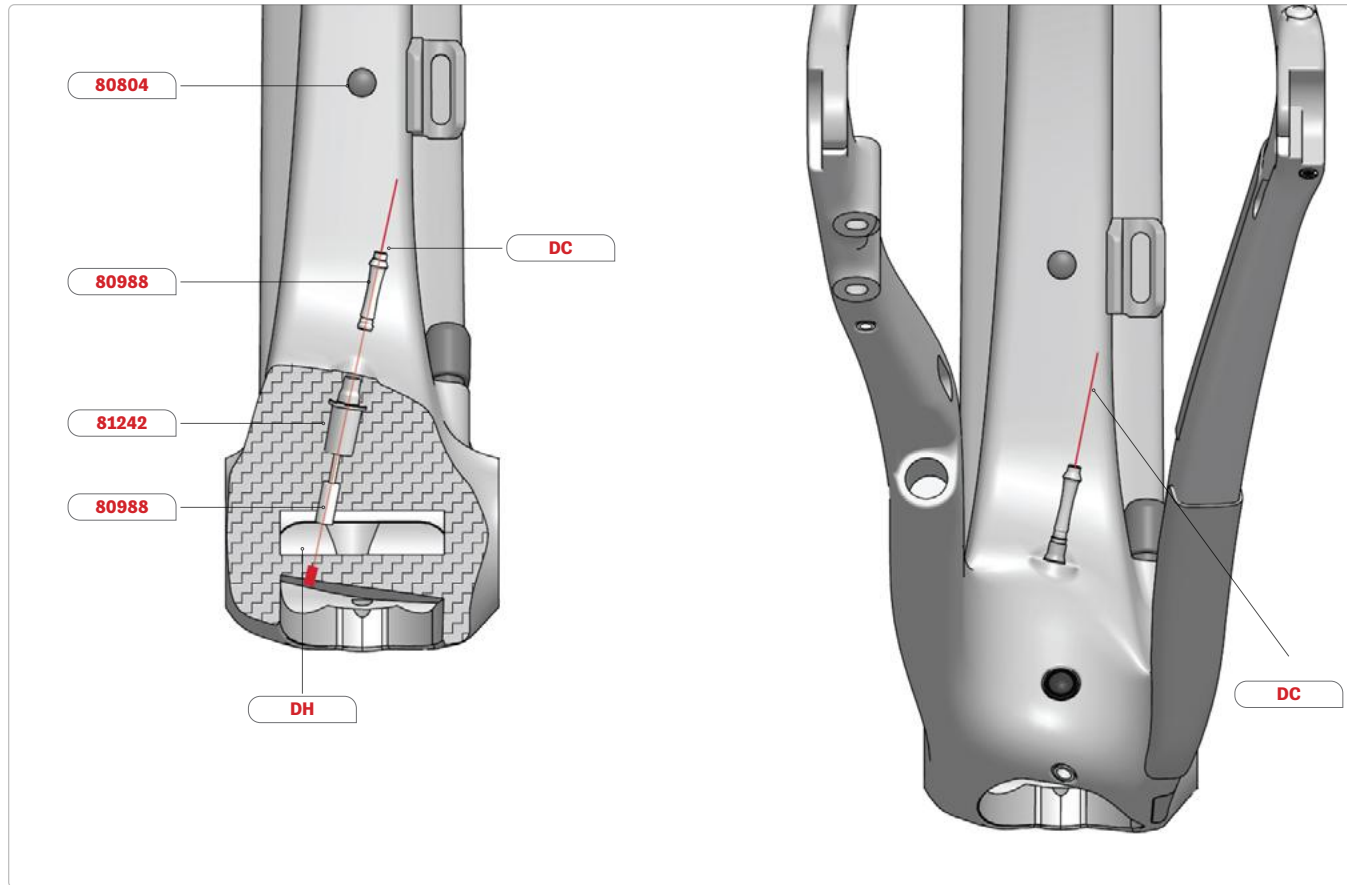
1. Insert housing from rear hole on the seat stay.
2. Guide the housing over the battery through the BB hole.
3. Exit the housing through the side guide hole.
4. Insert the mechanical grommet (SKU: 80985) on the seat stay hole.



Rear brake:

1. Insert hose from rear hole on the chainstay.
2. Guide the hose over the battery through the BB hole.
3. Exit the hose through the side guide hole.
4. Insert the rear brake oblong cable guide (SKU: 80551) into the chainstay hole.

15.3 CABLE AND HOUSING ROUTING - MECHANICAL SHIFTING

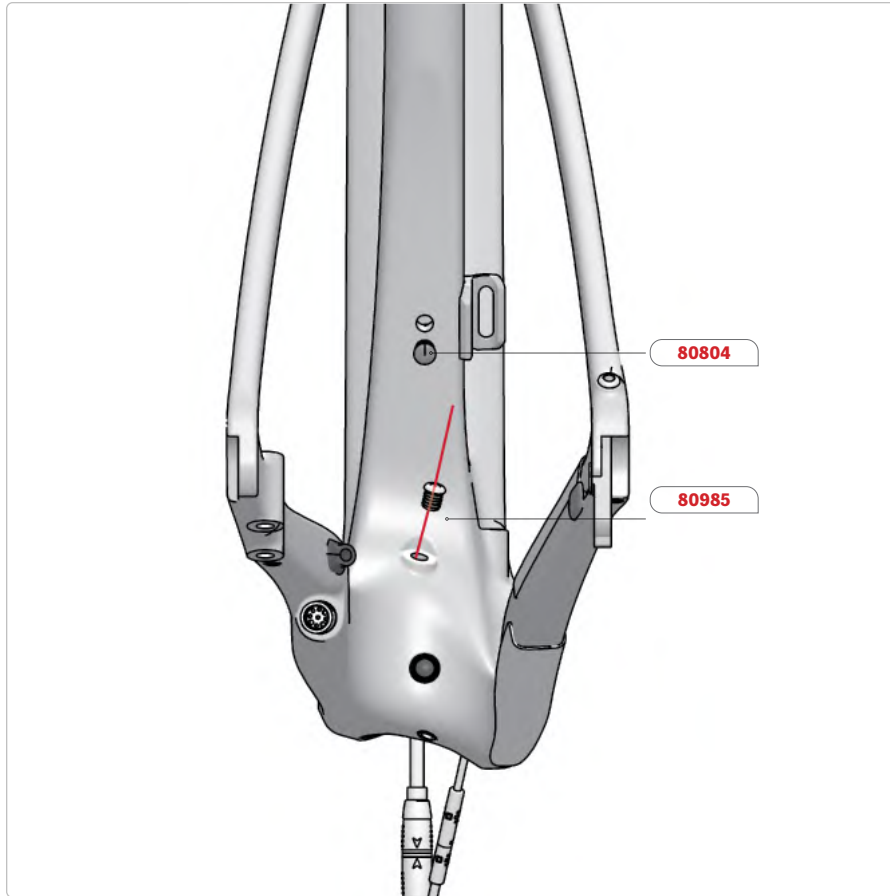


Front derailleur with cable stop:

- 1.** Insert front derailleur housing from side guide hole.
- 2.** Once the housing exits from the BB hole, install the dirt guard kit (SKU: 80988).
- 3.** Install the FD cable stopper (SKU: 81242).
- 4.** Install the cable in the housing.
- 5.** Install the rubber dust seal (included in SKU: 80988).

- 6.** Guide the housing in the hole behind the BB.
- 7.** Install the plug grommet (SKU: 80804) into the Di2 seat tube hole.

15.4 CABLE AND HOUSING ROUTING - MECHANICAL SHIFTING



Front derailleur with full housing:

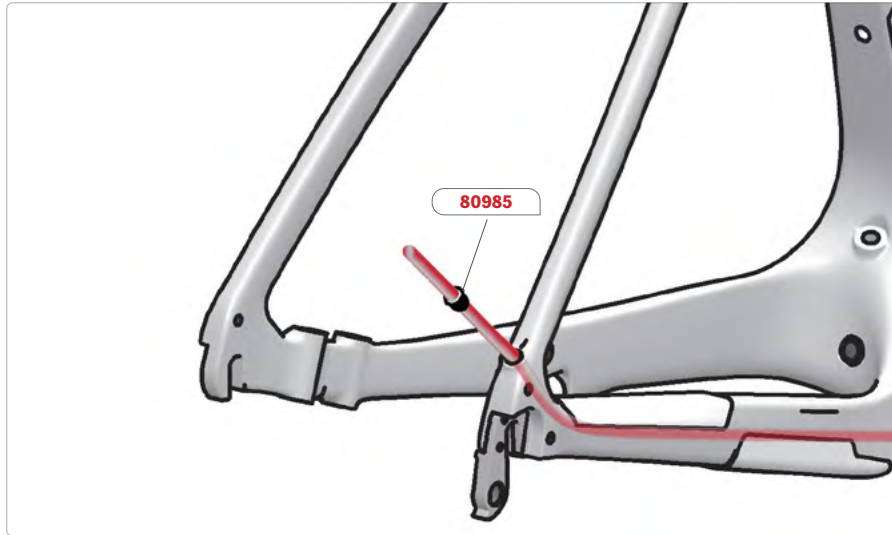
- 1.** Housing length will depend on the chainring.
- 2.** Insert front derailleur housing from side guide hole.
- 3.** Once the housing exits from the BB hole, guide the housing in the hole behind the BB.
- 4.** Install the mechanical grommet (SKU: 80985).
- 5.** Install the housing ferrule.
- 6.** Install the plug grommet (SKU: 80804) into the Di2 seat tube hole.

16.1 CABLE AND HOUSING ROUTING - MECHANICAL IX SHIFTING



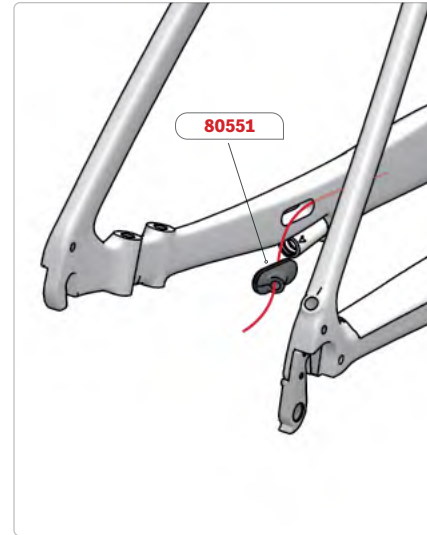
1. All cables must be routed above the battery.
2. The rear brake hose will run above the BB once installed.
3. The rear derailleur housing will be under the BB once installed.
4. All housing can be covered by a foam liner (SKU: 80811).
5. Refer to the Internal Routing Guide on the website (www.argon18.com/en-ca/support/downloads) for the cable configuration around the steerer tube, this depends on the choice of cockpit.

16.2 CABLE AND HOUSING ROUTING - MECHANICAL IX SHIFTING



Rear Derailleur:

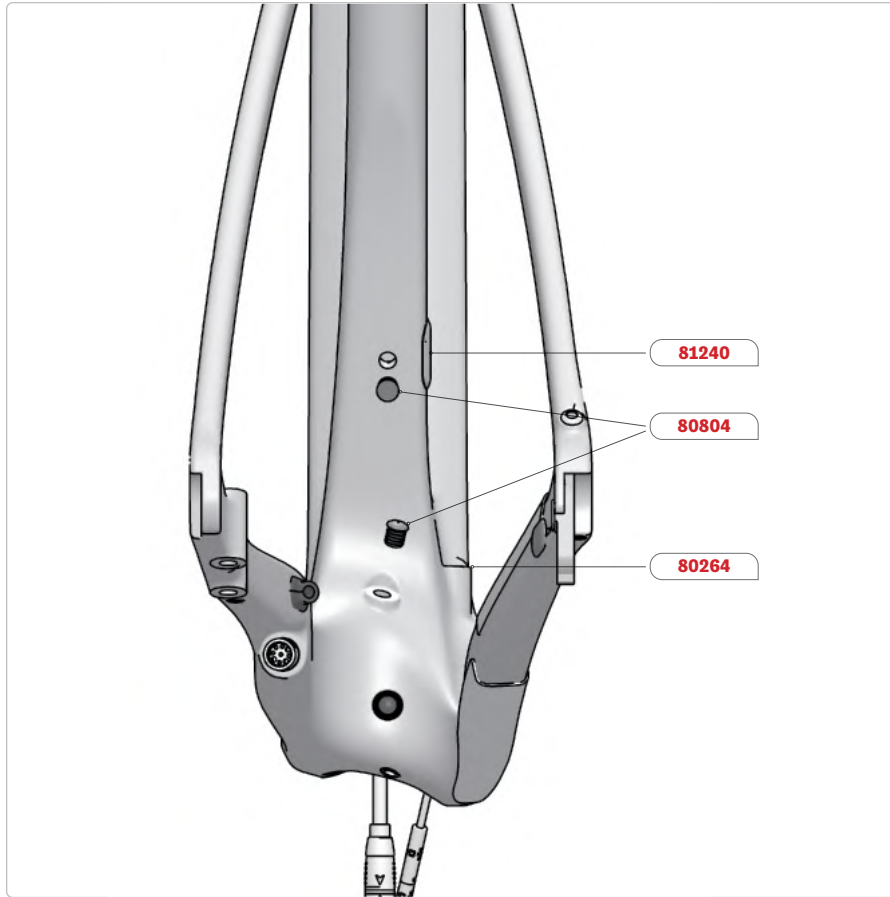
1. Insert housing from rear hole on the seat stay.
2. Guide the housing over the battery through the BB hole.
3. Exit the housing through the side guide hole.
4. Insert the mechanical grommet (SKU: 80985) into the seat stay hole.



Rear Brake:

1. Insert hose from rear hole on the chainstay.
2. Guide the hose over the battery through the BB hole.
3. Exit the hose through the side guide hole.
4. Insert the rear brake oblong cable guide (SKU: 80551) into the chainstay hole.

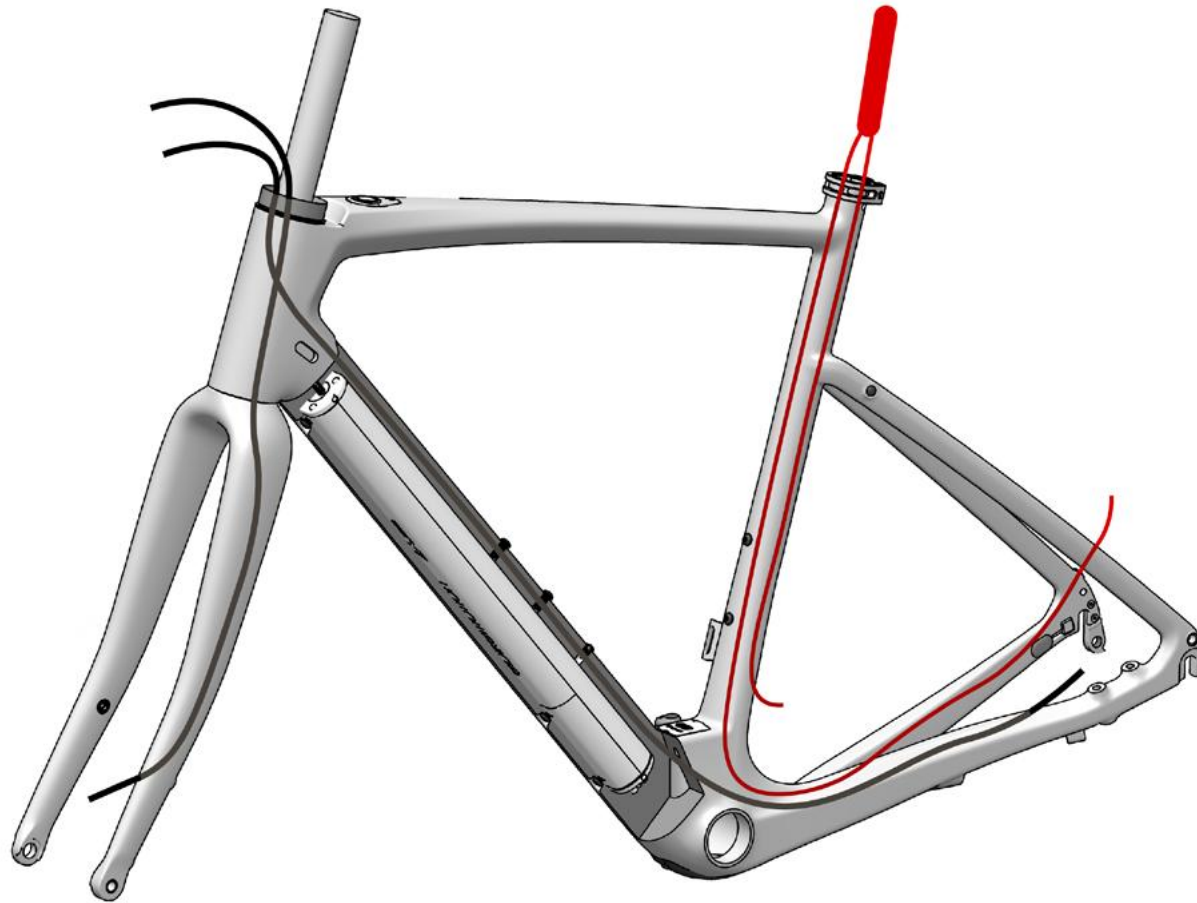
16.3 CABLE AND HOUSING ROUTING - MECHANICAL IX SHIFTING



1. Install the FD plug (SKU: 81240) over the two FD hanger rivets. Refer to page 15.
2. Install the plug grommet (SKU: 80804) in the Di2 seat tube hole and FD housing exit hole.
3. Install a M5 plug (SKU: 80264) over the chain catcher hole.

17.1 CABLE AND HOUSING ROUTING - ELECTRONIC WIRE ROUTING

9200 - 8100 - 7100

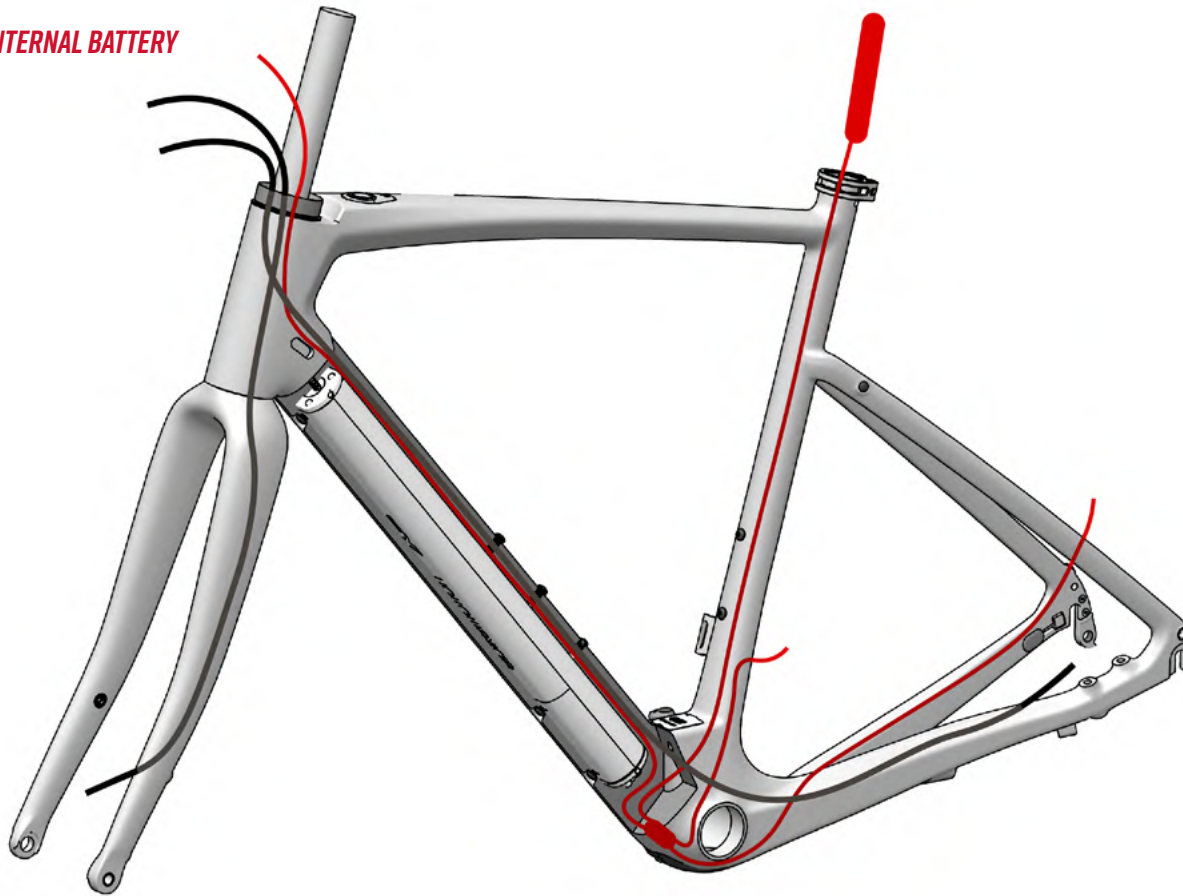


BRAKE HOSE
DERAILLEUR CABLE/HOUSING

1. All cables must be routed above the battery.
2. The rear brake hose will be above the BB once installed.
3. Brake hose can be covered by a foam liner (SKU: 80811).
4. Refer to the Internal Routing Guide on the website (www.argon18.com/en-ca/support/downloads) for the cable configuration around the steerer tube, this depends on the choice of cockpit.

17.2 CABLE AND HOUSING ROUTING - ELECTRONIC WIRE ROUTING

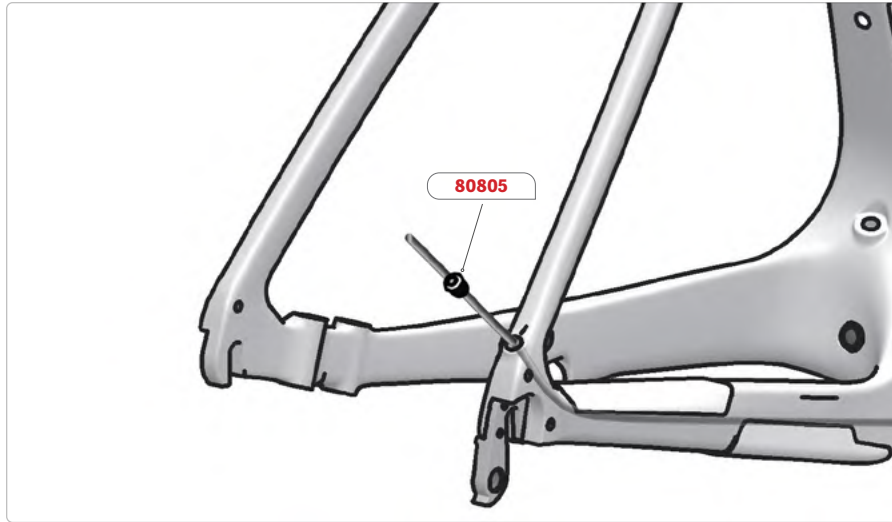
OLDER DI2 WITH INTERNAL BATTERY



**BRAKE HOSE
DERAILLEUR CABLE/HOUSING**

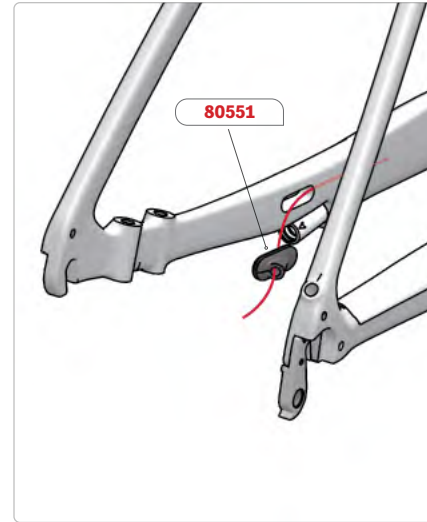
- 1.** All cables must be routed above the battery.
- 2.** The rear brake hose will be above the BB once installed.
- 3.** The rear derailleur cable will be under the BB once installed.
- 4.** Brake housing can be covered by a foam liner (SKU: 80811).
- 5.** Refer to the Internal Routing Guide on the website (www.argon18.com/en-ca/support/downloads) for the cable configuration around the steerer tube, this depends on the choice of cockpit.

17.3 CABLE AND HOUSING ROUTING - ELECTRONIC WIRE ROUTING



Rear Derailleur:

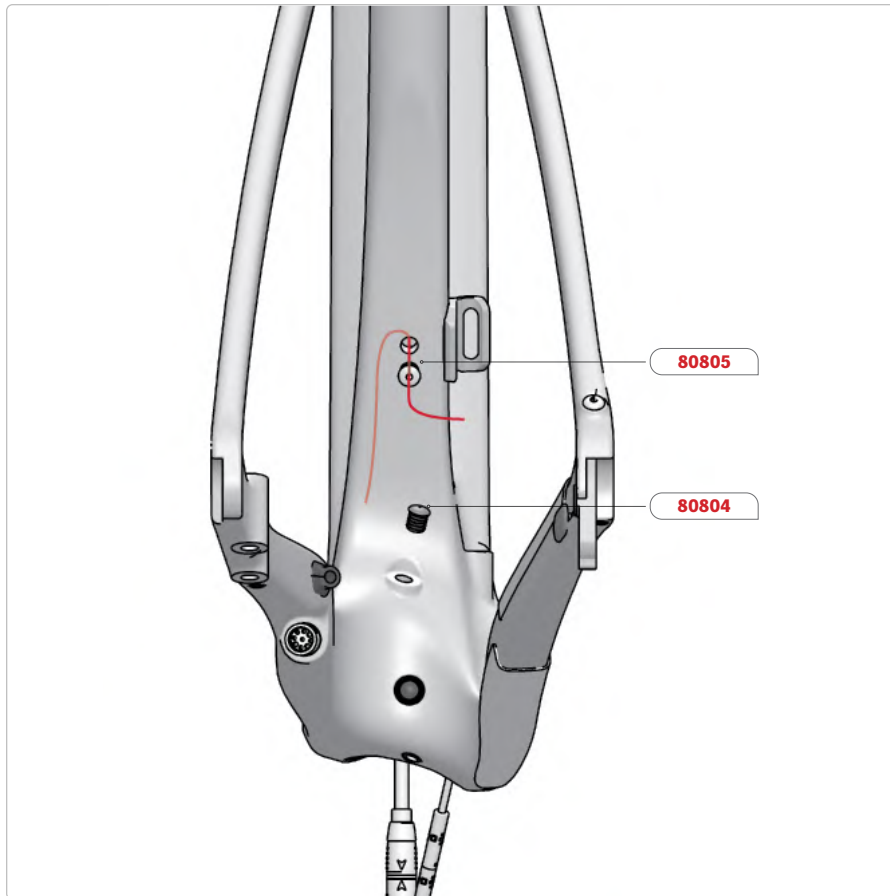
1. Insert the Di2 rear derailleur cable from rear hole on the seat stay until it exits from the BB hole.
2. Insert the Di2 junction A cable from side guide hole until it exits from the BB hole.
3. Insert Di2 battery cable from the seat tube until it exits from the BB hole.
4. Plug the three cables into the junction box.
5. Insert the Di2 grommet (SKU: 80805) into the seat stay hole.



Rear Brake:

1. Insert hose from rear hole on the chainstay.
2. Guide the hose over the battery through the BB hole.
3. Exit the hose through the side guide hole.
4. Insert the rear brake oblong cable guide (SKU: 80551) into the chainstay hole.

174 CABLE AND HOUSING ROUTING - ELECTRONIC WIRE ROUTING



- 1.** Insert Di2 front derailleur cable from hole behind seat tube until it exits from the BB hole.
- 2.** Plug the cable into the junction box.
- 3.** Install the plug grommet (SKU: 80804) in the FD housing exit hole and the Di2 grommet (SKU: 80805) into the Di2 seat tube hole.



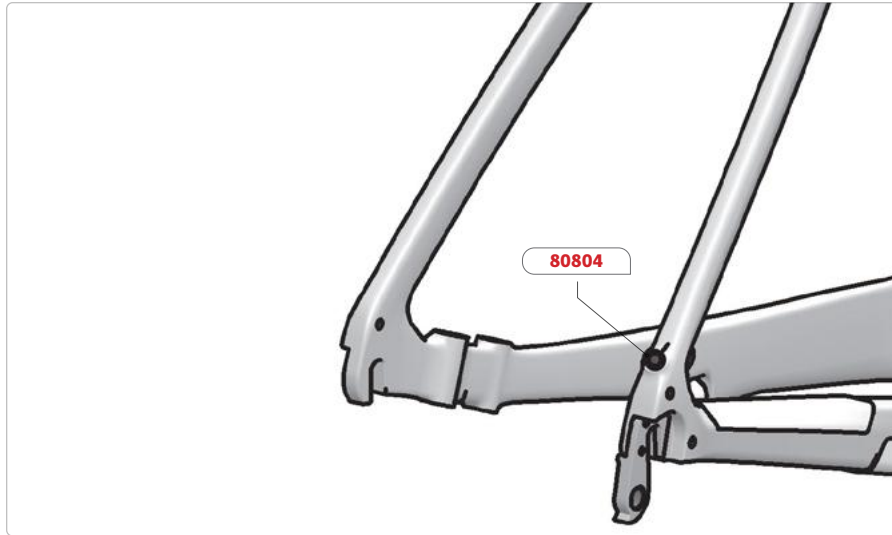
- 1.** Place the battery between the battery holders (SKU: 38446). Align the rib on the battery holders with the notch on the battery.
- 2.** Align the rear light cable in the gap between both battery holders.
- 3.** Slide the assembly into the seatpost until the tab rests at the edge of the seatpost.

18.1 CABLE AND HOUSING ROUTING - ELECTRONIC WIRELESS ROUTING



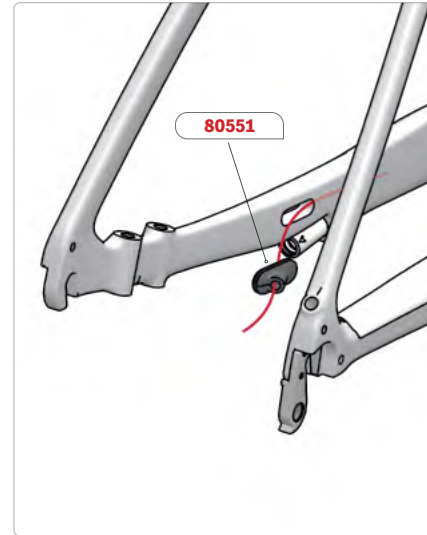
- 1.** The rear brake hose must be routed above the battery and it will be above the BB once installed.
- 2.** The brake hose can be covered by a foam liner (SKU: 80811).
- 3.** Refer to the Internal Routing Guide on the website (www.argon18.com/en-ca/support/downloads) for the cable configuration around the steerer tube, this depends on the choice of cockpit.

18.2 CABLE AND HOUSING ROUTING - ELECTRONIC WIRELESS ROUTING



Rear Derailleur:

1. Install the plug grommet (SKU: 80804) into the seat stay hole.



Rear Brake:

1. Insert hose from rear hole on the chainstay.
2. Guide the hose over the battery through the BB hole.
3. Exit the hose through the side guide hole.
4. Insert the rear brake oblong cable guide (SKU: 80551) into the chainstay hole.

18.3 CABLE AND HOUSING ROUTING - ELECTRONIC WIRELESS ROUTING



1. Install the plug grommet (SKU: 80804) into the Di2 seat tube hole and FD housing exit hole.

19. CABLE AND HOUSING ROUTING - DROPPER SEATPOST



With a AXS groupset or mechanical 1X groupset with the front light wire exiting from the downtube hole:

1. All cables must be routed above the battery.
2. The dropper post housing will be above the BB once installed.
3. The dropper post can be covered by a foam liner (SKU: 80811).
4. Insert the housing into the headtube, over the battery and through the seat tube.
5. Follow dropper seatpost manufacturer installation procedure.



IMPORTANT:

Only four cables can pass through the headset per headset manufacturer recommendation.

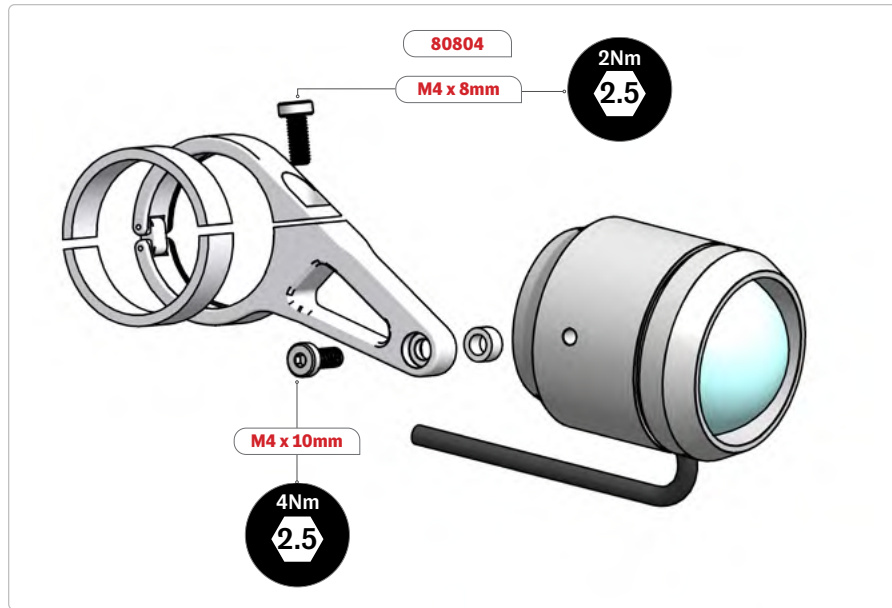
THE SUBITO IS COMPATIBLE WITH A DROPPER POST IN MECHANICAL OR AXS BUILD. HOWEVER, THE REAR LIGHT WILL NEED TO BE REMOVED OR ROUTED EXTERNALLY FROM THE FRONT DERAILLEUR CABLE HOLE ON THE SEATTUBE.

With a mechanical 2X groupset:

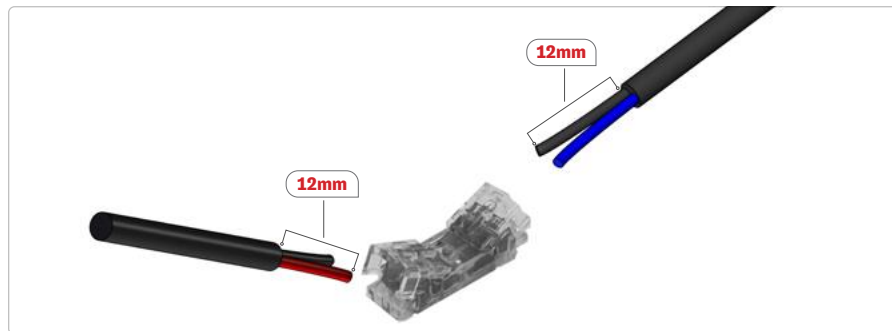
1. All cables must be routed above the battery.
2. The dropper post housing will be above the BB once installed.
3. The dropper post housing can be covered by a foam liner (SKU: 80811).
4. Insert the housing into the hole on the side of the downtube, over the battery and through the seat tube.
5. Follow dropper seatpost manufacturer installation procedure.



20. FRONT LIGHT INSTALLATION



1. Install the front light on the handle bar as shown in the image at left.
2. Tighten the handlebar M4 screw to 2Nm, and the light screw to 4Nm.
3. If a routing through the headtube is desired, see possible configuration below. Guide the light cables through the headset until it exits from the hole on the downtube. Otherwise, skip this step.
4. Adjust the length of both cables with a flush cut plier.
5. Remove 12 mm of the outer casing on both cables.
6. Insert both cables from the light into the connector (SKU: 100166) in the upper moving part. Press the connector with pliers until it clicks.
7. Insert both cables from the battery into the connector (SKU: 100166) in the upper moving part. Make sure the black cable is aligned with the black cable from the light, and the blue cable with the red cable. Press the connector with pliers until it clicks.
8. Push the connector inside the frame.

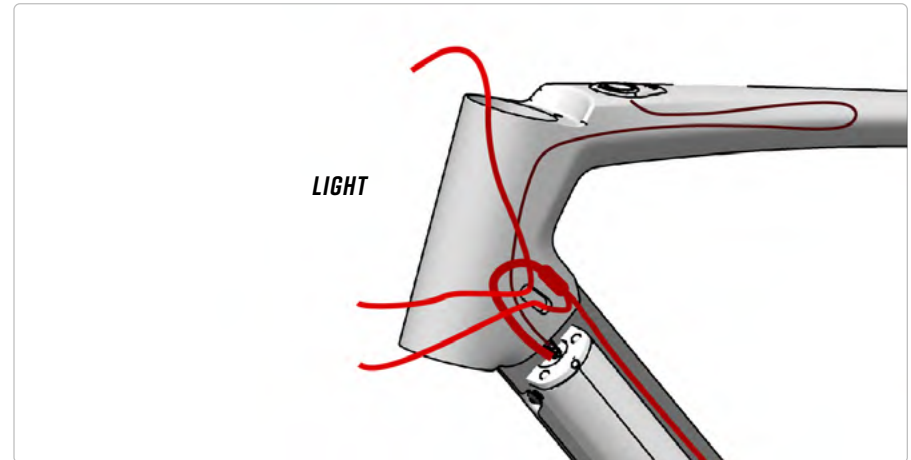


Through Head Tube:

- Mechanical 1x without dropper post
- Mechanical 1x without dropper post at down tube hole
- AXS
- Di2

Through downtube hole:

- Mechanical 2x
- Mechanical 1x with dropper post



IMPORTANT:

Only four cables can pass through the headset per headset manufacturer recommendation.

21. CABLE AND HOUSING ROUTING - FRONT GROMMET SELECTION

Parts needed for installation:

- Oblong plug (SKU: 80549)
- Cable guide oblong (SKU: 80550)
- Rear brake oblong cable guide (SKU: 80551)

1. Choose the right grommet for the desired configuration.
2. Install the grommet on the frame.



IMPORTANT:

Only four cables can pass through the headset per headset manufacturer recommendation.

No cable

80549



Light cable

80550

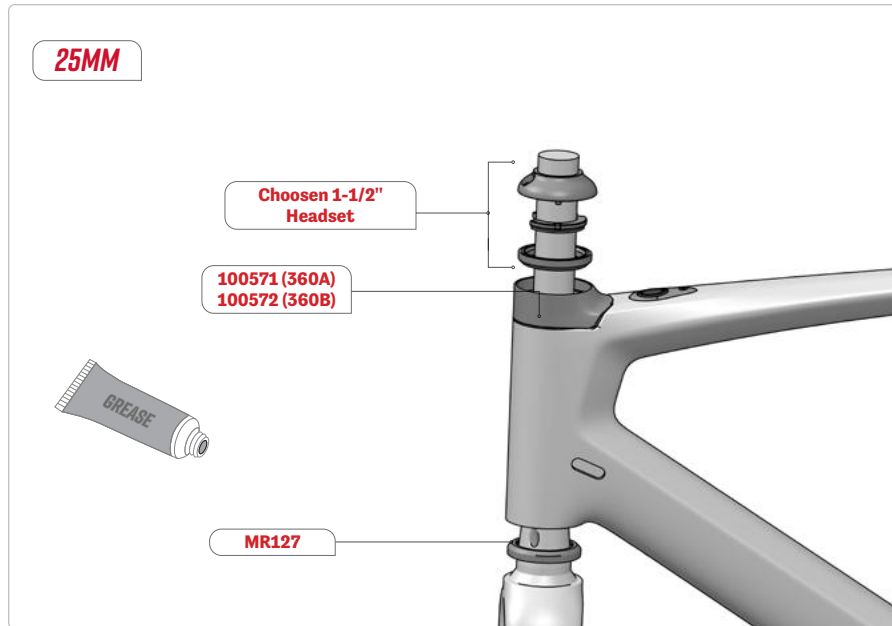


Dropper post
and light

80551

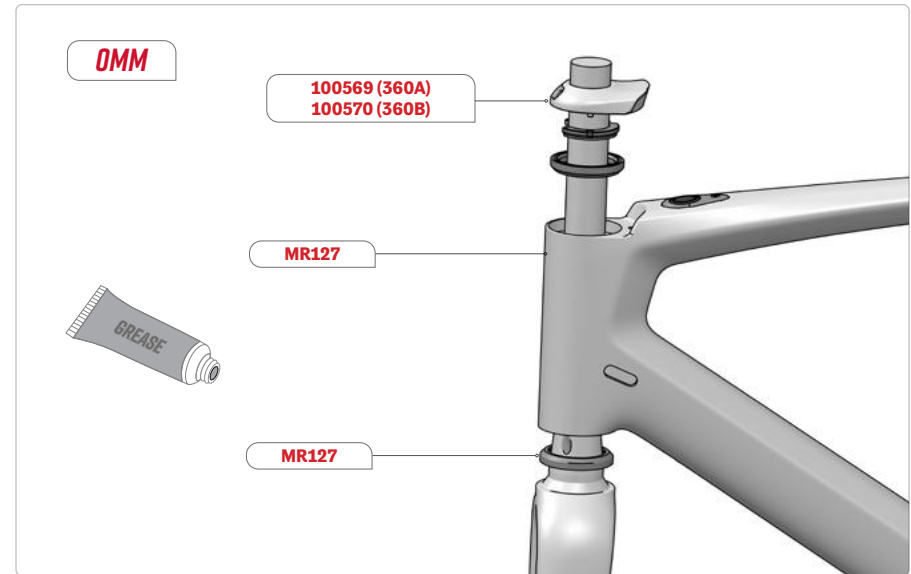


22. HEADSET INSTALLATION



25mm assembly process:

1. Install the 3D headset cap (SKU: 100571 or 100572) over the 3D column. Align the pin in the frame hole and lower the cap.
2. Install the bottom (MR127) bearing on the fork. (Apply grease on both sides of the bearing)
3. Insert top bearing (supplied with the headset) into the headset column. (Apply grease on both sides of the bearing)
4. Slide the fork into the head tube while orienting all housing on the good side of the steerer tube (please see: [Internal routing compatibility](http://www.argon18.com/en-ca/support/downloads) on our website (www.argon18.com/en-ca/support/downloads)).
5. Install conical compressor ring with all cables in the right place.
7. Install headset top cover with all cables in the right place.
8. For more information on compatible systems and assembly suggestions, please see: [Internal routing compatibility](http://www.argon18.com/en-ca/support/downloads) on our website (www.argon18.com/en-ca/support/downloads).



0mm assembly process:

Please note that this cap is designed to replace a SRS headset top cap.

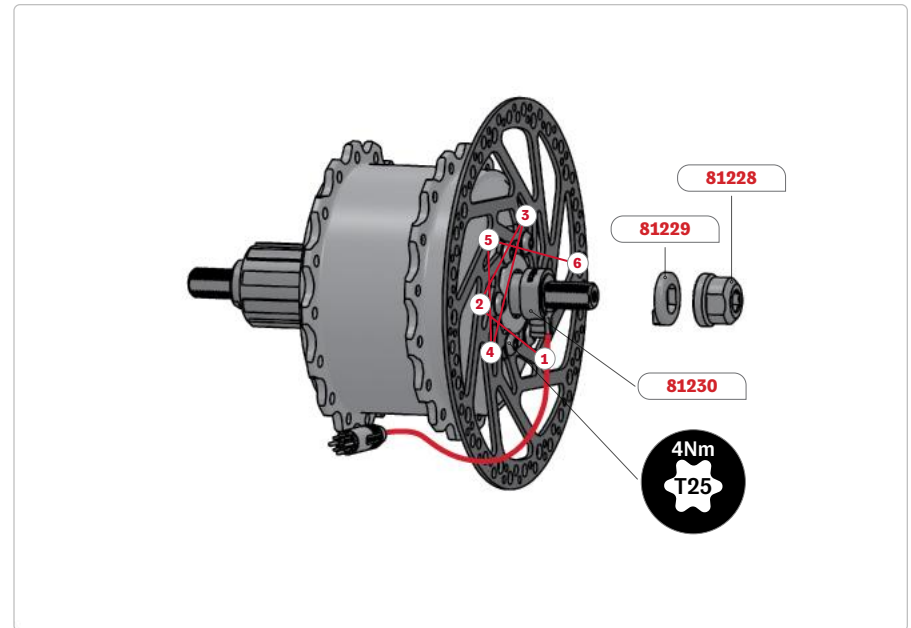
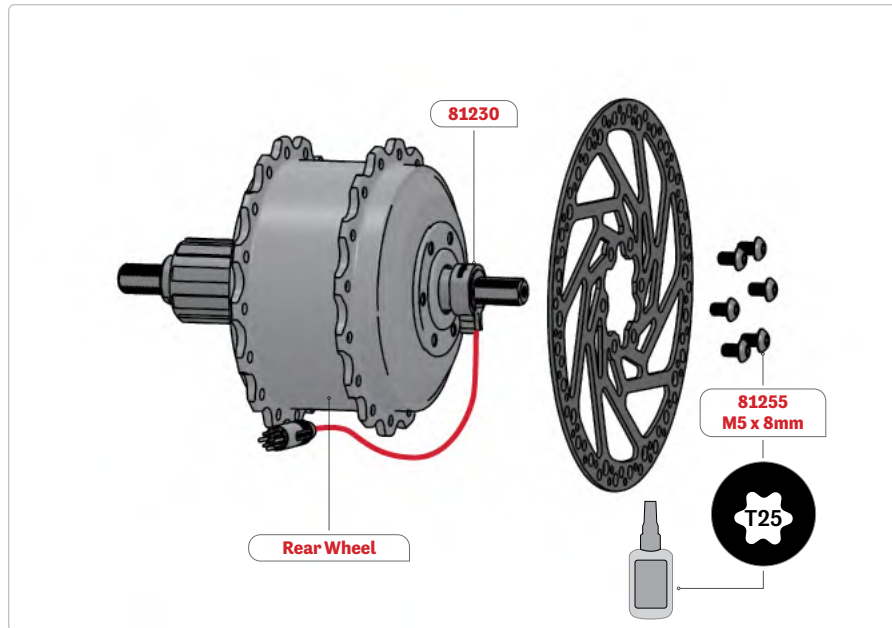
1. Install the bottom (MR127) bearing on the fork. (Apply grease on both sides of the bearing)
2. Insert top bearing (MR127) in the headset column. (Apply grease on both sides of the bearing)
3. Slide the fork into the head tube while orienting all housing on the good side of the steerer tube. (please see: [Internal routing compatibility](http://www.argon18.com/en-ca/support/downloads) on our website (www.argon18.com/en-ca/support/downloads)). For SRS system, we suggest that all cables pass on the same side of the steerer as the lever they are going to.
4. Install conical FSA compressor ring with all cables in the right place.
5. Install headset top cover (SKU: 100569 or 100570) with all cables in the right place.



IMPORTANT:

Only four cables can pass through the headset per headset manufacturer recommendation.

23.1 REAR WHEEL INSTALLATION (DISC INSTALLATION)



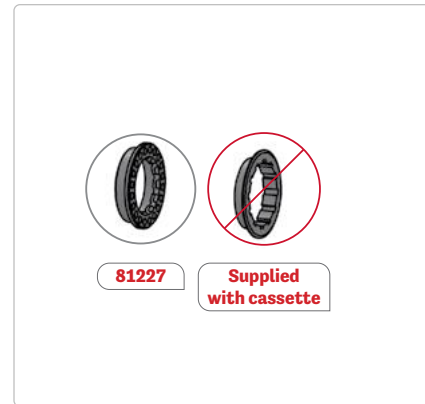
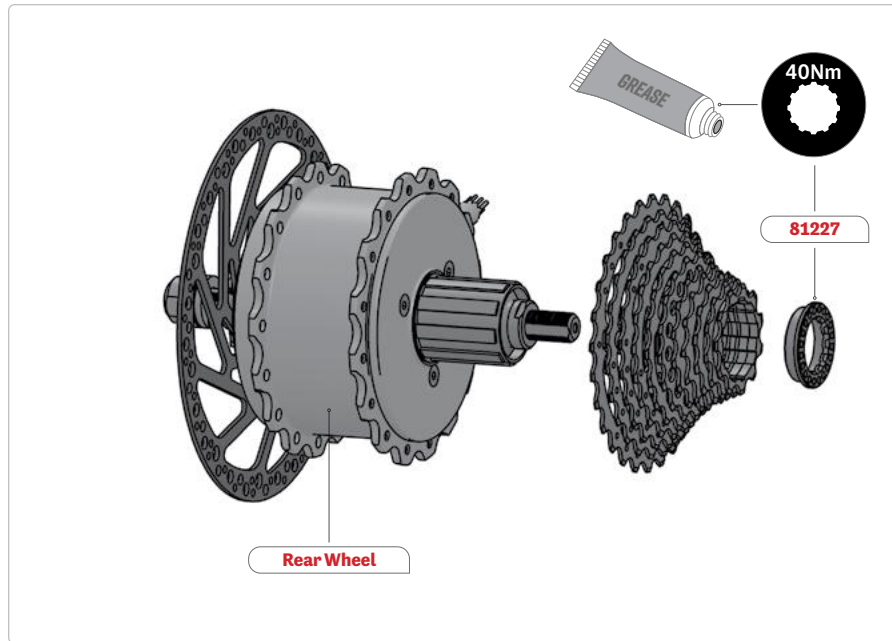
1. Use the M5 x 8mm torx screw (SKU: 81255) supplied with the frameset. A longer screw will damage the motor.
2. Apply thread locker before installing the bolt.
3. Once the bolts are hand tightened, turn the rotor clockwise to assure good contact between the rotor and the bolt.
4. Tighten to 4Nm in a star pattern.
5. Install the cable shield (SKU: 81230).
6. Install the torque washer nut (SKU: 81229), aligning the shoulder with the cable.
7. Install the motor lock nut (SKU: 81228).



IMPORTANT

Use only M5 x 8mm screws. Using longer screws will lock the motor and void the warranty.

23.2 REAR WHEEL INSTALLATION (CASSETTE INSTALLATION)

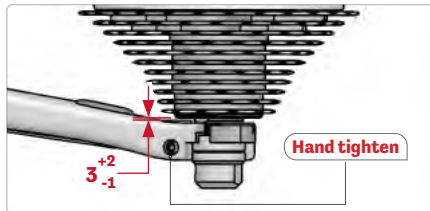
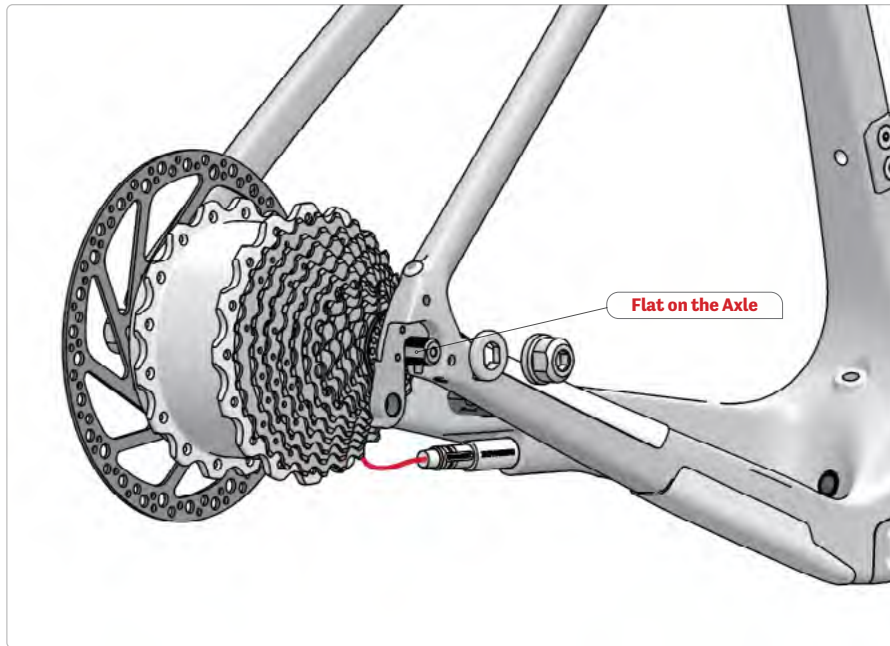


IMPORTANT

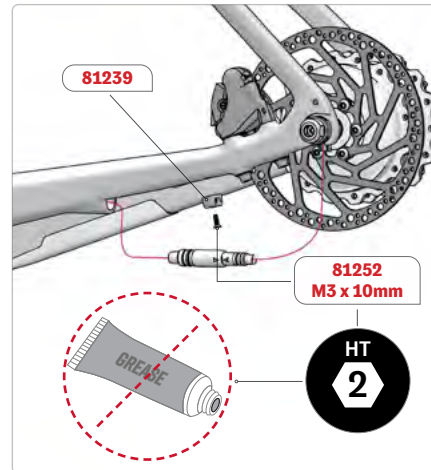
Use the supplied cassette Magnet lock nut (SKU: 81227). Without it (SKU: 81227), the ebikemotion system will not recognize the pedaling movement and will not provide any assistance.

1. You will need to replace the the lockring supplied with the cassette and use the magnet locknut (SKU: 81227).
2. Place the cassette on the cassette body, aligning the spline.
3. Grease the threads of the magnet locknut.
4. Screw the magnet locknut in place.
5. Torque to 40Nm.

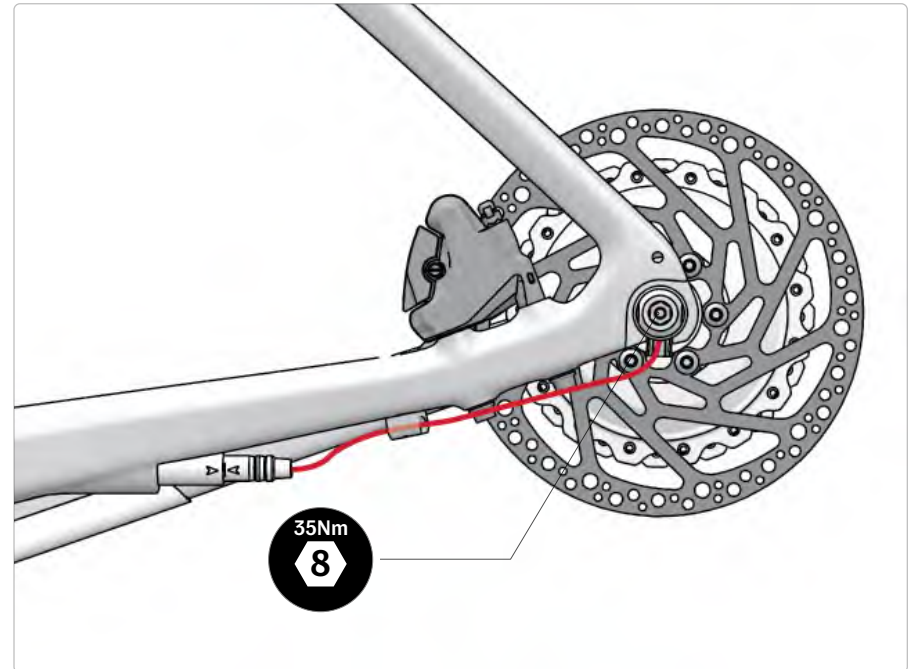
23.3 REAR WHEEL INSTALLATION



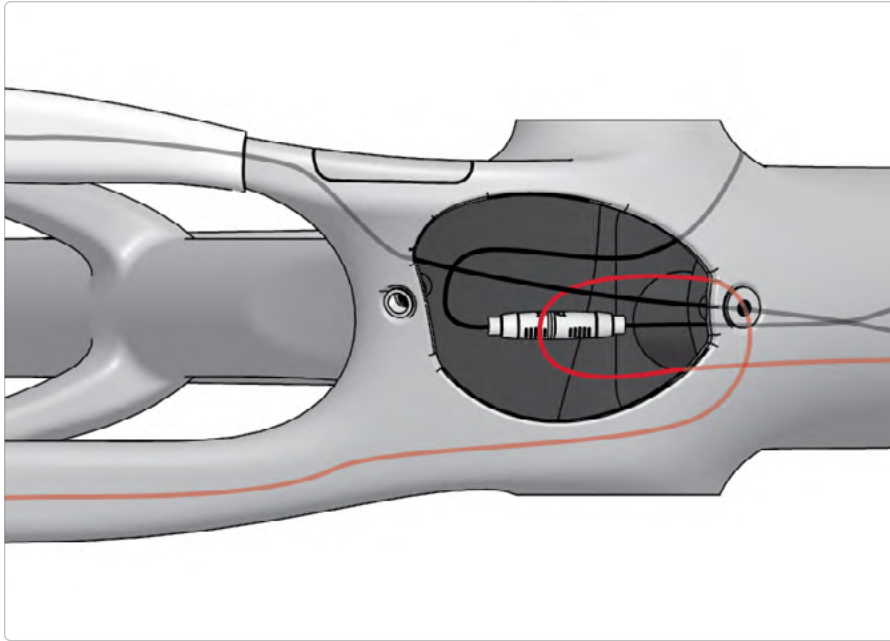
Adjust PAS sensor distance: Distance from PAS sensor to magnet must be between 2 and 5mm. Hand tighten the screw.



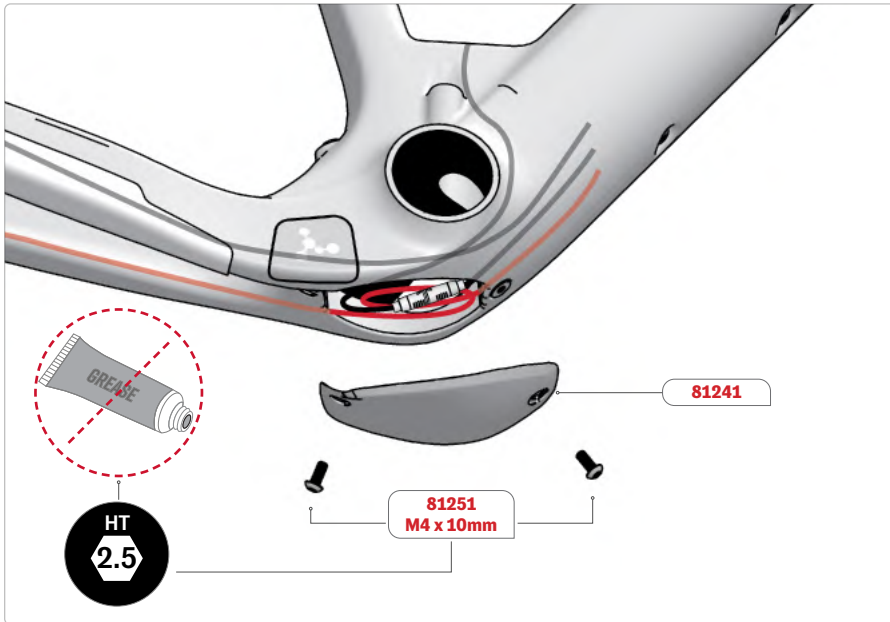
1. Align the face on the axle with the drop-out, the cable must exit downward.
2. Tighten NDS motor lock nut with an 8mm Allen key, torque to 35Nm.
3. Install the drive side torque washer nut (SKU: 81229), aligning the shoulder with the NDS washer.
4. Install the drive side motor lock nut (SKU: 81228) and tighten with an 8mm Allen key, torque to 35Nm.
5. Install the chainstay wire clip (SKU: 81239), using the M3 x 10mm flat head cap screw (SKU: 81252), hand tighten and do not apply grease.
6. Connect the motor cable to the battery, align both arrows on the connector.
7. Push the connector into the chainstay. You can pull from the BB hole to help.
8. Clip the cable in the cable clip contouring the brake bolts.



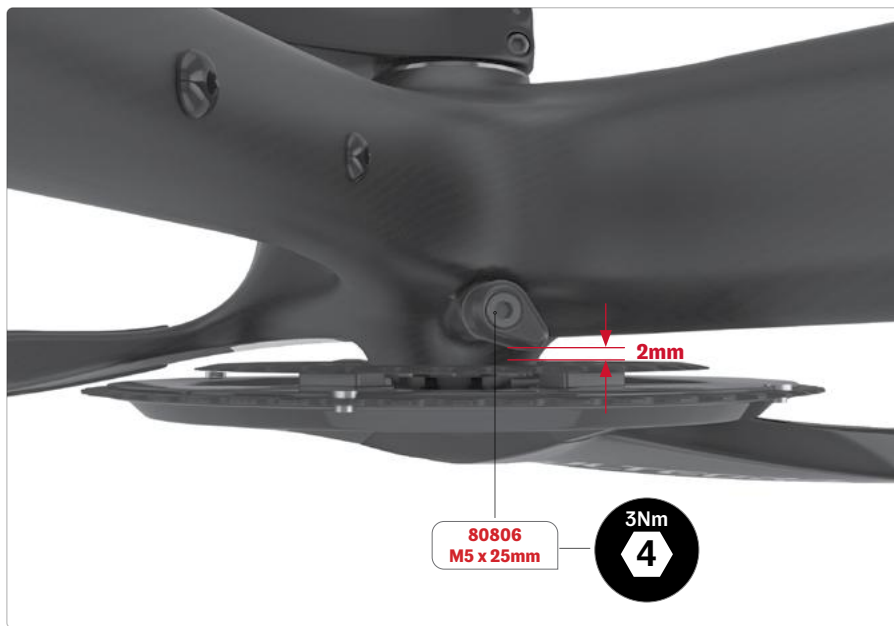
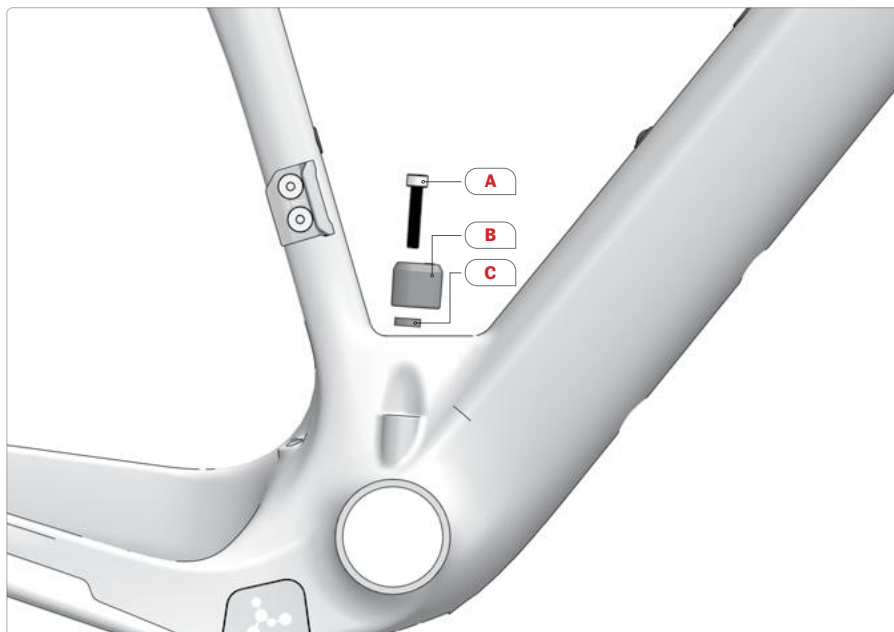
24. BB COVER INSTALLATION



1. Install the bottom bracket using a bottom bracket press.
2. Push the cable into the opening. Make sure the motor cable has enough range of movement to be able to remove the wheel without removing the BB cap.
3. Install the BB cap (SKU: 81241). Hand-tighten the M4 x 10mm button head cap screw (SKU: 81251). Do not apply grease.



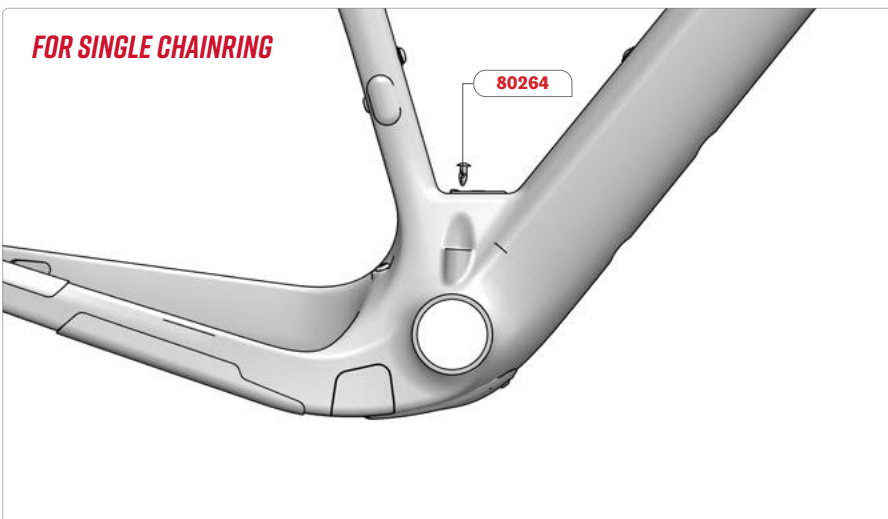
25. CHAIN CATCHER



1. Select the appropriate chain catcher (SKU: 80806). The selection of the correct chain catcher is made according to the size of the small chainring.

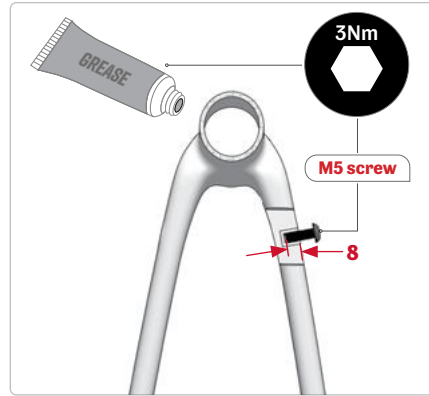
SMALL CHAIN RING SIZE	CHAIN CATCHER
30-32	Small
34 and more	Large

2. Insert the M5 x 25mm screw (a) in the chain catcher (b) and place the lock washer (c) between the frame and the piece. Secure the assembly pointing forward, loose enough to be able to adjust the parts.
3. Install the crank according to manufacturer's specifications.
4. Place the tip of the chain catcher at approximately 2mm to the inner side of the small chain ring and torque to 3Nm.



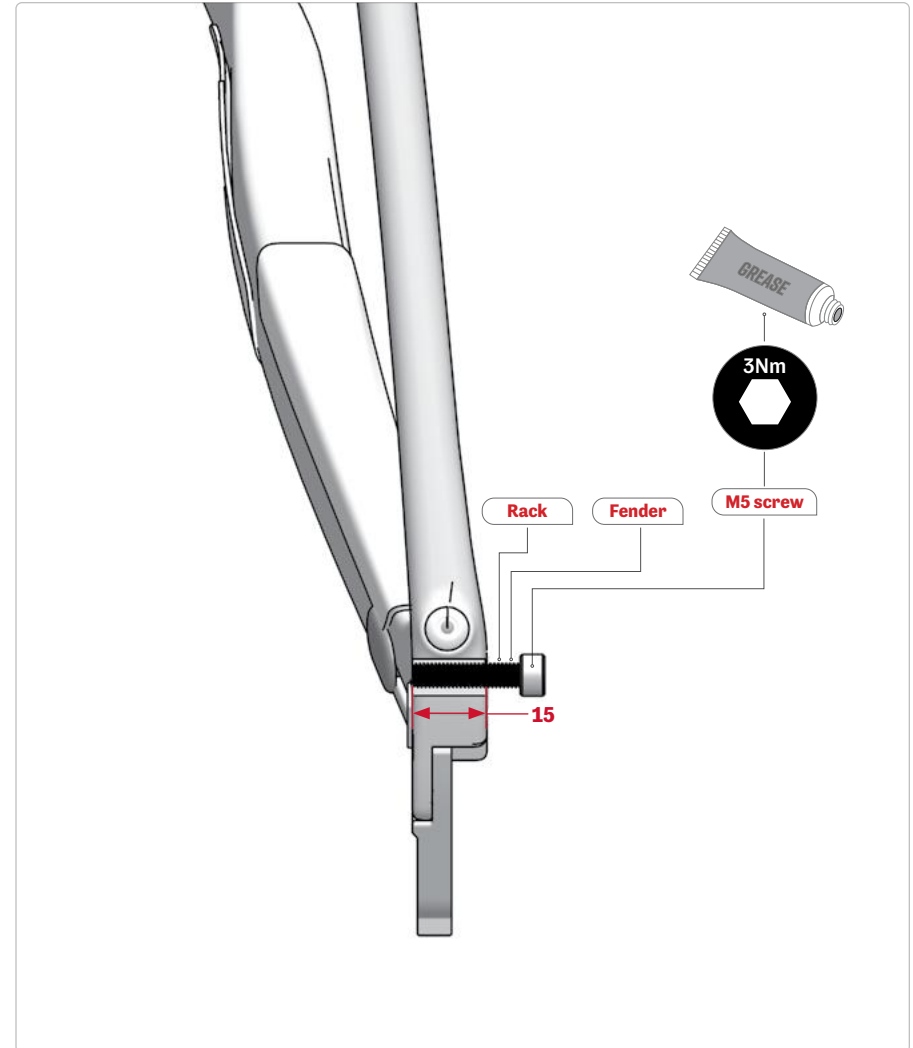
1. Install a M5 plug (SKU: 80264) over the chain catcher hole.

26. REAR RACK AND FENDER INSTALLATION

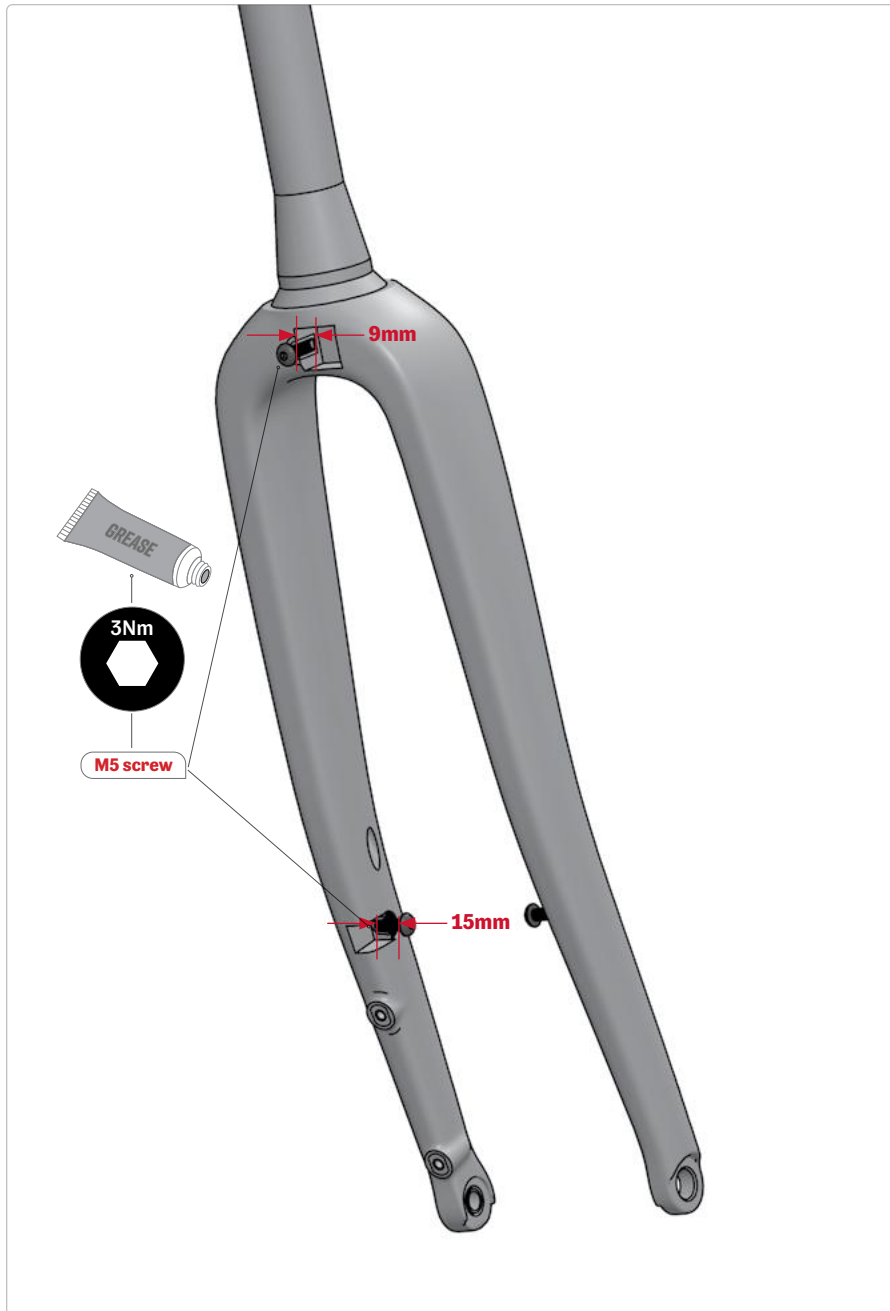


1. According to the model of fender used, place the fender bracket (SKU: 80808) at the correct height on the seat stay.
2. Secure the fender bracket with the two supplied rubber bands making sure that the 2 plastic parts overlap.
3. When securing the fender and/or the rear rack on the drop-out, make sure that the screw doesn't interfere with the chain. The maximum insertion of the screw is 15mm to avoid protrusion and possible chain interference. Make sure there's at least 10mm of screw insertion to support the load.
4. On the seat stay, the thread length is 8mm, make sure to have 8mm or less of thread insertion.

* If a fender is used with a rear rack: if possible, screw the fender onto the rear rack. If not, place the rear rack between the frame and the fender on the screw. All screws must be torqued to a maximum of 3Nm. Apply grease on the threads.

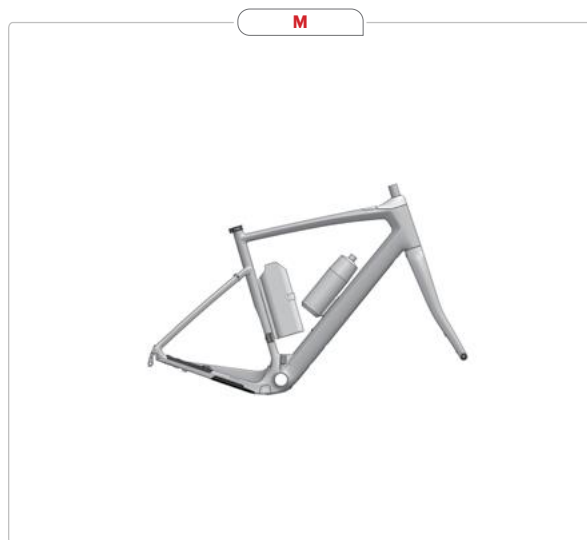
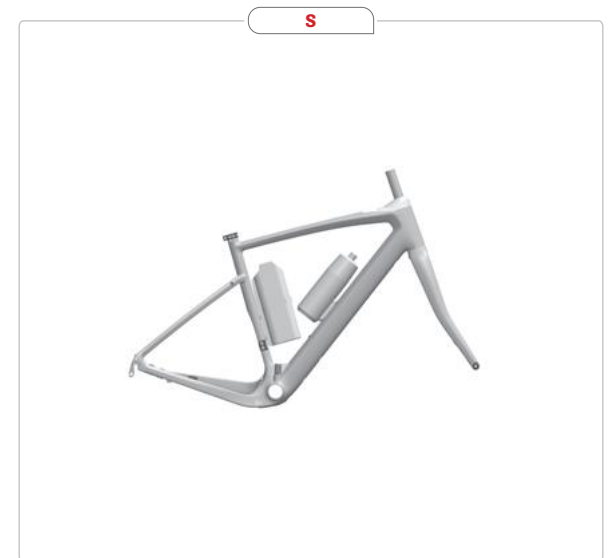
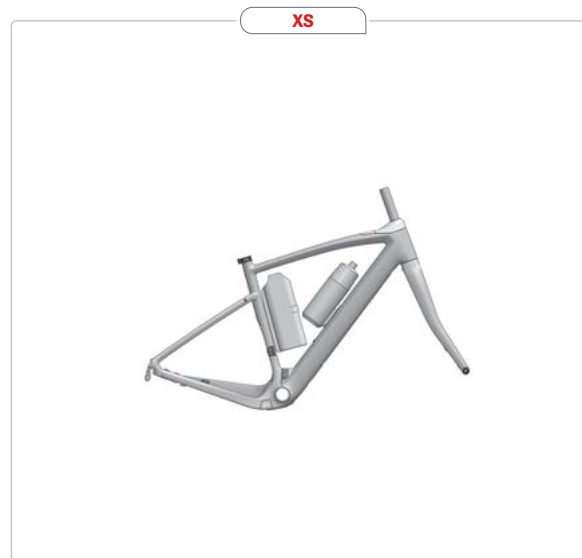


27. FRONT FENDER INSTALLATION



- On the upper screw, the thread length is 9mm. Make sure to have 9mm or less of thread insertion.
- On the lower screw, the thread insertion is 15mm. The thread starts 5mm above the surface of the fork. There must be between 10 and 15mm of visible thread once the fender is on the screw.
- All screws must be torqued to a maximum of 3Nm. Apply grease on the threads.

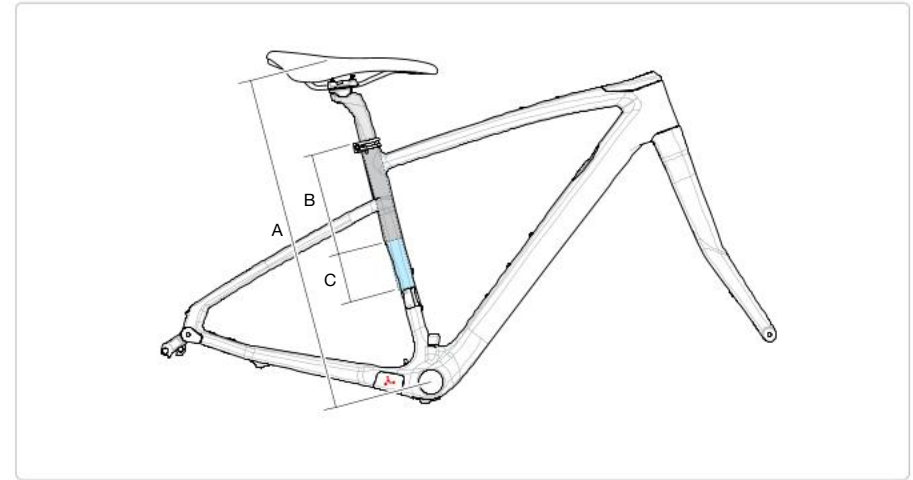
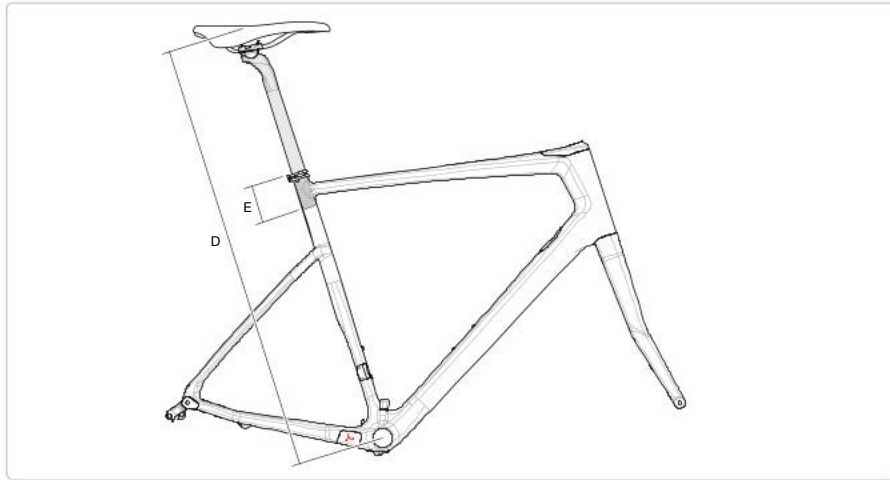
28. RANGE EXTENDER AND WATER BOTTLE POSITION



Here are some possible options of how to fit the battery range extender and waterbottle(s) onto the frame's water-bottle-cage mounts, depending on the frame size.

On frame size XXS, unfortunately the range extender cannot be installed with a bottle cage at the same time.

29. SEAT POST MIN AND MAX INSERTION



Refer to the table adjacent for details on saddle height and seatpost insertion limits:

- i. The correct frame size must be determined according to the saddle height limits.
 - A. Minimum Saddle Height.
 - D. Maximum Saddle Height.
- ii. Depending on the size of the frame and the desired saddle height, the seatpost might need to be cut.
 - B. Maximal insertion depth in the frame's seat tube.
 - C. Required seatpost cut length to be able to adjust the saddle height at the minimum position.
 - » Adjust the seatpost cut length in accordance with your desired saddle height.
 - » **Required Minimum Seatpost Cut Length = C - ("Desired Saddle Height" - A)**
 - » **Example:** For a desired saddle height of 600mm on a XX-Small Subito frame.
 - » The required minimum seatpost cut length is: 135 - (600-520) = 55mm.
 - E. Minimal insertion depth in the frame's seat tube.

SADDLE HEIGHT LIMIT

SUBITO

SIZE	SADDLE H MIN.	ST MAX INSERT	SP CUT	SADDLE H MAX.	SP MIN INSERT
UNIT	mm	mm	mm	mm	mm
	A	B	C	D	E
XXS	520	165	135	740	80
XS	550	185	115	770	80
S	585	215	85	805	80
M	620	250	50	840	80
L	655	245	55	875	80
XL	690	285	15	910	80

30. ADDITIONNAL DOCUMENTATION

Distributor

- Subito Distributor Procedure
- Ebike_Activation_Guide_v1.1_28022019

Dealer

- Dealer APP Manual (EN V1.0)

End user

- Subito Quick Start Guide
- Subito Range Extender

Available at: <https://mahle-smartbike.com/downloads/>

- MAHLE - iWoc ONE - Quick User Guide (EN-ES-DE-FR-IT-PT-NL)
- MAHLE - X35-Care+Maintenance (EN-ES-DE-FR-IT-PT-NL)
- MAHLE - X35-Connection+Mount (EN-ES-DE-FR-IT-PT-NL)
- MAHLE - X35-Charger
- MAHLE - X35-Connection+Mount (EN-ES-DE-FR-IT-PT-NL)
- MAHLE - X20-X35-MAHLE-PulsarONE
- User Manual – APP (EN.V1.0)
- Web User DashBoard Manual (EN V1.0)