

BMC



KAIUS

UNBOUND SPEED

BMC

Unbound Speed

The gravel universe is endless with diverse terrains and everchanging ecosystems.

Gravel riding doesn't finish at bike packing or exploration. It expands to pure **performance** and **unhindered racing**.

That's where Kaius comes in.

A gravel-racing machine that accesses **unbound speed**.



The Perfect Gravel Machine

Developed using the revolutionary road technologies BMC uses on its racing machines, Kaius is tuned to the gravel wavelength.

A **lightweight, stiff, compliant and aerodynamic** gravel-racing bike with optimal traction on loose surfaces.

Teaming unmatched climbing capabilities with sprint-winning power transfer and the requisite strength for peace of mind against stone strikes, Kaius opens the full spectrum of what is possible on every surface the rider encounters.



BMC



Carbon Layout

- The carbon fibers are selected to play **distinct roles** in different areas of the frame.
- The **high-module** fibers provide stiffness, keep the weight low and balance out the added weight required to make Kaius compliant and robust.
- The **areas exposed to rocks and shocks** are protected to give riders peace of mind when pushing over bone-rattling surfaces.
- The result is a **gravel-tuned racing bike** whose compliance sits in the middle range of BMC's Tuned Compliance Concept Race Technology.

Gravel Geometry

BMC built **Kaius** from the bottom up with one purpose: to **crush the competition in gravel races**.

The **gravel-specific frame** features a longer frame reach, with the front wheel moved forward to improve stability and increase traction on loose surfaces.

The shorter stem provides intuitive and responsive handling at all times.



BMC

Kaius 01 Geometry

	Kaius 01 - ICS Carbon Cockpit						Kaius 01 - ICS2 Stem with RCB01 / RAB02 Bar					
Size	47	51	54	56	58	61	47	51	54	56	58	61
Rider Height cm	<166	166-174	172-180	178-186	184-192	>190	<166	166-174	172-180	178-186	184-192	>190
Stack mm	510	530	550	570	595	620	510	530	550	570	595	620
Reach mm	390	397	401	405	410	414	390	397	401	405	410	414
Seat Tube mm	428	452	468	493	513	533	428	452	468	493	513	533
Top Tube mm	546	559	569	579	592	604	546	559	569	579	592	604
Head tube mm	85	106	123	144	170	196	85	106	123	144	170	196
Seat angle°	73						73					
Head Tube Angle°	71	71	72	72	72	72	71	71	72	72	72	72
Rear Center mm	420	420	420	420	420	420	420	420	420	420	420	420
Front center mm	596	610	608	619	632	644	596	610	608	619	632	644
Wheelbase mm	1003	1017	1015	1026	1039	1051	1003	1017	1015	1026	1039	1051
BB drop mm	80						80					
Fork length mm	387	387	387	387	387	387	387	387	387	387	387	387
Fork rake mm	50	50	45	45	45	45	50	50	45	45	45	45
Trail mm	66	66	68	68	68	68	66	66	68	68	68	68
Standover Height mm	684	722	756	780	798	818	684	722	756	780	798	818
Crank Length mm	170	170	172.5	172.5	175	175	170	170	172.5	172.5	175	175
Stem Length mm	80	90	90	90	100	110	90	100	100	110	110	120
Stem Angle°	-15						-15					
Bar Width mm	420						400	420	420	420	420	440
Bar Drop mm	135						117					
Bar Reach mm	72.5						77					

Lightweight

Kaius is not only stiff and comfortable, but also **lightweight**.

- Frame weight: **910 grams**
- Fork; **400 grams**
- Seat post: **160 grams**
- Cockpit at **315 grams**
- Complete module: **1.785 kg**



BMC

Integrated Cockpit System (ICS)

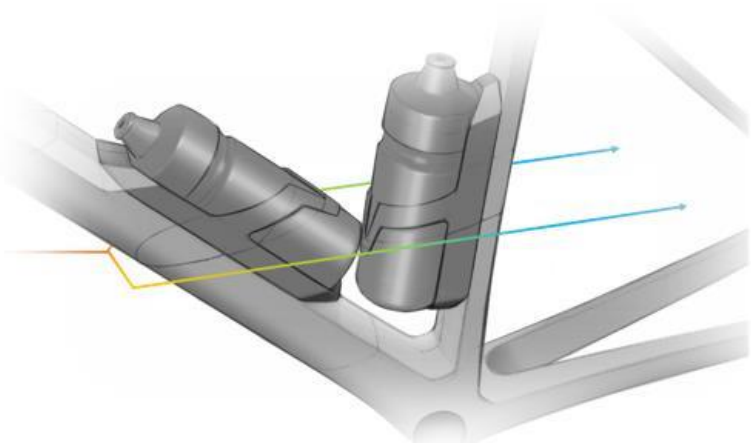


- Adding proven performance and welcome usability, Kaius uses BMC's lightweight **ICS** cockpit systems.
- Kaius 01 ONE is fitted with BMC's all-new **ICS Carbon Aero cockpit**, a system that includes an innovative design where the frontal section is reduced to match the performance of BMC's race frames.
- The cockpit features a **360 mm top width** at the hoods, a **420 mm width at the drops**, and a **12,5° flare** to provide complete control at high speeds.
- The cockpit's **low weight** (just **315 grams**) gives Kaius 01 ONE the final high-performance touch.
- Integrated stealth cable routing and mounts mesh with wide adjustability and WorldTour performance in an advanced one-piece cockpit system.

Functional Integration

The ICS systems, combined with BMC's **Aerocore design**, provides Kaius with the highest level of functional integration.

This evolved solution integrates the bottle cages into the frame to optimize aerodynamic performance.





Versatility

Kaius arrives with all you'd expect from a high-end gravel race bike.

- It can fit **1x and 2x drivetrains**
- Tires up to **44 m**
- A **dropper post**
- BMC's new **MTT Suspensions Stem**
- Tube **bolt-on bags**



KAIUS 01 ONE



Frame	Kaius 01 Premium Carbon with Aerocore Design <ul style="list-style-type: none">· ICS Technology, Stealth Cable Routing· Integrated Aerocore Bottle Cages· Stealth Dropout Design· TCC Race Compliance Level· PF86 Bottom Bracket· Flat Mount Disc· 12x142mm Thru-Axle
Fork	Kaius 01 Premium Carbon <ul style="list-style-type: none">· ICS Technology, Stealth Cable Routing· TCC Race Compliance Level· Stealth Dropout Design· Flat Mount Disc· 12x100mm Thru-Axle
Seatpost	Kaius 01 Premium Carbon D-Shaped Seatpost <ul style="list-style-type: none">· 15mm Offset
Handlebar	ICS Carbon Aero, One-Piece Full Carbon Cockpit
Stem	ICS Carbon Aero, One-Piece Full Carbon Cockpit
Saddle	Fizik Vento Argo 00
Gears	1x12
Crankset	SRAM Red AXS XPLR
Cassette	SRAM Force AXS XPLR XG-1271 10-44T
Chain	SRAM Red 12 Speed
Front Derailleur	-
Rear Derailleur	SRAM Red AXS XPLR
Shifters	SRAM Red eTap AXS HRD
Brakes	SRAM Red eTap AXS HRD, Centerline X Rotors (160/160)
Rims,	Zipp 303 Firecrest
Hubs (F/R)	Zipp 303 Firecrest
Tires	Pirelli Cinturato Gravel H, 40mm
Sizes	47,51, 54, 56, 58, 61
Colour	mst red blk
Retail price	EUR 11499, USD 11999, CHF 11999

KAIUS 01 TWO



BMC

Frame	Kaius 01 Premium Carbon with Aerocore Design <ul style="list-style-type: none">· ICS Technology, Stealth Cable Routing· Integrated Aerocore Bottle Cages· Stealth Dropout Design· TCC Race Compliance Level· PF86 Bottom Bracket· Flat Mount Disc· 12x142mm Thru-Axle
Fork	Kaius 01 Premium Carbon <ul style="list-style-type: none">· ICS Technology, Stealth Cable Routing· TCC Race Compliance Level· Stealth Dropout Design· Flat Mount Disc· 12x100mm Thru-Axle
Seatpost	Kaius 01 Premium Carbon D-Shaped Seatpost <ul style="list-style-type: none">· 15mm Offset
Handlebar	BMC RCB01 Carbon, Ergo Top Shape, Compact Bend
Stem	BMC ICS2 - Integrated Cockpit Design
Saddle	Fizik Vento Argo R3
Gears	2x12
Crankset	SRAM FORCE AXS WIDE 43-30T
Cassette	SRAM FORCE AXS XG-1270 10-36T
Chain	SRAM Red 12 Speed
Front Derailleur	SRAM FORCE eTap AXS WIDE
Rear Derailleur	SRAM FORCE eTap AXS WIDE
Shifters	SRAM FORCE eTap AXS HRD
Brakes	SRAM FORCE eTap AXS HRD, Centerline X Rotors (160/160)
Rims,	Zipp 303 S
Hubs (F/R)	Zipp 303 S
Tires	Pirelli Cinturato Gravel H, 40mm
Sizes	47,51, 54, 56, 58, 61
Colour	tur blk ora
Retail price	EUR 8499, USD 8999, CHF 8999

KAIUS 01 THREE



BMC

Frame	Kaius 01 Premium Carbon with Aerocore Design <ul style="list-style-type: none"> · ICS Technology, Stealth Cable Routing · Integrated Aerocore Bottle Cages · Stealth Dropout Design · TCC Race Compliance Level · PF86 Bottom Bracket · Flat Mount Disc · 12x142mm Thru-Axle
Fork	Kaius 01 Premium Carbon <ul style="list-style-type: none"> · ICS Technology, Stealth Cable Routing · TCC Race Compliance Level · Stealth Dropout Design · Flat Mount Disc · 12x100mm Thru-Axle
Seatpost	Kaius 01 Premium Carbon D-Shaped Seatpost <ul style="list-style-type: none"> · 15mm Offset
Handlebar	BMC RCB01 Carbon, Ergo Top Shape, Compact Bend
Stem	BMC ICS2 - Integrated Cockpit Design
Saddle	Fizik Vento Argo R5
Gears	2x12
Crankset	SRAM RIVAL AXS WIDE 43-30T
Cassette	SRAM RIVAL AXS XG-1250 10-36T
Chain	SRAM RIVAL 12 Speed
Front Derailleur	SRAM RIVAL eTap AXS WIDE
Rear Derailleur	SRAM RIVAL eTap AXS WIDE
Shifters	SRAM RIVAL eTap AXS HRD
Brakes	SRAM Rival eTap AXS HRD, Paceline Rotors (160/160)
Rims,	CRD-400 Carbon, Tubeless Ready, 40mm
Hubs (F/R)	CRD-400
Tires	Pirelli Cinturato Gravel H, 40mm
Sizes	47,51, 54, 56, 58, 61
Colour	tur blk ora
Retail price	EUR 8499, USD 8999, CHF 8999



BMC