

**BMC**



**KAIUS**

UNBOUND SPEED

**BMC**

# Unbound Speed

The gravel universe is endless with diverse terrains and everchanging ecosystems.

Gravel riding doesn't finish at bike packing or exploration. It expands to pure **performance** and **unhindered racing**.

That's where Kaius comes in.

A gravel-racing machine that accesses **unbound speed**.



# The Perfect Gravel Machine

Developed using the revolutionary road technologies BMC uses on its racing machines, Kaius is tuned to the gravel wavelength.

A **lightweight, stiff, compliant and aerodynamic** gravel-racing bike with optimal traction on loose surfaces.

Teaming unmatched climbing capabilities with sprint-winning power transfer and the requisite strength for peace of mind against stone strikes, Kaius opens the full spectrum of what is possible on every surface the rider encounters.



**BMC**



# Carbon Layout

- The carbon fibers are selected to play **distinct roles** in different areas of the frame.
- The **high-module** fibers provide stiffness, keep the weight low and balance out the added weight required to make Kaius compliant and robust.
- The **areas exposed to rocks and shocks** are protected to give riders peace of mind when pushing over bone-rattling surfaces.
- The result is a **gravel-tuned racing bike** whose compliance sits in the middle range of BMC's Tuned Compliance Concept Race Technology.

# Gravel Geometry

BMC built **Kaius** from the bottom up with one purpose: to **crush the competition in gravel races**.

The **gravel-specific frame** features a longer frame reach, with the front wheel moved forward to improve stability and increase traction on loose surfaces.

The shorter stem provides intuitive and responsive handling at all times.



**BMC**

# Kaius 01 Geometry

	Kaius 01 - ICS Carbon Cockpit						Kaius 01 - ICS2 Stem with RCB01 / RAB02 Bar					
Size	47	51	54	56	58	61	47	51	54	56	58	61
Rider Height cm	<166	166-174	172-180	178-186	184-192	>190	<166	166-174	172-180	178-186	184-192	>190
Stack mm	510	530	550	570	595	620	510	530	550	570	595	620
Reach mm	390	397	401	405	410	414	390	397	401	405	410	414
Seat Tube mm	428	452	468	493	513	533	428	452	468	493	513	533
Top Tube mm	546	559	569	579	592	604	546	559	569	579	592	604
Head tube mm	85	106	123	144	170	196	85	106	123	144	170	196
Seat angle°	73						73					
Head Tube Angle°	71	71	72	72	72	72	71	71	72	72	72	72
Rear Center mm	420	420	420	420	420	420	420	420	420	420	420	420
Front center mm	596	610	608	619	632	644	596	610	608	619	632	644
Wheelbase mm	1003	1017	1015	1026	1039	1051	1003	1017	1015	1026	1039	1051
BB drop mm	80						80					
Fork length mm	387	387	387	387	387	387	387	387	387	387	387	387
Fork rake mm	50	50	45	45	45	45	50	50	45	45	45	45
Trail mm	66	66	68	68	68	68	66	66	68	68	68	68
Standover Height mm	684	722	756	780	798	818	684	722	756	780	798	818
Crank Length mm	170	170	172.5	172.5	175	175	170	170	172.5	172.5	175	175
Stem Length mm	80	90	90	90	100	110	90	100	100	110	110	120
Stem Angle°	-15						-15					
Bar Width mm	420						400	420	420	420	420	440
Bar Drop mm	135						117					
Bar Reach mm	72.5						77					

# Lightweight

Kaius is not only stiff and comfortable, but also **lightweight**.

- Frame weight: **910 grams**
- Fork; **400 grams**
- Seat post: **160 grams**
- Cockpit at **315 grams**
- Complete module: **1.785 kg**



**BMC**

# Integrated Cockpit System (ICS)

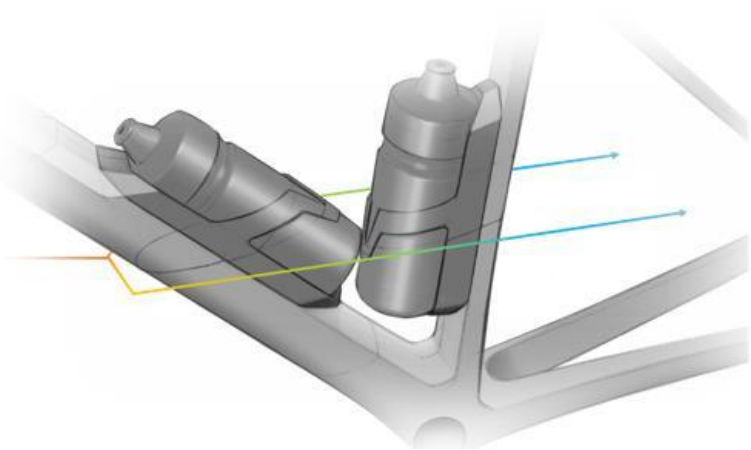


- Adding proven performance and welcome usability, Kaius uses BMC's lightweight **ICS** cockpit systems.
- Kaius 01 ONE is fitted with BMC's all-new **ICS Carbon Aero cockpit**, a system that includes an innovative design where the frontal section is reduced to match the performance of BMC's race frames.
- The cockpit features a **360 mm top width** at the hoods, a **420 mm width at the drops**, and a **12,5° flare** to provide complete control at high speeds.
- The cockpit's **low weight** (just **315 grams**) gives Kaius 01 ONE the final high-performance touch.
- Integrated stealth cable routing and mounts mesh with wide adjustability and WorldTour performance in an advanced one-piece cockpit system.

# Functional Integration

The ICS systems, combined with BMC's **Aerocore design**, provides Kaius with the highest level of functional integration.

This evolved solution integrates the bottle cages into the frame to optimize aerodynamic performance.





# Versatility

Kaius arrives with all you'd expect from a high-end gravel race bike.

- It can fit **1x and 2x drivetrains**
- Tires up to **44 m**
- A **dropper post**
- BMC's new **MTT Suspensions Stem**
- Tube **bolt-on bags**



# KAIUS 01 ONE



<b>Frame</b>	Kaius 01 Premium Carbon with Aerocore Design <ul style="list-style-type: none"><li>· ICS Technology, Stealth Cable Routing</li><li>· Integrated Aerocore Bottle Cages</li><li>· Stealth Dropout Design</li><li>· TCC Race Compliance Level</li><li>· PF86 Bottom Bracket</li><li>· Flat Mount Disc</li><li>· 12x142mm Thru-Axle</li></ul>
<b>Fork</b>	Kaius 01 Premium Carbon <ul style="list-style-type: none"><li>· ICS Technology, Stealth Cable Routing</li><li>· TCC Race Compliance Level</li><li>· Stealth Dropout Design</li><li>· Flat Mount Disc</li><li>· 12x100mm Thru-Axle</li></ul>
<b>Seatpost</b>	Kaius 01 Premium Carbon D-Shaped Seatpost <ul style="list-style-type: none"><li>· 15mm Offset</li></ul>
<b>Handlebar</b>	ICS Carbon Aero, One-Piece Full Carbon Cockpit
<b>Stem</b>	ICS Carbon Aero, One-Piece Full Carbon Cockpit
<b>Saddle</b>	Fizik Vento Argo 00
<b>Gears</b>	1x12
<b>Crankset</b>	SRAM Red AXS XPLR
<b>Cassette</b>	SRAM Force AXS XPLR XG-1271 10-44T
<b>Chain</b>	SRAM Red 12 Speed
<b>Front Derailleur</b>	-
<b>Rear Derailleur</b>	SRAM Red AXS XPLR
<b>Shifters</b>	SRAM Red eTap AXS HRD
<b>Brakes</b>	SRAM Red eTap AXS HRD, Centerline X Rotors (160/160)
<b>Rims,</b>	Zipp 303 Firecrest
<b>Hubs (F/R)</b>	Zipp 303 Firecrest
<b>Tires</b>	Pirelli Cinturato Gravel H, 40mm
<b>Sizes</b>	47,51, 54, 56, 58, 61
<b>Colour</b>	mst red blk
<b>Retail price</b>	<b>EUR 11499, USD 11999, CHF 11999</b>

# KAIUS 01 TWO



<b>Frame</b>	Kaius 01 Premium Carbon with Aerocore Design <ul style="list-style-type: none"><li>· ICS Technology, Stealth Cable Routing</li><li>· Integrated Aerocore Bottle Cages</li><li>· Stealth Dropout Design</li><li>· TCC Race Compliance Level</li><li>· PF86 Bottom Bracket</li><li>· Flat Mount Disc</li><li>· 12x142mm Thru-Axle</li></ul>
<b>Fork</b>	Kaius 01 Premium Carbon <ul style="list-style-type: none"><li>· ICS Technology, Stealth Cable Routing</li><li>· TCC Race Compliance Level</li><li>· Stealth Dropout Design</li><li>· Flat Mount Disc</li><li>· 12x100mm Thru-Axle</li></ul>
<b>Seatpost</b>	Kaius 01 Premium Carbon D-Shaped Seatpost <ul style="list-style-type: none"><li>· 15mm Offset</li></ul>
<b>Handlebar</b>	BMC RCB01 Carbon, Ergo Top Shape, Compact Bend
<b>Stem</b>	BMC ICS2 - Integrated Cockpit Design
<b>Saddle</b>	Fizik Vento Argo R3
<b>Gears</b>	2x12
<b>Crankset</b>	SRAM FORCE AXS WIDE 43-30T
<b>Cassette</b>	SRAM FORCE AXS XG-1270 10-36T
<b>Chain</b>	SRAM Red 12 Speed
<b>Front Derailleur</b>	SRAM FORCE eTap AXS WIDE
<b>Rear Derailleur</b>	SRAM FORCE eTap AXS WIDE
<b>Shifters</b>	SRAM FORCE eTap AXS HRD
<b>Brakes</b>	SRAM FORCE eTap AXS HRD, Centerline X Rotors (160/160)
<b>Rims,</b>	Zipp 303 S
<b>Hubs (F/R)</b>	Zipp 303 S
<b>Tires</b>	Pirelli Cinturato Gravel H, 40mm
<b>Sizes</b>	47,51, 54, 56, 58, 61
<b>Colour</b>	tur blk ora
<b>Retail price</b>	<b>EUR 8499, USD 8999, CHF 8999</b>

# KAIUS 01 THREE



<b>Frame</b>	Kaius 01 Premium Carbon with Aerocore Design <ul style="list-style-type: none"><li>· ICS Technology, Stealth Cable Routing</li><li>· Integrated Aerocore Bottle Cages</li><li>· Stealth Dropout Design</li><li>· TCC Race Compliance Level</li><li>· PF86 Bottom Bracket</li><li>· Flat Mount Disc</li><li>· 12x142mm Thru-Axle</li></ul>
<b>Fork</b>	Kaius 01 Premium Carbon <ul style="list-style-type: none"><li>· ICS Technology, Stealth Cable Routing</li><li>· TCC Race Compliance Level</li><li>· Stealth Dropout Design</li><li>· Flat Mount Disc</li><li>· 12x100mm Thru-Axle</li></ul>
<b>Seatpost</b>	Kaius 01 Premium Carbon D-Shaped Seatpost <ul style="list-style-type: none"><li>· 15mm Offset</li></ul>
<b>Handlebar</b>	BMC RCB01 Carbon, Ergo Top Shape, Compact Bend
<b>Stem</b>	BMC ICS2 - Integrated Cockpit Design
<b>Saddle</b>	Fizik Vento Argo R5
<b>Gears</b>	2x12
<b>Crankset</b>	SRAM RIVAL AXS WIDE 43-30T
<b>Cassette</b>	SRAM RIVAL AXS XG-1250 10-36T
<b>Chain</b>	SRAM RIVAL 12 Speed
<b>Front Derailleur</b>	SRAM RIVAL eTap AXS WIDE
<b>Rear Derailleur</b>	SRAM RIVAL eTap AXS WIDE
<b>Shifters</b>	SRAM RIVAL eTap AXS HRD
<b>Brakes</b>	SRAM Rival eTap AXS HRD, Paceline Rotors (160/160)
<b>Rims,</b>	CRD-400 Carbon, Tubeless Ready, 40mm
<b>Hubs (F/R)</b>	CRD-400
<b>Tires</b>	Pirelli Cinturato Gravel H, 40mm
<b>Sizes</b>	47,51, 54, 56, 58, 61
<b>Colour</b>	tur blk ora
<b>Retail price</b>	<b>EUR 8499, USD 8999, CHF 8999</b>



**BMC**