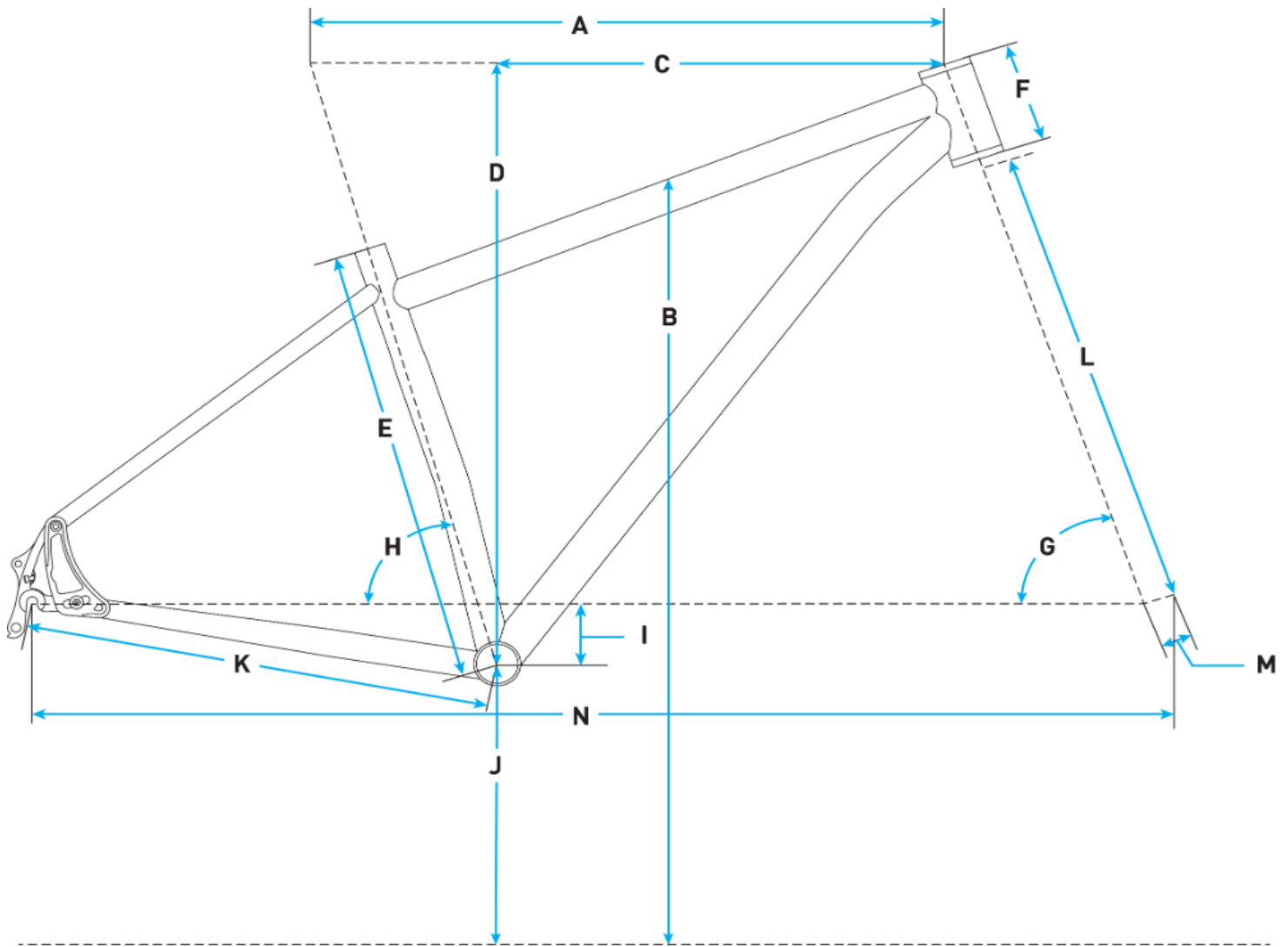


2026 Salsa Beargrease C Cues 11 - Sage - Geometrical Chart



Metric

Size	X-Small	Small	Medium	Large	X-Large
A. Effective Top Tube	565.0	591.0	612.0	633.0	654.0
B. Stand Over	684.5	726.6	744.4	774.8	804.0
C. Reach	390.8	408.4	426.5	444.7	462.8
D. Stack	588.1	597.4	606.7	616.0	625.3
E. Total Seat Tube Length	368.0	406.0	444.0	483.0	521.0
F. Headtube Length	98.0	108.0	118.0	128.0	138.0
G. Headtube Angle	68.56	68.56	68.56	68.56	68.56
H. Seat Tube Angle	73.5	73.0	73.0	73.0	73.0
I. BB Drop	65.0	65.0	65.0	65.0	65.0
K. Chainstay Length	440.0	440.0	440.0	440.0	440.0
L. Fork Length Axle to Crown	483.0	483.0	483.0	483.0	483.0
M. Fork Offset	51.0	51.0	51.0	51.0	51.0
N. Wheelbase	1086.2	1107.4	1129.2	1151.0	1172.9

Crank Arm Length	170.0	170.0	170.0	175.0	175.0
Handlebar Width	760.0	760.0	780.0	780.0	780.0
Recommended Rider Height	157.0 - 165.0	165.0 - 175.0	175.0 - 183.0	183.0 - 190.0	190.0
Stem Length	50.0	60.0	70.0	70.0	70.0

Imperial

Size	X-Small	Small	Medium	Large	X-Large
A. Effective Top Tube	22.24	23.27	24.09	24.92	25.75
B. Stand Over	26.95	28.61	29.31	30.5	31.65
C. Reach	15.39	16.08	16.79	17.51	18.22
D. Stack	23.15	23.52	23.89	24.25	24.62
E. Total Seat Tube Length	14.49	15.98	17.48	19.02	20.51
F. Headtube Length	3.86	4.25	4.65	5.04	5.43
G. Headtube Angle	68.56	68.56	68.56	68.56	68.56
H. Seat Tube Angle	73.5	73.0	73.0	73.0	73.0
I. BB Drop	2.56	2.56	2.56	2.56	2.56
K. Chainstay Length	17.32	17.32	17.32	17.32	17.32
L. Fork Length Axle to Crown	19.02	19.02	19.02	19.02	19.02
M. Fork Offset	2.01	2.01	2.01	2.01	2.01
N. Wheelbase	42.76	43.6	44.46	45.31	46.18
Crank Arm Length	6.69	6.69	6.69	6.89	6.89
Handlebar Width	760.0	760.0	780.0	780.0	780.0
Recommended Rider Height	61.81 - 64.96	64.96 - 68.9	68.9 - 72.05	72.05 - 74.8	74.8
Stem Length	1.97	2.36	2.76	2.76	2.76

Measurements based on:

- A Salsa Kingpin fork which is equivalent to an average 100mm travel suspension fat bike fork at 25% sag
- A 27.5 x 3.8" tire measuring 755mm in diameter
- Standover is measure from top of toptube to ground 50mm forward of BB center