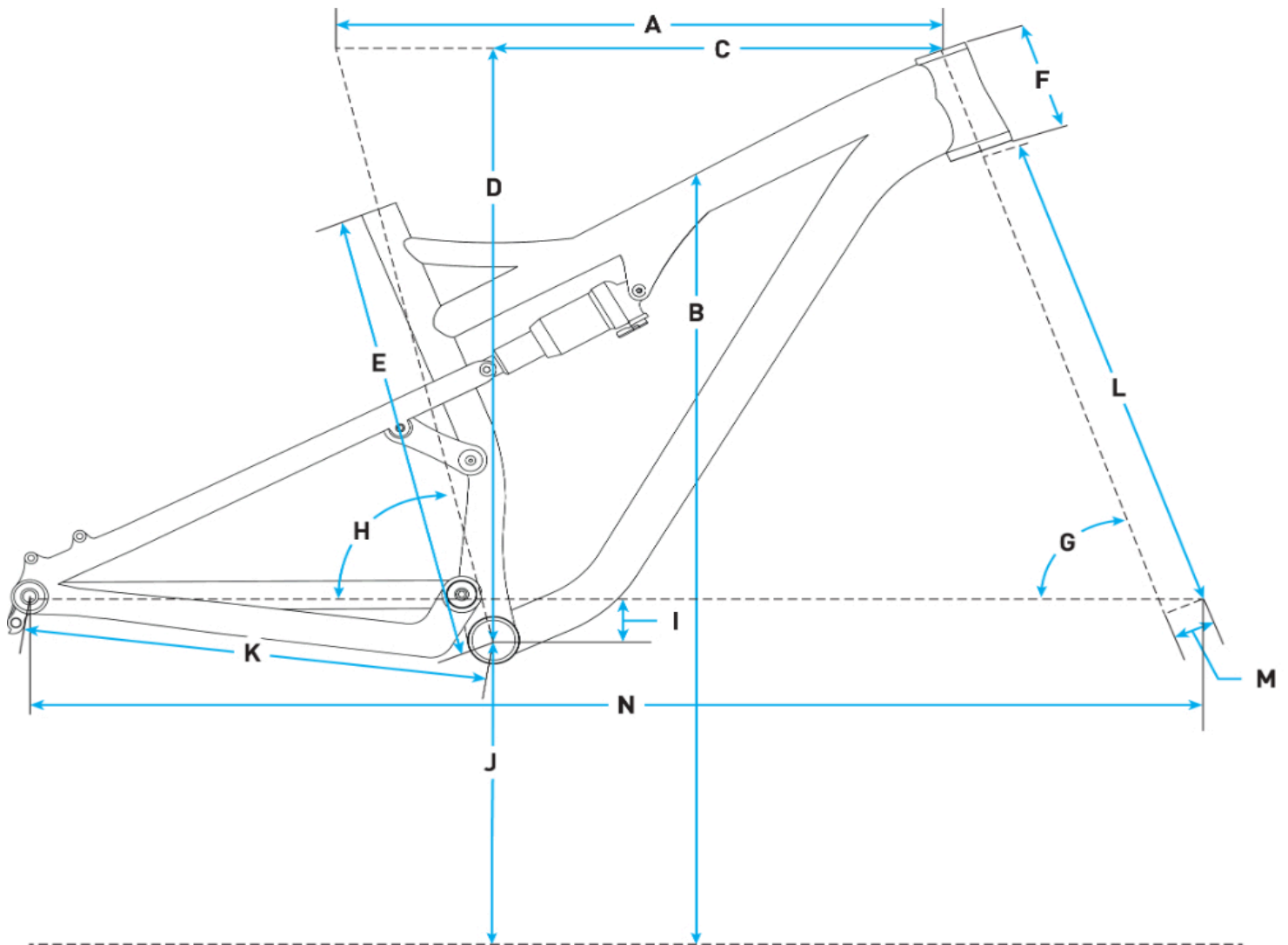


2026 Salsa Blackthorn 125 C Deore 12 - Coffee Black/Smoke - Geometrical Chart



Metric

Size	Small	Medium	Large	X-Large
A. Effective Top Tube	587.0- 588.0	609.0- 610.0	631.0- 632.0	653.0- 654.0
B. Stand Over	736.0- 733.0	736.0- 733.0	737.0- 733.0	737.0- 733.0
C. Reach	462.0- 458.0	482.0- 478.0	502.0- 498.0	521.0- 518.0
D. Stack	605.0- 609.0	614.0- 617.0	623.0- 626.0	632.0- 635.0
E. Total Seat Tube Length	405.0	430.0	455.0	480.0
F. Headtube Length	100.0	110.0	120.0	130.0
G. Headtube Angle	64.7 - 64.4	64.7 - 64.4	64.7 - 64.4	64.7 - 64.4
H. Seat Tube Angle	78.3 - 77.9	78.3 - 77.9	78.3 - 77.9	78.2 - 77.9

I. BB Drop	32.0- 36.0	31.0- 36.0	31.0- 36.0	31.0- 36.0
J. BB Height	344.0- 340.0	345.0- 340.0	345.0- 340.0	345.0- 340.0
K. Chainstay Length	432.0- 433.0	432.0- 433.0	432.0- 433.0	432.0- 433.0
L. Fork Length Axle to Crown	551.0	551.0	551.0	551.0
M. Fork Offset	43.0	43.0	43.0	43.0
N. Wheelbase	1211.0- 1211.0	1236.0- 1235.0	1260.0- 1260.0	1283.0- 1284.0
Crank Arm Length	165.0	165.0	170.0	170.0
Handlebar Width	780.0	780.0	780.0	780.0
Recommended Rider Height	157.0 - 170.0	168.0 - 180.0	178.0 - 191.0	188.0 - 201.0
Stem Length	40.0	40.0	40.0	40.0

Imperial

Size	Small	Medium	Large	X-Large
A. Effective Top Tube	23.11- 23.15	23.98- 24.02	24.84- 24.88	25.71- 25.75
B. Stand Over	28.98- 28.86	28.98- 28.86	29.02- 28.86	29.02- 28.86
C. Reach	18.19- 18.03	18.98- 18.82	19.76- 19.61	20.51- 20.39
D. Stack	23.82- 23.98	24.17- 24.29	24.53- 24.65	24.88- 25
E. Total Seat Tube Length	15.94	16.93	17.91	18.9
F. Headtube Length	3.94	4.33	4.72	5.12
G. Headtube Angle	64.7 - 64.4	64.7 - 64.4	64.7 - 64.4	64.7 - 64.4
H. Seat Tube Angle	78.3 - 77.9	78.3 - 77.9	78.3 - 77.9	78.2 - 77.9
I. BB Drop	1.26- 1.42	1.22- 1.42	1.22- 1.42	1.22- 1.42
J. BB Height	13.54- 13.39	13.58- 13.39	13.58- 13.39	13.58- 13.39
K. Chainstay Length	17.01- 17.05	17.01- 17.05	17.01- 17.05	17.01- 17.05
L. Fork Length Axle to Crown	21.69	21.69	21.69	21.69
M. Fork Offset	1.69	1.69	1.69	1.69
N. Wheelbase	47.68- 47.68	48.66- 48.62	49.61- 49.61	50.51- 50.55
Crank Arm Length	6.5	6.5	6.69	6.69
Handlebar Width	780.0	780.0	780.0	780.0
Recommended Rider Height	61.81 - 66.93	66.14 - 70.87	70.08 - 75.2	74.02 - 79.13
Stem Length	1.57	1.57	1.57	1.57

Measurements based on:

- an unsprung bike (no sag)
- a 29 x 2.5" tire measuring 752mm in diameter
- Standover is measured from vertically from ground to top of top tube 50mm forward of bottom bracket center
- Note: Where two measurements are listed, the first number is with Flip Chip in default High position; the second number is with Flip Chip in Low position