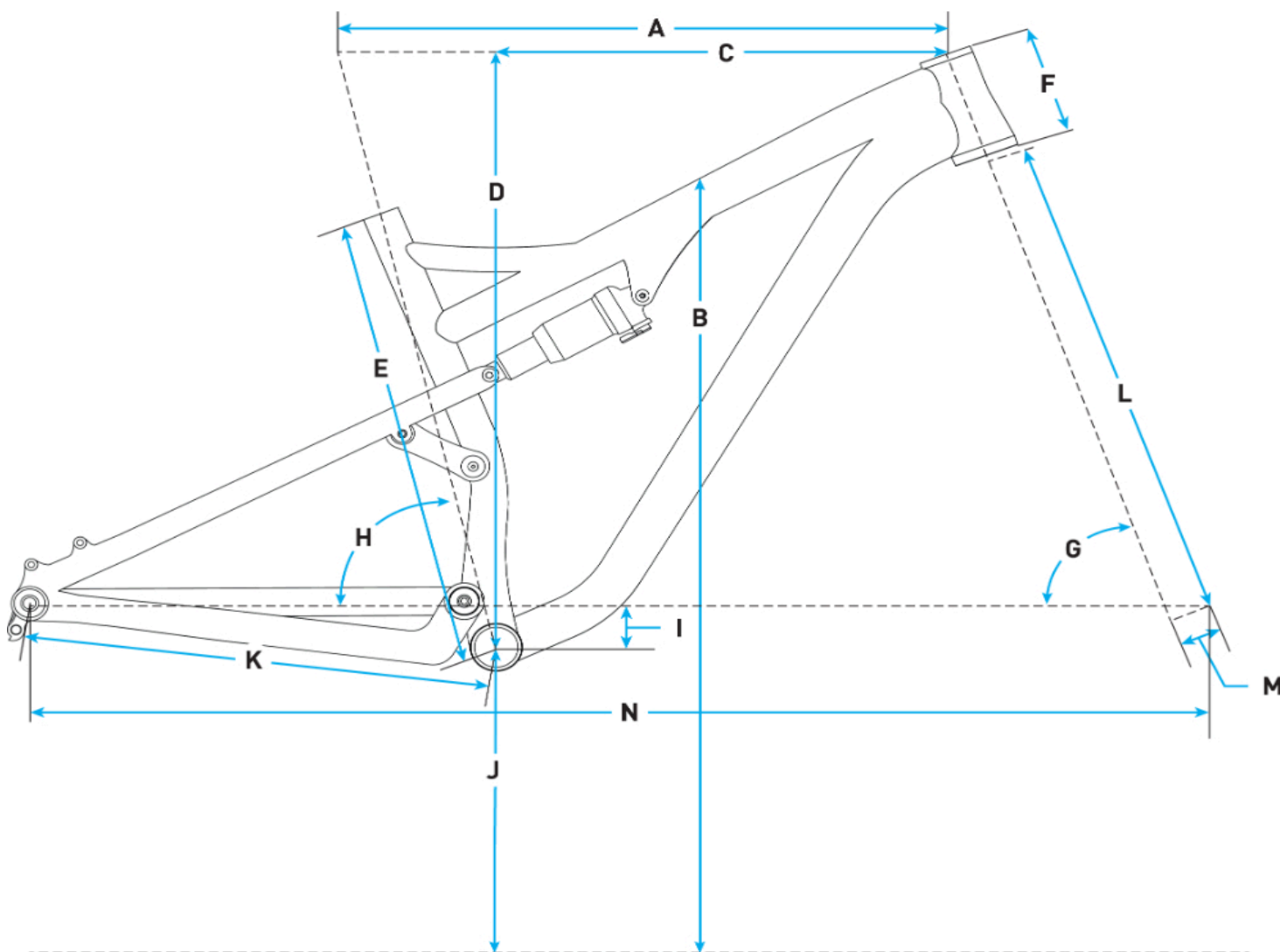


# 2026 Salsa Blackthorn 145 C Frameset - Black/Smoke - Geometrical Chart



## Metric

Size	Small	Medium	Large	X-Large
<b>A. Effective Top Tube</b>	589.0- 590.0	611.0- 612.0	633.0- 634.0	655.0- 656.0
<b>B. Stand Over</b>	746.0- 743.0	746.0- 743.0	747.0- 743.0	747.0- 743.0
<b>C. Reach</b>	452.0- 449.0	472.0- 469.0	492.0- 489.0	512.0- 509.0
<b>D. Stack</b>	612.0- 615.0	621.0- 624.0	630.0- 633.0	639.0- 642.0
<b>E. Total Seat Tube Length</b>	405.0	430.0	455.0	480.0
<b>F. Headtube Length</b>	100.0	110.0	120.0	130.0
<b>G. Headtube Angle</b>	63.9	63.9	63.9	63.9
	63.6	63.6	63.6	63.6
<b>H. Seat Tube Angle</b>	77.4	77.4	77.4	77.4
	77.1	77.1	77.1	77.1

<b>I. BB Drop</b>	25.0- 30.0	25.0- 30.0	25.0- 30.0	25.0- 30.0
<b>J. BB Height</b>	351.0- 346.0	351.0- 346.0	351.0- 346.0	351.0- 346.0
<b>K. Chainstay Length</b>	432.0- 433.0	432.0- 433.0	432.0- 433.0	432.0- 433.0
<b>L. Fork Length Axle to Crown</b>	571.0	571.0	571.0	571.0
<b>M. Fork Offset</b>	43.0	43.0	43.0	43.0
<b>N. Wheelbase</b>	1219.0- 1220.0	1243.0- 1244.0	1268.0- 1269.0	1292.0- 1293.0
<b>Crank Arm Length</b>				
<b>Handlebar Width</b>				
<b>Recommended Rider Height</b>	157.0 - 170.0	168.0 - 180.0	178.0 - 191.0	188.0 - 201.0
<b>Stem Length</b>				

## Imperial

Size	Small	Medium	Large	X-Large
<b>A. Effective Top Tube</b>	23.19- 23.23	24.06- 24.09	24.92- 24.96	25.79- 25.83
<b>B. Stand Over</b>	29.37- 29.25	29.37- 29.25	29.41- 29.25	29.41- 29.25
<b>C. Reach</b>	17.8- 17.68	18.58- 18.46	19.37- 19.25	20.16- 20.04
<b>D. Stack</b>	24.09- 24.21	24.45- 24.57	24.8- 24.92	25.16- 25.28
<b>E. Total Seat Tube Length</b>	15.94	16.93	17.91	18.9
<b>F. Headtube Length</b>	3.94	4.33	4.72	5.12
<b>G. Headtube Angle</b>	63.9 - 63.6	63.9 - 63.6	63.9 - 63.6	63.9 - 63.6
<b>H. Seat Tube Angle</b>	77.4 - 77.1	77.4 - 77.1	77.4 - 77.1	77.4 - 77.1
<b>I. BB Drop</b>	0.98- 1.18	0.98- 1.18	0.98- 1.18	0.98- 1.18
<b>J. BB Height</b>	13.82- 13.62	13.82- 13.62	13.82- 13.62	13.82- 13.62
<b>K. Chainstay Length</b>	17.01- 17.05	17.01- 17.05	17.01- 17.05	17.01- 17.05
<b>L. Fork Length Axle to Crown</b>	22.48	22.48	22.48	22.48
<b>M. Fork Offset</b>	1.69	1.69	1.69	1.69
<b>N. Wheelbase</b>	47.99- 48.03	48.94- 48.98	49.92- 49.96	50.87- 50.91
<b>Crank Arm Length</b>				
<b>Handlebar Width</b>				
<b>Recommended Rider Height</b>	61.81 - 66.93	66.14 - 70.87	70.08 - 75.2	74.02 - 79.13
<b>Stem Length</b>				

## Measurements based on:

- an unsprung bike (no sag)
- a 29 x 2.5" tire measuring 752mm in diameter
- Standover is measured from vertically from ground to top of top tube 50mm forward of bottom bracket center
- Note: Where two measurements are listed, the first number is with Flip Chip in default High position; the second number is with Flip Chip in Low position