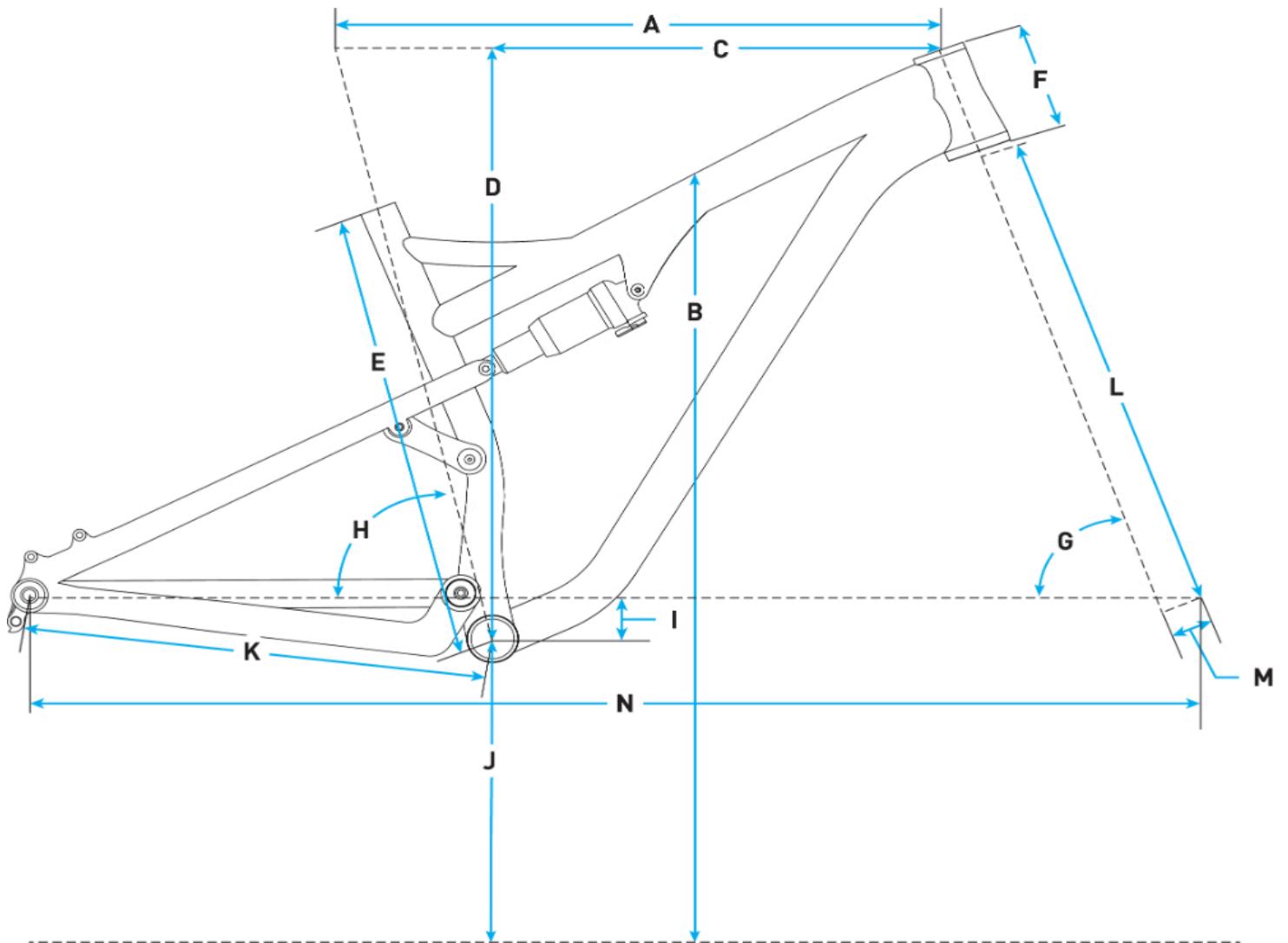


2026 Salsa Blackthorn 145 C GX Transmission - Slate/Terracotta - Geometrical Chart



Metric

Size	Small	Medium	Large	X-Large
A. Effective Top Tube	589.0- 590.0	611.0- 612.0	633.0- 634.0	655.0- 656.0
B. Stand Over	746.0- 743.0	746.0- 743.0	747.0- 743.0	747.0- 743.0
C. Reach	452.0- 449.0	472.0- 469.0	492.0- 489.0	512.0- 509.0
D. Stack	612.0- 615.0	621.0- 624.0	630.0- 633.0	639.0- 642.0
E. Total Seat Tube Length	405.0	430.0	455.0	480.0
F. Headtube Length	100.0	110.0	120.0	130.0
G. Headtube Angle	63.9 - 63.6	63.9 - 63.6	63.9 - 63.6	63.9 - 63.6
H. Seat Tube Angle	77.4 - 77.1	77.4 - 77.1	77.4 - 77.1	77.4 - 77.1

I. BB Drop	25.0- 30.0	25.0- 30.0	25.0- 30.0	25.0- 30.0
J. BB Height	351.0- 346.0	351.0- 346.0	351.0- 346.0	351.0- 346.0
K. Chainstay Length	432.0- 433.0	432.0- 433.0	432.0- 433.0	432.0- 433.0
L. Fork Length Axle to Crown	571.0	571.0	571.0	571.0
M. Fork Offset	43.0	43.0	43.0	43.0
N. Wheelbase	1219.0- 1220.0	1243.0- 1244.0	1268.0- 1269.0	1292.0- 1293.0
Crank Arm Length	165.0	165.0	170.0	170.0
Handlebar Width	760.0	800.0	800.0	800.0
Recommended Rider Height	157.0 - 170.0	168.0 - 180.0	178.0 - 191.0	188.0 - 201.0
Stem Length	40.0	40.0	40.0	40.0

Imperial

Size	Small	Medium	Large	X-Large
A. Effective Top Tube	23.19- 23.23	24.06- 24.09	24.92- 24.96	25.79- 25.83
B. Stand Over	29.37- 29.25	29.37- 29.25	29.41- 29.25	29.41- 29.25
C. Reach	17.8- 17.68	18.58- 18.46	19.37- 19.25	20.16- 20.04
D. Stack	24.09- 24.21	24.45- 24.57	24.8- 24.92	25.16- 25.28
E. Total Seat Tube Length	15.94	16.93	17.91	18.9
F. Headtube Length	3.94	4.33	4.72	5.12
G. Headtube Angle	63.9 - 63.6	63.9 - 63.6	63.9 - 63.6	63.9 - 63.6
H. Seat Tube Angle	77.4 - 77.1	77.4 - 77.1	77.4 - 77.1	77.4 - 77.1
I. BB Drop	0.98- 1.18	0.98- 1.18	0.98- 1.18	0.98- 1.18
J. BB Height	13.82- 13.62	13.82- 13.62	13.82- 13.62	13.82- 13.62
K. Chainstay Length	17.01- 17.05	17.01- 17.05	17.01- 17.05	17.01- 17.05
L. Fork Length Axle to Crown	22.48	22.48	22.48	22.48
M. Fork Offset	1.69	1.69	1.69	1.69
N. Wheelbase	47.99- 48.03	48.94- 48.98	49.92- 49.96	50.87- 50.91
Crank Arm Length	6.5	6.5	6.69	6.69
Handlebar Width	760.0	800.0	800.0	800.0
Recommended Rider Height	61.81 - 66.93	66.14 - 70.87	70.08 - 75.2	74.02 - 79.13
Stem Length	1.57	1.57	1.57	1.57

Measurements based on:

- an unsprung bike (no sag)
- a 29 x 2.5" tire measuring 752mm in diameter
- Standover is measured from vertically from ground to top of top tube 50mm forward of bottom bracket center
- Note: Where two measurements are listed, the first number is with Flip Chip in default High position; the second number is with Flip Chip in Low position