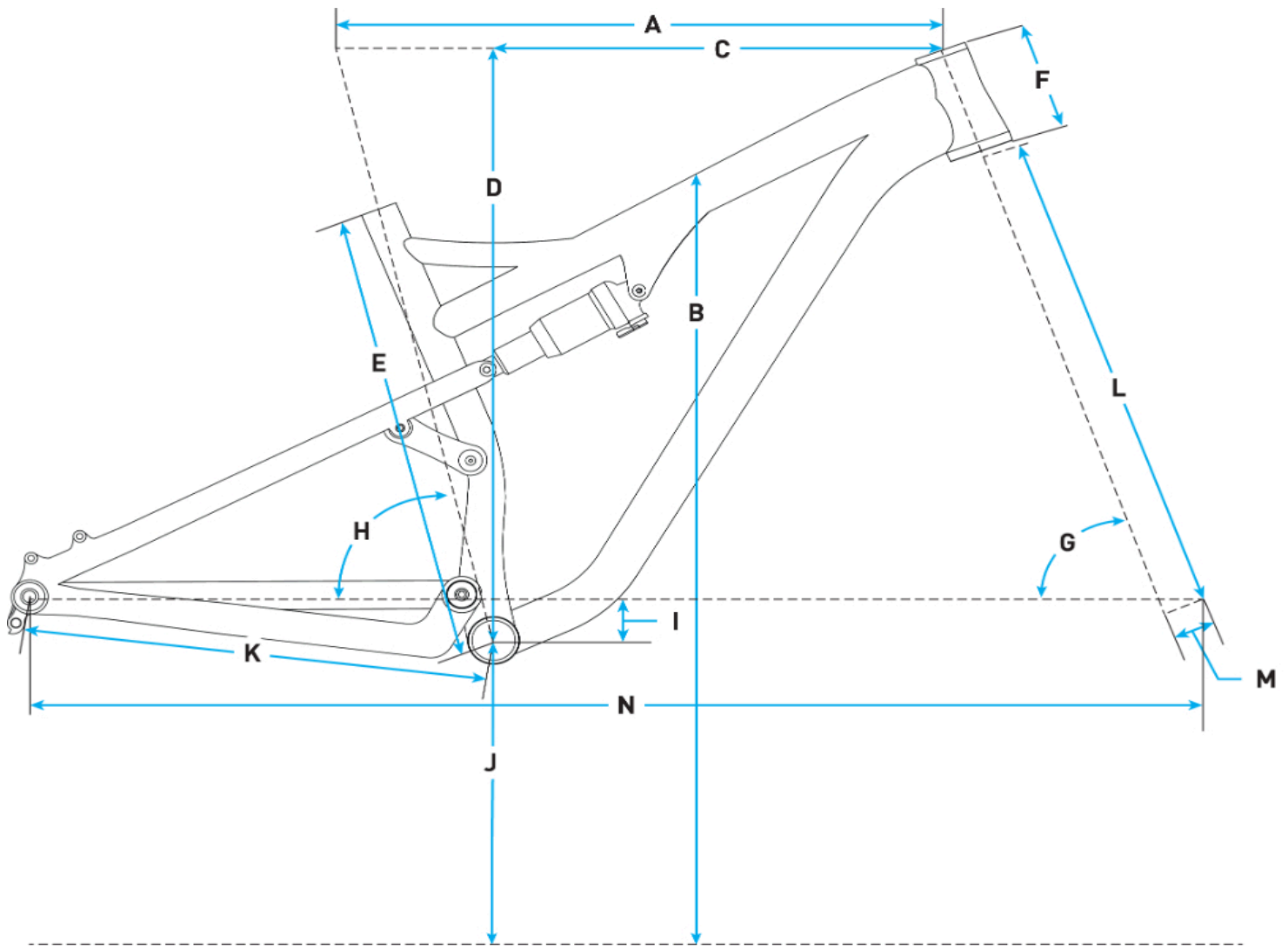


2026 Salsa Blackthorn SLX - Mustard - Geometrical Chart



Metric

Size	Small	Medium	Large	X-Large
A. Effective Top Tube	594.0- 593.0	616.0- 615.0	640.0- 639.0	663.0- 662.0
B. Stand Over	726.0- 728.0	729.0- 732.0	730.0- 733.0	730.0- 733.0
C. Reach	448.0- 451.0	469.0- 472.0	490.0- 493.0	510.0- 514.0
D. Stack	611.0- 609.0	615.0- 613.0	624.0- 622.0	633.0- 630.0
E. Total Seat Tube Length	405.0	430.0	455.0	480.0
F. Headtube Length	95.0	100.0	110.0	120.0
G. Headtube Angle	64.6 - 64.9	64.6 - 64.9	64.6 - 64.9	64.6 - 64.9
H. Seat Tube Angle	76.5 - 76.8	76.5 - 76.8	76.5 - 76.8	76.5 - 76.8
I. BB Drop	26.0- 22.0	26.0- 22.0	26.0- 21.0	26.0- 21.0
K. Chainstay Length	432.0- 431.0	432.0- 431.0	432.0- 431.0	432.0- 431.0

L. Fork Length Axle to Crown	569.0	569.0	569.0	569.0
M. Fork Offset	43.0	43.0	43.0	43.0
N. Wheelbase	1204.0- 1204.0	1228.0- 1227.0	1253.0- 1252.0	1278.0- 1278.0
Crank Arm Length	165.0	170.0	170.0	175.0
Handlebar Width				
Recommended Rider Height	165.0 - 173.0	173.0 - 180.0	180.0 - 188.0	188.0
Stem Length	50.0	50.0	50.0	50.0

Imperial

Size	Small	Medium	Large	X-Large
A. Effective Top Tube	23.39- 23.35	24.25- 24.21	25.2- 25.16	26.1- 26.06
B. Stand Over	28.58- 28.66	28.7- 28.82	28.74- 28.86	28.74- 28.86
C. Reach	17.64- 17.76	18.46- 18.58	19.29- 19.41	20.08- 20.24
D. Stack	24.06- 23.98	24.21- 24.13	24.57- 24.49	24.92- 24.8
E. Total Seat Tube Length	15.94	16.93	17.91	18.9
F. Headtube Length	3.74	3.94	4.33	4.72
G. Headtube Angle	64.6	64.6	64.6	64.6
	-	-	-	-
H. Seat Tube Angle	64.9	64.9	64.9	64.9
	-	-	-	-
I. BB Drop	76.5	76.5	76.5	76.5
	-	-	-	-
J. Chainstay Length	76.8	76.8	76.8	76.8
	-	-	-	-
I. BB Drop	1.02- 0.87	1.02- 0.87	1.02- 0.83	1.02- 0.83
K. Chainstay Length	17.01- 16.97	17.01- 16.97	17.01- 16.97	17.01- 16.97
L. Fork Length Axle to Crown	22.4	22.4	22.4	22.4
M. Fork Offset	1.69	1.69	1.69	1.69
N. Wheelbase	47.4- 47.4	48.35- 48.31	49.33- 49.29	50.31- 50.31
Crank Arm Length	6.5	6.69	6.69	6.89
Handlebar Width				
Recommended Rider Height	64.96 - 68.11	68.11 - 70.87	70.87 - 74.02	74.02
Stem Length	1.97	1.97	1.97	1.97

Measurements based on:

- an unsprung bike (no sag)
- a 29 x 2.4" tire measuring 746mm in diameter
- Standover is measured from vertically from ground to top of top tube 50mm forward of bottom bracket, subtract 9mm (0.3") for 27.5 x 2.8" tires
- Note: Where two measurements are listed, the first number is with Flip Chip in Low position; the second number is with Flip Chip in High position