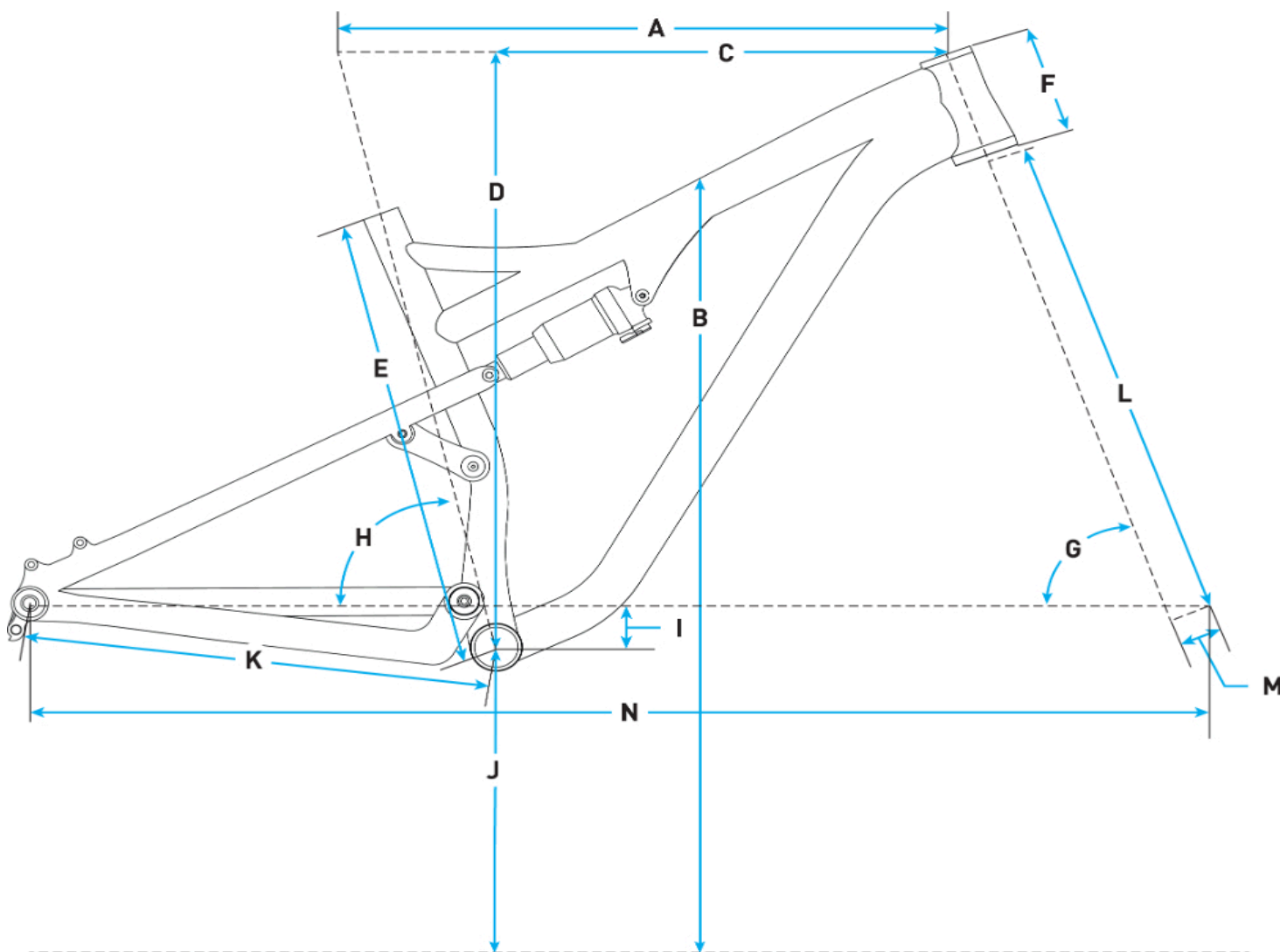


2026 Salsa Cassidy Frame - Brushed Raw Aluminum - Geometrical Chart



Metric

Size	Small	Medium	Large	X-Large
A. Effective Top Tube	596.0- 595.0	619.0- 618.0	642.0- 641.0	665.0- 664.0
B. Stand Over	737.0- 740.0	740.0- 743.0	741.0- 744.0	741.0- 744.0
C. Reach	439.0- 443.0	460.0- 463.0	481.0- 484.0	502.0- 505.0
D. Stack	617.0- 615.0	622.0- 619.0	631.0- 628.0	640.0- 637.0
E. Total Seat Tube Length	405.0	430.0	455.0	480.0
F. Headtube Length	95.0	100.0	110.0	120.0
G. Headtube Angle	63.8 64.1	63.8 64.1	63.8 64.1	63.8 64.1
H. Seat Tube Angle	75.7 76.0	75.7 76.0	75.7 76.0	75.7 76.0

I. BB Drop	19.0- 15.0	19.0- 15.0	19.0- 15.0	19.0- 15.0
K. Chainstay Length	432.0- 431.0	432.0- 431.0	432.0- 431.0	432.0- 431.0
L. Fork Length Axle to Crown	589.0	589.0	589.0	589.0
M. Fork Offset	43.0	43.0	43.0	43.0
N. Wheelbase	1213.0- 1212.0	1236.0- 1235.0	1262.0- 1261.0	1287.0- 1286.0
Crank Arm Length	170.0	170.0	170.0	170.0
Handlebar Width				
Recommended Rider Height	165.0 - 173.0	173.0 - 180.0	180.0 - 188.0	188.0
Stem Length	50.0	50.0	50.0	50.0

Imperial

Size	Small	Medium	Large	X-Large
A. Effective Top Tube	23.46- 23.43	24.37- 24.33	25.28- 25.24	26.18- 26.14
B. Stand Over	29.02- 29.13	29.13- 29.25	29.17- 29.29	29.17- 29.29
C. Reach	17.28- 17.44	18.11- 18.23	18.94- 19.06	19.76- 19.88
D. Stack	24.29- 24.21	24.49- 24.37	24.84- 24.72	25.2- 25.08
E. Total Seat Tube Length	15.94	16.93	17.91	18.9
F. Headtube Length	3.74	3.94	4.33	4.72
G. Headtube Angle	63.8 - 64.1	63.8 - 64.1	63.8 - 64.1	63.8 - 64.1
H. Seat Tube Angle	75.7 - 76.0	75.7 - 76.0	75.7 - 76.0	75.7 - 76.0
I. BB Drop	0.75- 0.59	0.75- 0.59	0.75- 0.59	0.75- 0.59
K. Chainstay Length	17.01- 16.97	17.01- 16.97	17.01- 16.97	17.01- 16.97
L. Fork Length Axle to Crown	23.19	23.19	23.19	23.19
M. Fork Offset	1.69	1.69	1.69	1.69
N. Wheelbase	47.76- 47.72	48.66- 48.62	49.69- 49.65	50.67- 50.63
Crank Arm Length	6.69	6.69	6.69	6.69
Handlebar Width				
Recommended Rider Height	64.96 - 68.11	68.11 - 70.87	70.87 - 74.02	74.02
Stem Length	1.97	1.97	1.97	1.97

Measurements based on:

- an unsprung bike (no sag)
- a 29 x 2.4" tire measuring 746mm in diameter
- Standover is measured from vertically from ground to top of top tube 50mm forward of bottom bracket, subtract 9mm (0.3") for 27.5 x 2.8" tires
- Note: Where two measurements are listed, the first number is with Flip Chip in Low position; the second number is with Flip Chip in High position