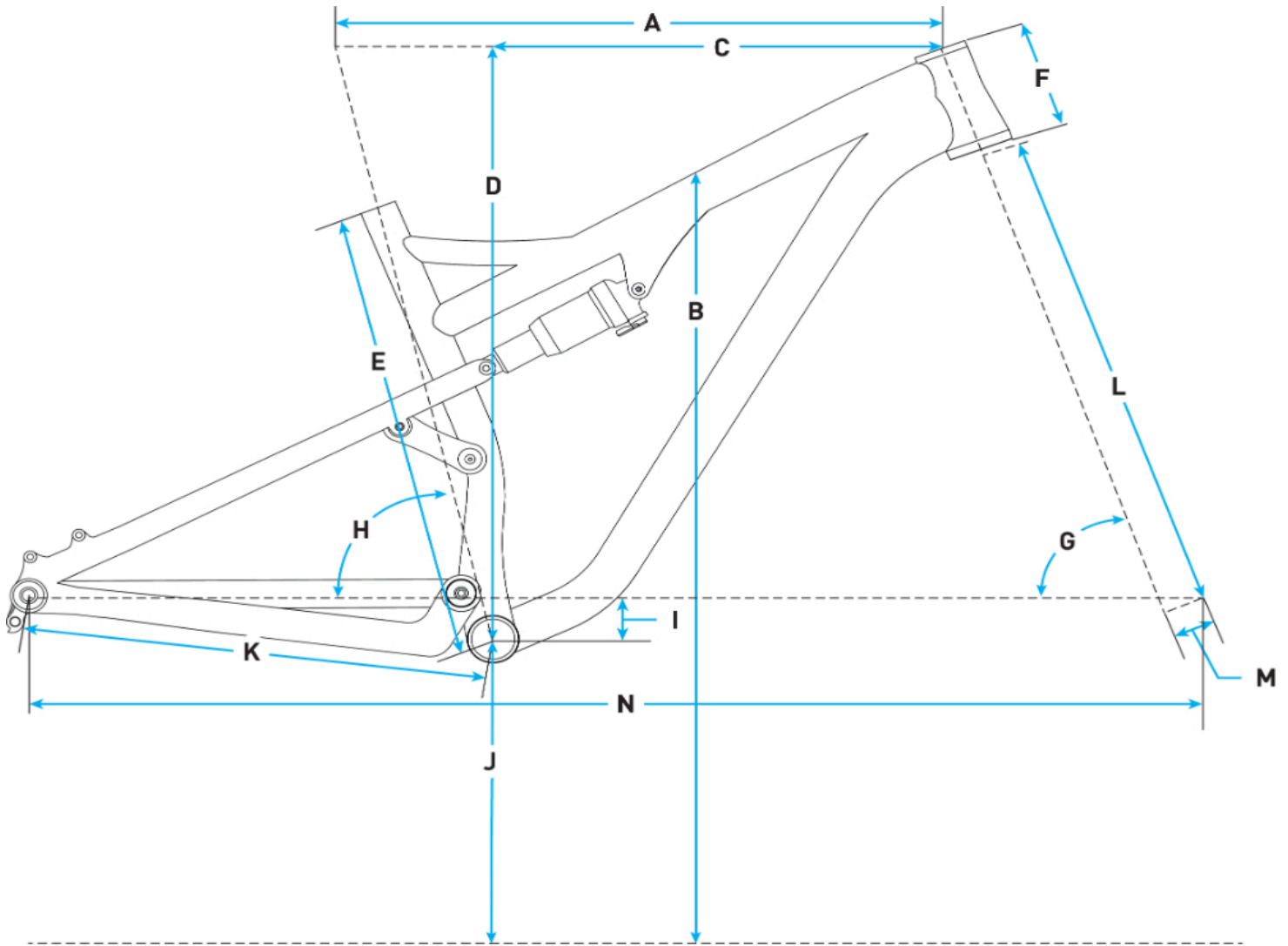


2026 Salsa Cassidy SLX - Tan - Geometrical Chart



Metric

Size	Small	Medium	Large	X-Large
A. Effective Top Tube	596.0- 595.0	619.0- 618.0	642.0- 641.0	665.0- 664.0
B. Stand Over	737.0- 740.0	740.0- 743.0	741.0- 744.0	741.0- 744.0
C. Reach	439.0- 443.0	460.0- 463.0	481.0- 484.0	502.0- 505.0
D. Stack	617.0- 615.0	622.0- 619.0	631.0- 628.0	640.0- 637.0
E. Total Seat Tube Length	405.0	430.0	455.0	480.0
F. Headtube Length	95.0	100.0	110.0	120.0
G. Headtube Angle	63.8 - 64.1	63.8 - 64.1	63.8 - 64.1	63.8 - 64.1
H. Seat Tube Angle	75.7 - 76.0	75.7 - 76.0	75.7 - 76.0	75.7 - 76.0
I. BB Drop	19.0- 15.0	19.0- 15.0	19.0- 15.0	19.0- 15.0
K. Chainstay Length	432.0- 431.0	432.0- 431.0	432.0- 431.0	432.0- 431.0

L. Fork Length Axle to Crown	589.0	589.0	589.0	589.0
M. Fork Offset	43.0	43.0	43.0	43.0
N. Wheelbase	1213.0- 1212.0	1236.0- 1235.0	1262.0- 1261.0	1287.0- 1286.0
Crank Arm Length	165.0	165.0	170.0	170.0
Handlebar Width				
Recommended Rider Height	165.0 - 173.0	173.0 - 180.0	180.0 - 188.0	188.0
Stem Length	50.0	50.0	50.0	50.0

Imperial

Size	Small	Medium	Large	X-Large
A. Effective Top Tube	23.46- 23.43	24.37- 24.33	25.28- 25.24	26.18- 26.14
B. Stand Over	29.02- 29.13	29.13- 29.25	29.17- 29.29	29.17- 29.29
C. Reach	17.28- 17.44	18.11- 18.23	18.94- 19.06	19.76- 19.88
D. Stack	24.29- 24.21	24.49- 24.37	24.84- 24.72	25.2- 25.08
E. Total Seat Tube Length	15.94	16.93	17.91	18.9
F. Headtube Length	3.74	3.94	4.33	4.72
G. Headtube Angle	63.8	63.8	63.8	63.8
	-	-	-	-
H. Seat Tube Angle	64.1	64.1	64.1	64.1
	-	-	-	-
I. BB Drop	75.7	75.7	75.7	75.7
	-	-	-	-
J. Chainstay Length	76.0	76.0	76.0	76.0
	-	-	-	-
I. BB Drop	0.75- 0.59	0.75- 0.59	0.75- 0.59	0.75- 0.59
K. Chainstay Length	17.01- 16.97	17.01- 16.97	17.01- 16.97	17.01- 16.97
L. Fork Length Axle to Crown	23.19	23.19	23.19	23.19
M. Fork Offset	1.69	1.69	1.69	1.69
N. Wheelbase	47.76- 47.72	48.66- 48.62	49.69- 49.65	50.67- 50.63
Crank Arm Length	6.5	6.5	6.69	6.69
Handlebar Width				
Recommended Rider Height	64.96 - 68.11	68.11 - 70.87	70.87 - 74.02	74.02
Stem Length	1.97	1.97	1.97	1.97

Measurements based on:

- an unsprung bike (no sag)
- a 29 x 2.4" tire measuring 746mm in diameter
- Standover is measured from vertically from ground to top of top tube 50mm forward of bottom bracket, subtract 9mm (0.3") for 27.5 x 2.8" tires
- Note: Where two measurements are listed, the first number is with Flip Chip in Low position; the second number is with Flip Chip in High position