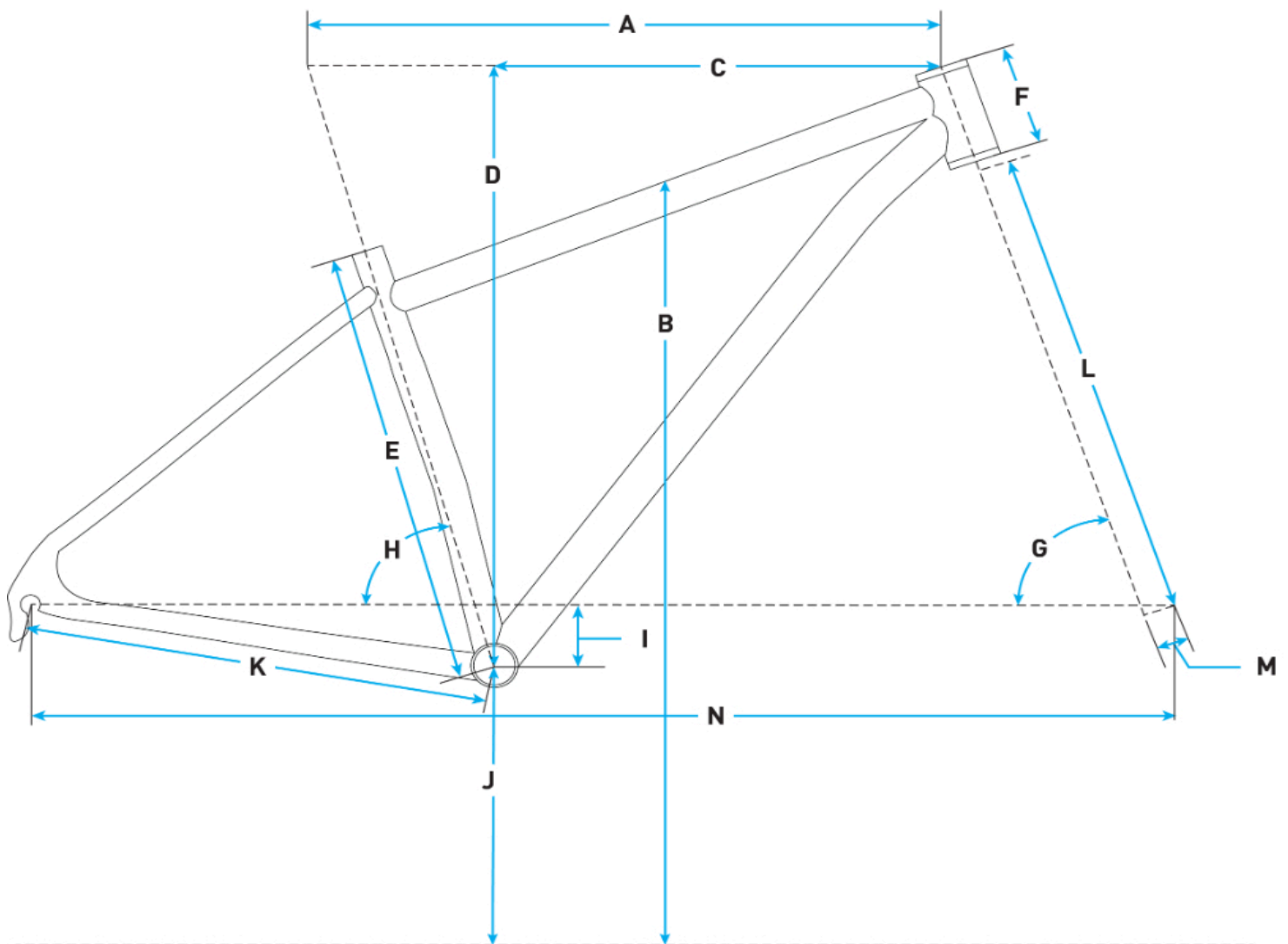


# 2026 Salsa Confluence Flat Bar Cues 11 - Dark Cyan - Geometrical Chart



## Metric

Size	X-Small	Small	Medium	Large	X-Large
<b>A. Effective Top Tube</b>	550.0	570.0	600.0	625.0	650.0
<b>B. Stand Over</b>	622.0	659.0	721.0	761.0	800.0
<b>C. Reach</b>	394.0	406.0	424.0	438.0	451.0
<b>D. Stack</b>	510.0	538.0	575.0	613.0	650.0
<b>E. Total Seat Tube Length</b>	340.0	380.0	450.0	490.0	530.0
<b>F. Headtube Length</b>	90.0	120.0	160.0	200.0	240.0
<b>G. Headtube Angle</b>	68.5	68.5	68.5	68.5	68.5
<b>H. Seat Tube Angle</b>	73.0	73.0	73.0	73.0	73.0
<b>I. BB Drop</b>	70.0	70.0	70.0	70.0	70.0
<b>K. Chainstay Length</b>	440.0	440.0	440.0	440.0	440.0
<b>L. Fork Length Axle to Crown</b>	402.0	402.0	402.0	402.0	402.0

<b>M. Fork Offset</b>	50.0	50.0	50.0	50.0	50.0
<b>N. Wheelbase</b>	1056.0	1078.0	1111.0	1140.0	1168.0
<b>Crank Arm Length</b>	165.0	170.0	172.5	172.5	175.0
<b>Handlebar Width</b>	700.0	700.0	700.0	700.0	700.0
<b>Recommended Rider Height</b>	142.0 - 150.0	152.0 - 163.0	163.0 - 173.0	173.0 - 183.0	183.0 - 193.0
<b>Stem Length</b>	60.0	70.0	70.0	80.0	90.0

## Imperial

Size	X-Small	Small	Medium	Large	X-Large
<b>A. Effective Top Tube</b>	21.65	22.44	23.62	24.61	25.59
<b>B. Stand Over</b>	24.49	25.94	28.39	29.96	31.5
<b>C. Reach</b>	15.51	15.98	16.69	17.24	17.76
<b>D. Stack</b>	20.08	21.18	22.64	24.13	25.59
<b>E. Total Seat Tube Length</b>	13.39	14.96	17.72	19.29	20.87
<b>F. Headtube Length</b>	3.54	4.72	6.3	7.87	9.45
<b>G. Headtube Angle</b>	68.5	68.5	68.5	68.5	68.5
<b>H. Seat Tube Angle</b>	73.0	73.0	73.0	73.0	73.0
<b>I. BB Drop</b>	2.76	2.76	2.76	2.76	2.76
<b>K. Chainstay Length</b>	17.32	17.32	17.32	17.32	17.32
<b>L. Fork Length Axle to Crown</b>	15.83	15.83	15.83	15.83	15.83
<b>M. Fork Offset</b>	1.97	1.97	1.97	1.97	1.97
<b>N. Wheelbase</b>	41.57	42.44	43.74	44.88	45.98
<b>Crank Arm Length</b>	6.5	6.69	6.79	6.79	6.89
<b>Handlebar Width</b>	700.0	700.0	700.0	700.0	700.0
<b>Recommended Rider Height</b>	55.91 - 59.06	59.84 - 64.17	64.17 - 68.11	68.11 - 72.05	72.05 - 75.98
<b>Stem Length</b>	2.36	2.76	2.76	3.15	3.54

## Measurements based on:

- An unsprung bike (no sag)
- A 700c x 42 mm tire measuring 710 mm in diameter
- Standover (B) for all sizes is measured vertically to top of toptube from a position 50 mm forward of BB center