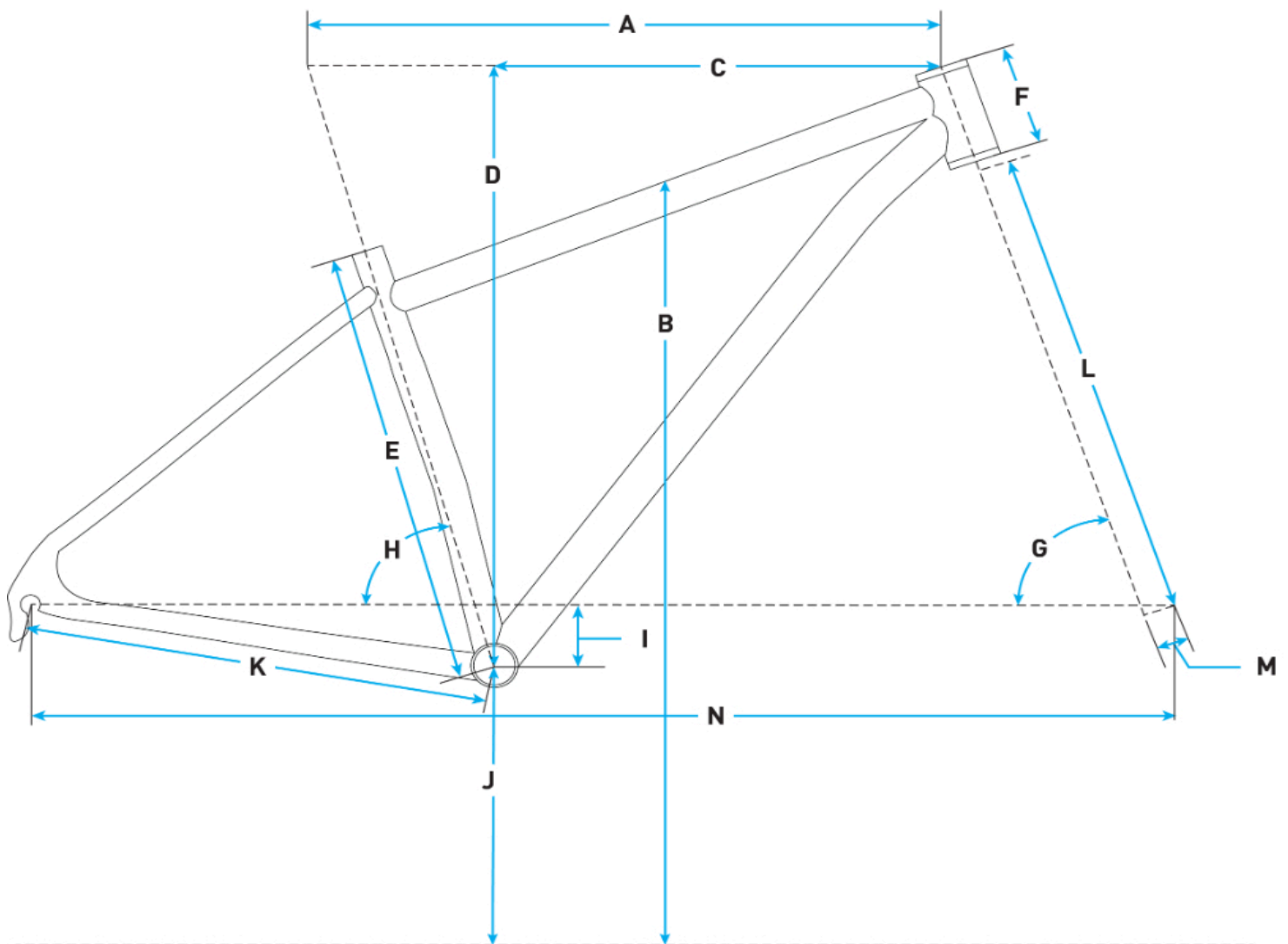


2026 Salsa Cutthroat C Force X0 AXS Transmission - White - Geometrical Chart



Metric

Size	52cm	54cm	56cm	58cm	60cm
A. Effective Top Tube	520.0	540.0	560.0	580.0	600.0
B. Stand Over	700.44	741.72	810.51	851.75	874.22
C. Reach	357.77	372.91	385.28	395.13	406.36
D. Stack	584.98	592.45	619.53	644.73	664.34
E. Total Seat Tube Length	355.6	419.1	508.0	558.8	584.2
F. Headtube Length	90.0	98.0	127.0	154.0	175.0
G. Headtube Angle	69.0	69.0	69.0	69.0	69.0
H. Seat Tube Angle	74.5	74.25	74.25	74.0	73.75
I. BB Drop	70.0	70.0	70.0	70.0	70.0
K. Chainstay Length	445.0	445.0	445.0	445.0	445.0
L. Fork Length Axle to Crown	483.0	483.0	483.0	483.0	483.0

M. Fork Offset	51.0	51.0	51.0	51.0	51.0
N. Wheelbase	1049.54	1067.55	1090.31	1109.83	1128.6
Crank Arm Length	170.0	170.0	175.0	175.0	175.0
Handlebar Width	44.0	46.0	46.0	46.0	46.0
Recommended Rider Height	154.0 - 168.0	168.0 - 175.0	173.0 - 185.0	183.0 - 193.0	190.0
Stem Length	60.0	70.0	80.0	80.0	90.0

Imperial

Size	52cm	54cm	56cm	58cm	60cm
A. Effective Top Tube	20.47	21.26	22.05	22.83	23.62
B. Stand Over	27.58	29.2	31.91	33.53	34.42
C. Reach	14.09	14.68	15.17	15.56	16
D. Stack	23.03	23.32	24.39	25.38	26.16
E. Total Seat Tube Length	14	16.5	20	22	23
F. Headtube Length	3.54	3.86	5	6.06	6.89
G. Headtube Angle	69.0	69.0	69.0	69.0	69.0
H. Seat Tube Angle	74.5	74.25	74.25	74.0	73.75
I. BB Drop	2.76	2.76	2.76	2.76	2.76
K. Chainstay Length	17.52	17.52	17.52	17.52	17.52
L. Fork Length Axle to Crown	19.02	19.02	19.02	19.02	19.02
M. Fork Offset	2.01	2.01	2.01	2.01	2.01
N. Wheelbase	41.32	42.03	42.93	43.69	44.43
Crank Arm Length	6.69	6.69	6.89	6.89	6.89
Handlebar Width	173.23	181.1	181.1	181.1	181.1
Recommended Rider Height	60.63 - 66.14	66.14 - 68.9	68.11 - 72.83	72.05 - 75.98	74.8
Stem Length	2.36	2.76	3.15	3.15	3.54

Measurements based on:

- an 483mm AC x 51mm offset fork which is equivalent to an average 100mm 29" suspension fork at 25% sag
- a 29" x 2.2" tire measuring 740mm in diameter
- Standover for all sizes is measured vertically to top of toptube from a position 50mm forward of BB center