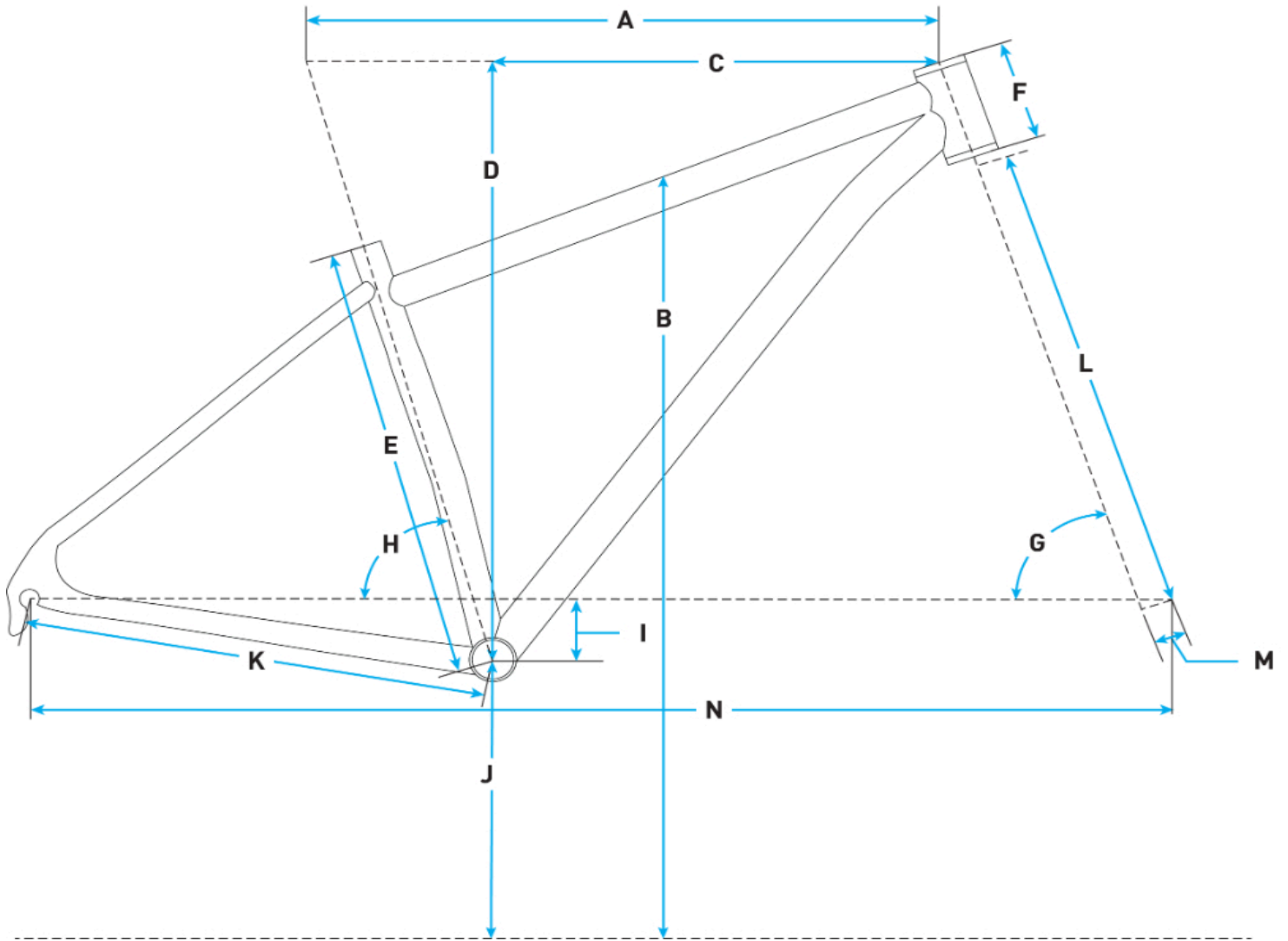


# 2026 Salsa Cutthroat C Frameset - Black - Geometrical Chart



## Metric

Size	52cm	54cm	56cm	58cm	60cm
<b>A. Effective Top Tube</b>	520.0	540.0	560.0	580.0	600.0
<b>B. Stand Over</b>	700.44	741.72	810.51	851.75	874.22
<b>C. Reach</b>	357.77	372.91	385.28	395.13	406.36
<b>D. Stack</b>	584.98	592.45	619.53	644.73	664.34
<b>E. Total Seat Tube Length</b>	355.6	419.1	508.0	558.8	584.2
<b>F. Headtube Length</b>	90.0	98.0	127.0	154.0	175.0
<b>G. Headtube Angle</b>	69.0	69.0	69.0	69.0	69.0
<b>H. Seat Tube Angle</b>	74.5	74.25	74.25	74.0	73.75
<b>I. BB Drop</b>	70.0	70.0	70.0	70.0	70.0
<b>K. Chainstay Length</b>	445.0	445.0	445.0	445.0	445.0
<b>L. Fork Length Axle to Crown</b>	483.0	483.0	483.0	483.0	483.0
<b>M. Fork Offset</b>	51.0	51.0	51.0	51.0	51.0
<b>N. Wheelbase</b>	1049.54	1067.55	1090.31	1109.83	1128.6

<b>Crank Arm Length</b>	170.0	170.0	175.0	175.0	175.0
<b>Handlebar Width</b>	44.0	46.0	46.0	46.0	46.0
<b>Recommended Rider Height</b>	154.0 - 168.0	168.0 - 175.0	173.0 - 185.0	183.0 - 193.0	190.0
<b>Stem Length</b>	60.0	70.0	80.0	80.0	90.0

## Imperial

Size	52cm	54cm	56cm	58cm	60cm
<b>A. Effective Top Tube</b>	20.47	21.26	22.05	22.83	23.62
<b>B. Stand Over</b>	27.58	29.2	31.91	33.53	34.42
<b>C. Reach</b>	14.09	14.68	15.17	15.56	16
<b>D. Stack</b>	23.03	23.32	24.39	25.38	26.16
<b>E. Total Seat Tube Length</b>	14	16.5	20	22	23
<b>F. Headtube Length</b>	3.54	3.86	5	6.06	6.89
<b>G. Headtube Angle</b>	69.0	69.0	69.0	69.0	69.0
<b>H. Seat Tube Angle</b>	74.5	74.25	74.25	74.0	73.75
<b>I. BB Drop</b>	2.76	2.76	2.76	2.76	2.76
<b>K. Chainstay Length</b>	17.52	17.52	17.52	17.52	17.52
<b>L. Fork Length Axle to Crown</b>	19.02	19.02	19.02	19.02	19.02
<b>M. Fork Offset</b>	2.01	2.01	2.01	2.01	2.01
<b>N. Wheelbase</b>	41.32	42.03	42.93	43.69	44.43
<b>Crank Arm Length</b>	6.69	6.69	6.89	6.89	6.89
<b>Handlebar Width</b>	173.23	181.1	181.1	181.1	181.1
<b>Recommended Rider Height</b>	60.63 - 66.14	66.14 - 68.9	68.11 - 72.83	72.05 - 75.98	74.8
<b>Stem Length</b>	2.36	2.76	3.15	3.15	3.54

## Measurements based on:

- an 483mm AC x 51mm offset fork which is equivalent to an average 100mm 29" suspension fork at 25% sag
- a 29" x 2.2" tire measuring 740mm in diameter
- Standover for all sizes is measured vertically to top of toptube from a position 50mm forward of BB center