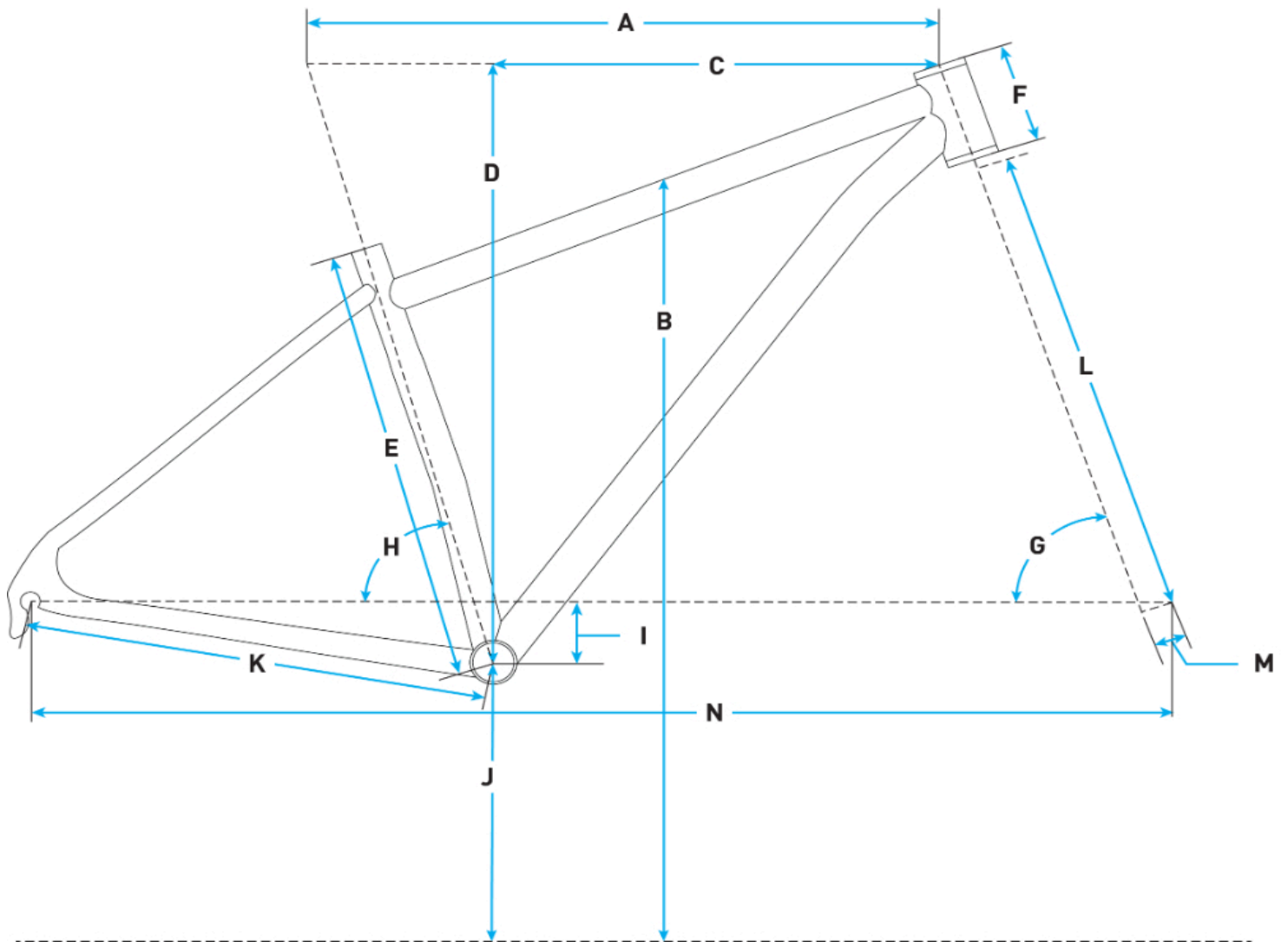


# 2026 Salsa Cutthroat C Frameset - Deep Orchid - Geometrical Chart



## Metric

Size	52cm	54cm	56cm	58cm	60cm
<b>A. Effective Top Tube</b>	520.0	540.0	560.0	580.0	600.0
<b>B. Stand Over</b>	700.0	742.0	811.0	852.0	874.0
<b>C. Reach</b>	357.0	372.0	385.0	394.0	406.0
<b>D. Stack</b>	585.0	592.0	620.0	645.0	664.0
<b>E. Total Seat Tube Length</b>	356.0	419.0	508.0	559.0	584.0
<b>F. Headtube Length</b>	90.0	98.0	127.0	154.0	175.0
<b>G. Headtube Angle</b>	69.0	69.0	69.0	69.0	69.0
<b>H. Seat Tube Angle</b>	74.5	74.25	74.25	74.0	73.75
<b>I. BB Drop</b>	70.0	70.0	70.0	70.0	70.0
<b>J. BB Height</b>	300.0	300.0	300.0	300.0	300.0
<b>K. Chainstay Length</b>	445.0	445.0	445.0	445.0	445.0
<b>L. Fork Length Axle to Crown</b>	483.0	483.0	483.0	483.0	483.0
<b>M. Fork Offset</b>	483.0	483.0	483.0	483.0	483.0

<b>N. Wheelbase</b>	1050.0	1066.0	1091.0	1110.0	1129.0
<b>Crank Arm Length</b>					
<b>Handlebar Width</b>					
<b>Recommended Rider Height</b>	147.0 - 160.0	157.0 - 170.0	168.0 - 180.0	178.0 - 191.0	188.0 - 201.0
<b>Stem Length</b>					

## Imperial

<b>Size</b>	<b>52cm</b>	<b>54cm</b>	<b>56cm</b>	<b>58cm</b>	<b>60cm</b>
<b>A. Effective Top Tube</b>	20.47	21.26	22.05	22.83	23.62
<b>B. Stand Over</b>	27.56	29.21	31.93	33.54	34.41
<b>C. Reach</b>	14.06	14.65	15.16	15.51	15.98
<b>D. Stack</b>	23.03	23.31	24.41	25.39	26.14
<b>E. Total Seat Tube Length</b>	14.02	16.5	20	22.01	22.99
<b>F. Headtube Length</b>	3.54	3.86	5	6.06	6.89
<b>G. Headtube Angle</b>	69.0	69.0	69.0	69.0	69.0
<b>H. Seat Tube Angle</b>	74.5	74.25	74.25	74.0	73.75
<b>I. BB Drop</b>	2.76	2.76	2.76	2.76	2.76
<b>J. BB Height</b>	11.81	11.81	11.81	11.81	11.81
<b>K. Chainstay Length</b>	17.52	17.52	17.52	17.52	17.52
<b>L. Fork Length Axle to Crown</b>	19.02	19.02	19.02	19.02	19.02
<b>M. Fork Offset</b>	19.02	19.02	19.02	19.02	19.02
<b>N. Wheelbase</b>	41.34	41.97	42.95	43.7	44.45
<b>Crank Arm Length</b>					
<b>Handlebar Width</b>					
<b>Recommended Rider Height</b>	57.87 - 62.99	61.81 - 66.93	66.14 - 70.87	70.08 - 75.2	74.02 - 79.13
<b>Stem Length</b>					

## Measurements based on:

- an 483mm AC x 51mm offset fork which is equivalent to an average 100mm 29" suspension fork at 25% sag
- a 29" x 2.2" tire measuring 740mm in diameter
- Standover for all sizes is measured vertically to top of toptube from a position 50mm forward of BB center