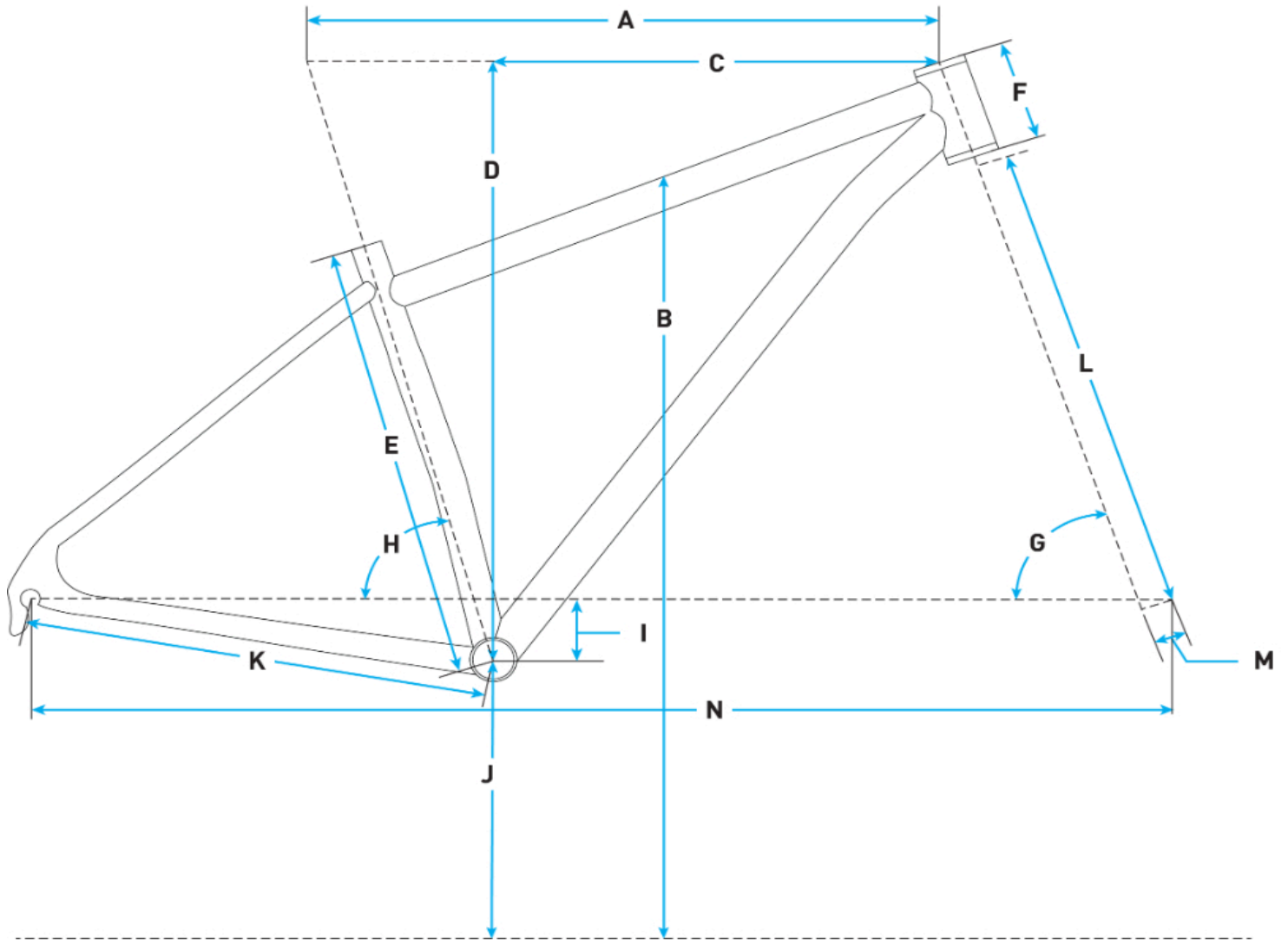


2026 Salsa Cutthroat C GRX 610 1x - Smoke Black - Geometrical Chart



Metric

Size	52cm	54cm	56cm	58cm	60cm
A. Effective Top Tube	520.0	540.0	560.0	580.0	600.0
B. Stand Over	700.0	742.0	811.0	852.0	874.0
C. Reach	357.0	372.0	385.0	394.0	406.0
D. Stack	585.0	592.0	620.0	645.0	664.0
E. Total Seat Tube Length	356.0	419.0	508.0	559.0	584.0
F. Headtube Length	90.0	98.0	127.0	154.0	175.0
G. Headtube Angle	69.0	69.0	69.0	69.0	69.0
H. Seat Tube Angle	74.5	74.25	74.25	74.0	73.75
I. BB Drop	70.0	70.0	70.0	70.0	70.0
J. BB Height	300.0	300.0	300.0	300.0	300.0
K. Chainstay Length	445.0	445.0	445.0	445.0	445.0
L. Fork Length Axle to Crown	483.0	483.0	483.0	483.0	483.0
M. Fork Offset	483.0	483.0	483.0	483.0	483.0

N. Wheelbase	1050.0	1066.0	1091.0	1110.0	1129.0
Crank Arm Length	165.0	165.0	170.0	170.0	175.0
Handlebar Width	440.0	460.0	480.0	500.0	520.0
Recommended Rider Height	147.0 - 160.0	157.0 - 170.0	168.0 - 180.0	178.0 - 191.0	188.0 - 201.0
Stem Length	60.0	70.0	80.0	80.0	90.0

Imperial

Size	52cm	54cm	56cm	58cm	60cm
A. Effective Top Tube	20.47	21.26	22.05	22.83	23.62
B. Stand Over	27.56	29.21	31.93	33.54	34.41
C. Reach	14.06	14.65	15.16	15.51	15.98
D. Stack	23.03	23.31	24.41	25.39	26.14
E. Total Seat Tube Length	14.02	16.5	20	22.01	22.99
F. Headtube Length	3.54	3.86	5	6.06	6.89
G. Headtube Angle	69.0	69.0	69.0	69.0	69.0
H. Seat Tube Angle	74.5	74.25	74.25	74.0	73.75
I. BB Drop	2.76	2.76	2.76	2.76	2.76
J. BB Height	11.81	11.81	11.81	11.81	11.81
K. Chainstay Length	17.52	17.52	17.52	17.52	17.52
L. Fork Length Axle to Crown	19.02	19.02	19.02	19.02	19.02
M. Fork Offset	19.02	19.02	19.02	19.02	19.02
N. Wheelbase	41.34	41.97	42.95	43.7	44.45
Crank Arm Length	6.5	6.5	6.69	6.69	6.89
Handlebar Width	440.0	460.0	480.0	500.0	520.0
Recommended Rider Height	57.87 - 62.99	61.81 - 66.93	66.14 - 70.87	70.08 - 75.2	74.02 - 79.13
Stem Length	2.36	2.76	3.15	3.15	3.54

Measurements based on:

- an 483mm AC x 51mm offset fork which is equivalent to an average 100mm 29" suspension fork at 25% sag
- a 29" x 2.2" tire measuring 740mm in diameter
- Standover for all sizes is measured vertically to top of toptube from a position 50mm forward of BB center