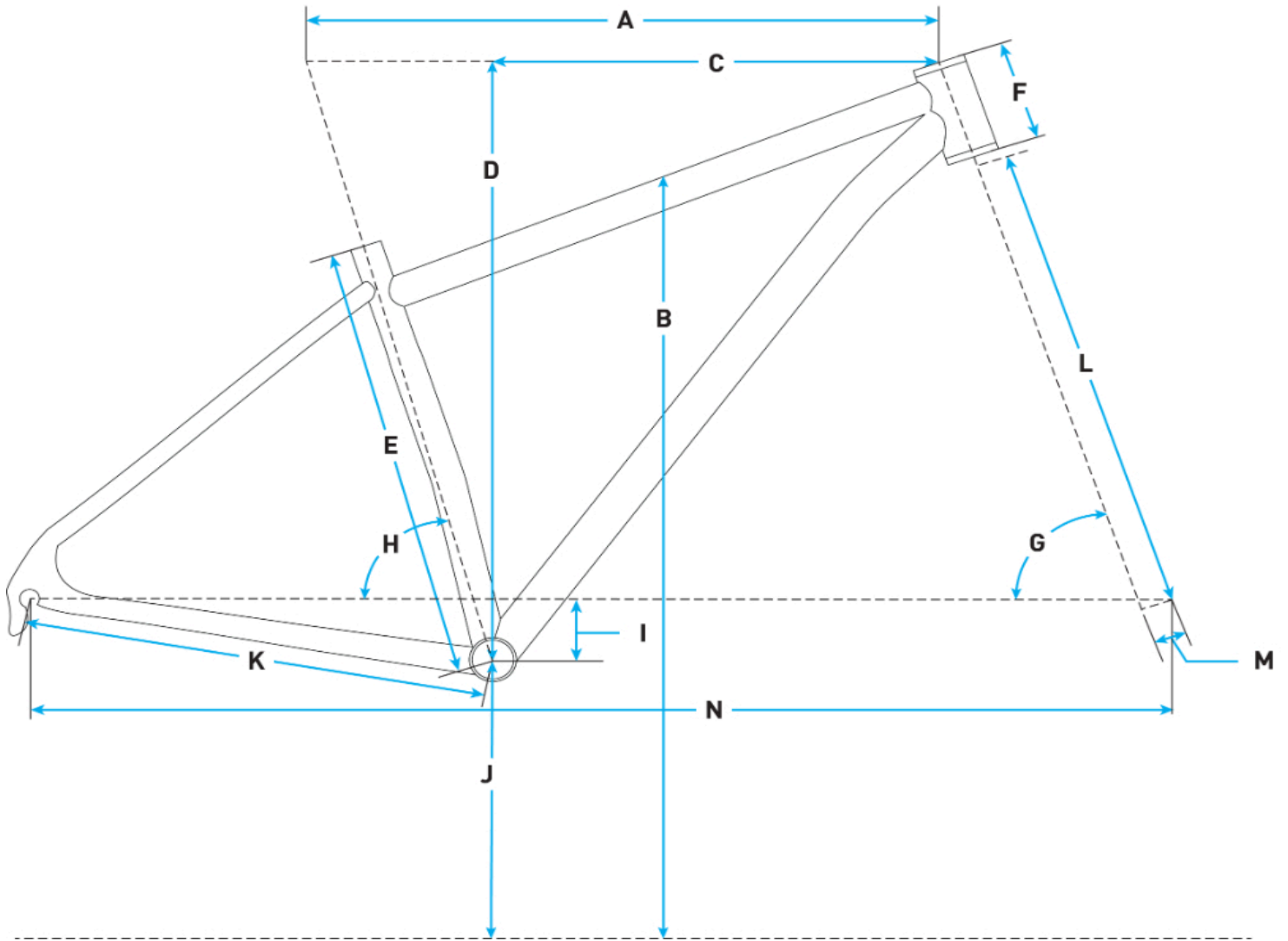


# 2026 Salsa Fargo GRX 610 1x - Brass - Geometrical Chart



## Metric

Size	X-Small	Small	Medium	Large	X-Large
<b>A. Effective Top Tube</b>	520.0	540.0	565.0	590.0	620.0
<b>B. Stand Over</b>	690.0	732.0	778.0	821.0	859.0
<b>C. Reach</b>	350.0	364.0	368.0	385.0	409.0
<b>D. Stack</b>	594.0	615.0	643.0	671.0	690.0
<b>E. Total Seat Tube Length</b>	355.6	406.4	457.2	508.0	558.8
<b>F. Headtube Length</b>	90.0	110.0	140.0	170.0	190.0
<b>G. Headtube Angle</b>	68.5	69.0	69.0	69.0	69.0
<b>H. Seat Tube Angle</b>	74.0	74.0	73.0	73.0	73.0
<b>I. BB Drop</b>	70.0	70.0	70.0	70.0	70.0
<b>J. BB Height</b>	303.0	303.0	303.0	303.0	303.0
<b>K. Chainstay Length</b>	445.0- 462.0	445.0- 462.0	445.0- 462.0	445.0- 462.0	445.0- 462.0
<b>L. Fork Length Axle to Crown</b>	480.0	480.0	480.0	480.0	480.0
<b>M. Fork Offset</b>	51.0	51.0	51.0	51.0	51.0

<b>N. Wheelbase</b>	1050.0- 1067.0	1067.0- 1084.0	1083.0- 1100.0	1110.0- 1127.0	1141.0- 1158.0
<b>Crank Arm Length</b>	170.0	170.0	170.0	175.0	175.0
<b>Handlebar Width</b>	44.0	46.0	48.0	50.0	52.0
<b>Recommended Rider Height</b>	150.0 - 160.0	160.0 - 175.0	173.0 - 183.0	180.0 - 191.0	188.0
<b>Stem Length</b>	60.0	70.0	70.0	80.0	80.0

## Imperial

<b>Size</b>	<b>X-Small</b>	<b>Small</b>	<b>Medium</b>	<b>Large</b>	<b>X-Large</b>
<b>A. Effective Top Tube</b>	20.47	21.26	22.24	23.23	24.41
<b>B. Stand Over</b>	27.17	28.82	30.63	32.32	33.82
<b>C. Reach</b>	13.78	14.33	14.49	15.16	16.1
<b>D. Stack</b>	23.39	24.21	25.31	26.42	27.17
<b>E. Total Seat Tube Length</b>	14	16	18	20	22
<b>F. Headtube Length</b>	3.54	4.33	5.51	6.69	7.48
<b>G. Headtube Angle</b>	68.5	69.0	69.0	69.0	69.0
<b>H. Seat Tube Angle</b>	74.0	74.0	73.0	73.0	73.0
<b>I. BB Drop</b>	2.76	2.76	2.76	2.76	2.76
<b>J. BB Height</b>	11.93	11.93	11.93	11.93	11.93
<b>K. Chainstay Length</b>	17.52- 18.19	17.52- 18.19	17.52- 18.19	17.52- 18.19	17.52- 18.19
<b>L. Fork Length Axle to Crown</b>	18.9	18.9	18.9	18.9	18.9
<b>M. Fork Offset</b>	2.01	2.01	2.01	2.01	2.01
<b>N. Wheelbase</b>	41.34- 42.01	42.01- 42.68	42.64- 43.31	43.7- 44.37	44.92- 45.59
<b>Crank Arm Length</b>	6.69	6.69	6.69	6.89	6.89
<b>Handlebar Width</b>	173.23	181.1	188.98	196.85	204.72
<b>Recommended Rider Height</b>	59.06 - 62.99	62.99 - 68.9	68.11 - 72.05	70.87 - 75.2	74.02
<b>Stem Length</b>	2.36	2.76	2.76	3.15	3.15

## Measurements based on:

- A Salsa Cutthroat Carbon Deluxe 480mm A-to-C x 51 mm offset fork which is equivalent to an average 100mm fork at 20% sag
- A 29 x 2.25" tire measuring 746mm in diameter
- Standover (P) measured vertically to top of toptube from a position 50mm forward of BB center