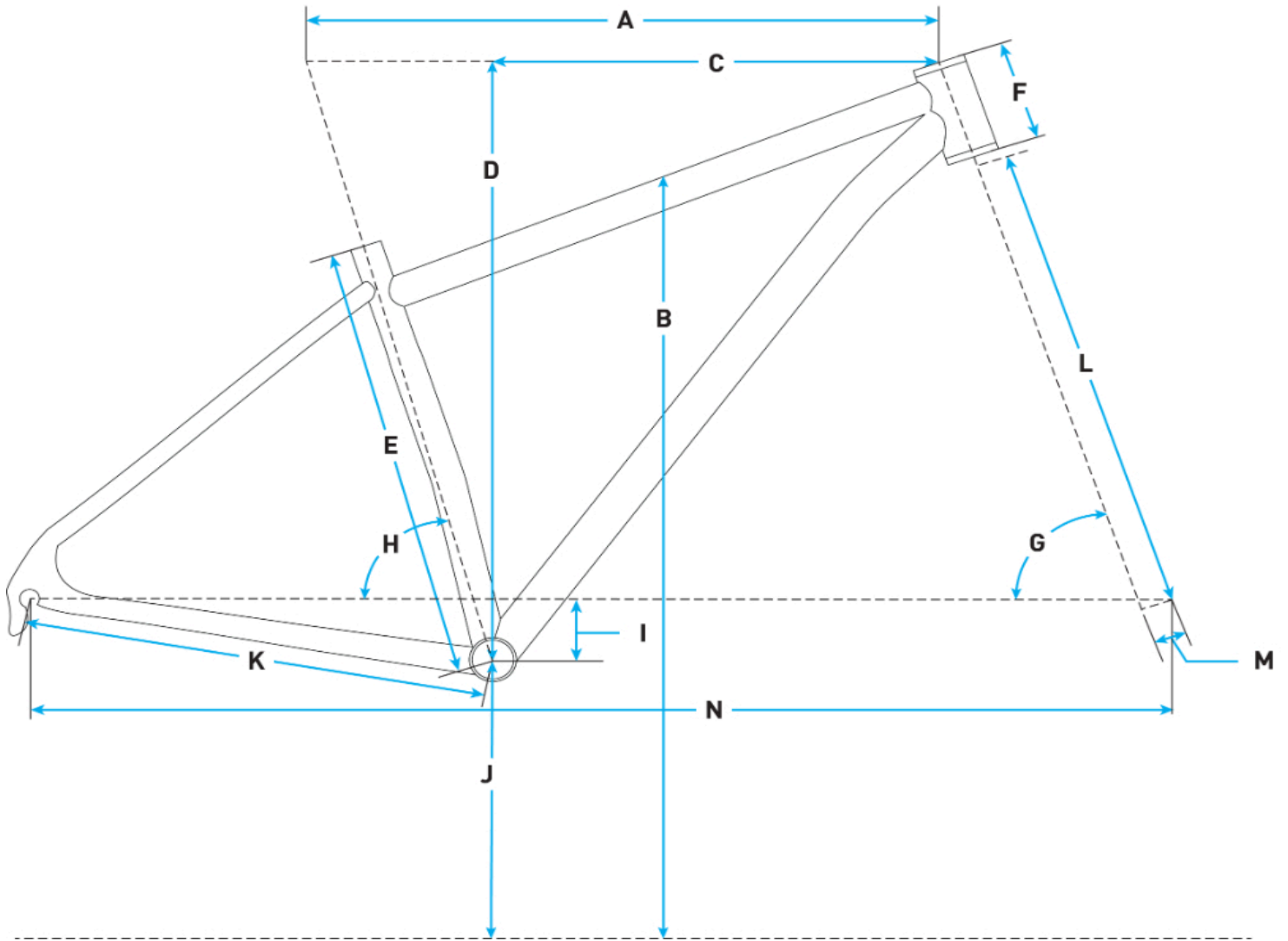


2026 Salsa Fargo Steel Frameset - Black - Geometrical Chart



Metric

Size	X-Small	Small	Medium	Large	X-Large
A. Effective Top Tube	520.0	540.0	565.0	590.0	620.0
B. Stand Over	690.0	732.0	778.0	821.0	859.0
C. Reach	350.0	364.0	368.0	385.0	409.0
D. Stack	594.0	615.0	643.0	671.0	690.0
E. Total Seat Tube Length	355.6	406.4	457.2	508.0	558.8
F. Headtube Length	90.0	110.0	140.0	170.0	190.0
G. Headtube Angle	68.5	69.0	69.0	69.0	69.0
H. Seat Tube Angle	74.0	74.0	73.0	73.0	73.0
I. BB Drop	70.0	70.0	70.0	70.0	70.0
K. Chainstay Length	445.0- 462.0	445.0- 462.0	445.0- 462.0	445.0- 462.0	445.0- 462.0
L. Fork Length Axle to Crown	480.0	480.0	480.0	480.0	480.0
M. Fork Offset	51.0	51.0	51.0	51.0	51.0
N. Wheelbase	1050.0- 1067.0	1067.0- 1084.0	1083.0- 1100.0	1110.0- 1127.0	1141.0- 1158.0

Crank Arm Length					
Handlebar Width					
Recommended Rider Height	150.0 - 160.0	160.0 - 175.0	173.0 - 183.0	180.0 - 191.0	188.0
Stem Length					

Imperial

Size	X-Small	Small	Medium	Large	X-Large
A. Effective Top Tube	20.47	21.26	22.24	23.23	24.41
B. Stand Over	27.17	28.82	30.63	32.32	33.82
C. Reach	13.78	14.33	14.49	15.16	16.1
D. Stack	23.39	24.21	25.31	26.42	27.17
E. Total Seat Tube Length	14	16	18	20	22
F. Headtube Length	3.54	4.33	5.51	6.69	7.48
G. Headtube Angle	68.5	69.0	69.0	69.0	69.0
H. Seat Tube Angle	74.0	74.0	73.0	73.0	73.0
I. BB Drop	2.76	2.76	2.76	2.76	2.76
K. Chainstay Length	17.52- 18.19	17.52- 18.19	17.52- 18.19	17.52- 18.19	17.52- 18.19
L. Fork Length Axle to Crown	18.9	18.9	18.9	18.9	18.9
M. Fork Offset	2.01	2.01	2.01	2.01	2.01
N. Wheelbase	41.34- 42.01	42.01- 42.68	42.64- 43.31	43.7- 44.37	44.92- 45.59
Crank Arm Length					
Handlebar Width					
Recommended Rider Height	59.06 - 62.99	62.99 - 68.9	68.11 - 72.05	70.87 - 75.2	74.02
Stem Length					

Measurements based on:

- A Salsa Cutthroat Carbon Deluxe 480mm A-to-C x 51 mm offset fork which is equivalent to an average 100mm fork at 20% sag
- Measurements listed are based on a 29 x 2.4" tire measuring 746 mm in diameter.
- Standover (P) for all sizes is measured vertically to top of toptube from a position 50mm forward of BB center.