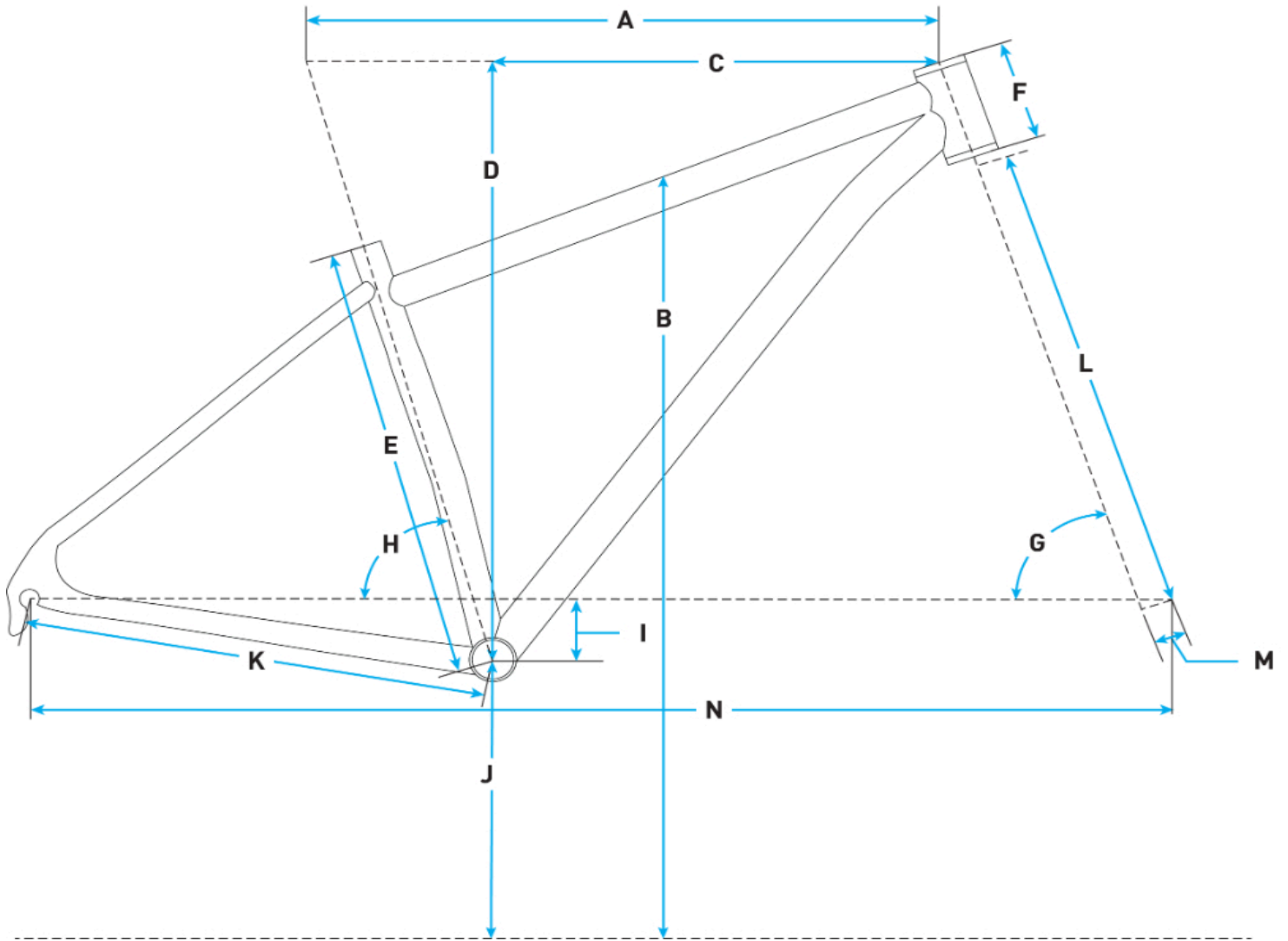


# 2026 Salsa Fargo Steel Frameset - Peat Moss - Geometrical Chart



## Metric

Size	X-Small	Small	Medium	Large	X-Large
<b>A. Effective Top Tube</b>	520.0	540.0	565.0	590.0	620.0
<b>B. Stand Over</b>	690.0	732.0	778.0	821.0	859.0
<b>C. Reach</b>	352.0	366.0	371.0	388.0	412.0
<b>D. Stack</b>	584.0	605.0	633.0	661.0	680.0
<b>E. Total Seat Tube Length</b>	355.6	406.4	457.2	508.0	558.8
<b>F. Headtube Length</b>	90.0	110.0	140.0	170.0	190.0
<b>G. Headtube Angle</b>	68.5	69.0	69.0	69.0	69.0
<b>H. Seat Tube Angle</b>	74.0	74.0	73.0	73.0	73.0
<b>I. BB Drop</b>	70.0	70.0	70.0	70.0	70.0
<b>J. BB Height</b>	303.0	303.0	303.0	303.0	303.0
<b>K. Chainstay Length</b>	462.0	462.0	462.0	462.0	462.0
<b>L. Fork Length Axle to Crown</b>	483.0	483.0	483.0	483.0	483.0
<b>M. Fork Offset</b>	51.0	51.0	51.0	51.0	51.0

<b>N. Wheelbase</b>	1067.0	1083.0	1099.0	1126.0	1158.0
<b>Crank Arm Length</b>					
<b>Handlebar Width</b>					
<b>Recommended Rider Height</b>	147.0 - 160.0	157.0 - 170.0	168.0 - 180.0	178.0 - 191.0	188.0 - 201.0
<b>Stem Length</b>					

## Imperial

<b>Size</b>	<b>X-Small</b>	<b>Small</b>	<b>Medium</b>	<b>Large</b>	<b>X-Large</b>
<b>A. Effective Top Tube</b>	20.47	21.26	22.24	23.23	24.41
<b>B. Stand Over</b>	27.17	28.82	30.63	32.32	33.82
<b>C. Reach</b>	13.86	14.41	14.61	15.28	16.22
<b>D. Stack</b>	22.99	23.82	24.92	26.02	26.77
<b>E. Total Seat Tube Length</b>	14	16	18	20	22
<b>F. Headtube Length</b>	3.54	4.33	5.51	6.69	7.48
<b>G. Headtube Angle</b>	68.5	69.0	69.0	69.0	69.0
<b>H. Seat Tube Angle</b>	74.0	74.0	73.0	73.0	73.0
<b>I. BB Drop</b>	2.76	2.76	2.76	2.76	2.76
<b>J. BB Height</b>	11.93	11.93	11.93	11.93	11.93
<b>K. Chainstay Length</b>	18.19	18.19	18.19	18.19	18.19
<b>L. Fork Length Axle to Crown</b>	19.02	19.02	19.02	19.02	19.02
<b>M. Fork Offset</b>	2.01	2.01	2.01	2.01	2.01
<b>N. Wheelbase</b>	42.01	42.64	43.27	44.33	45.59
<b>Crank Arm Length</b>					
<b>Handlebar Width</b>					
<b>Recommended Rider Height</b>	57.87 - 62.99	61.81 - 66.93	66.14 - 70.87	70.08 - 75.2	74.02 - 79.13
<b>Stem Length</b>					

## Measurements based on:

- A Salsa Cutthroat Carbon Deluxe 483 x 51 mm offset fork
- A 29 x 2.4" tire measuring 746mm in diameter
- Standover (P) measured vertically to top of toptube from a position 50mm forward of BB center