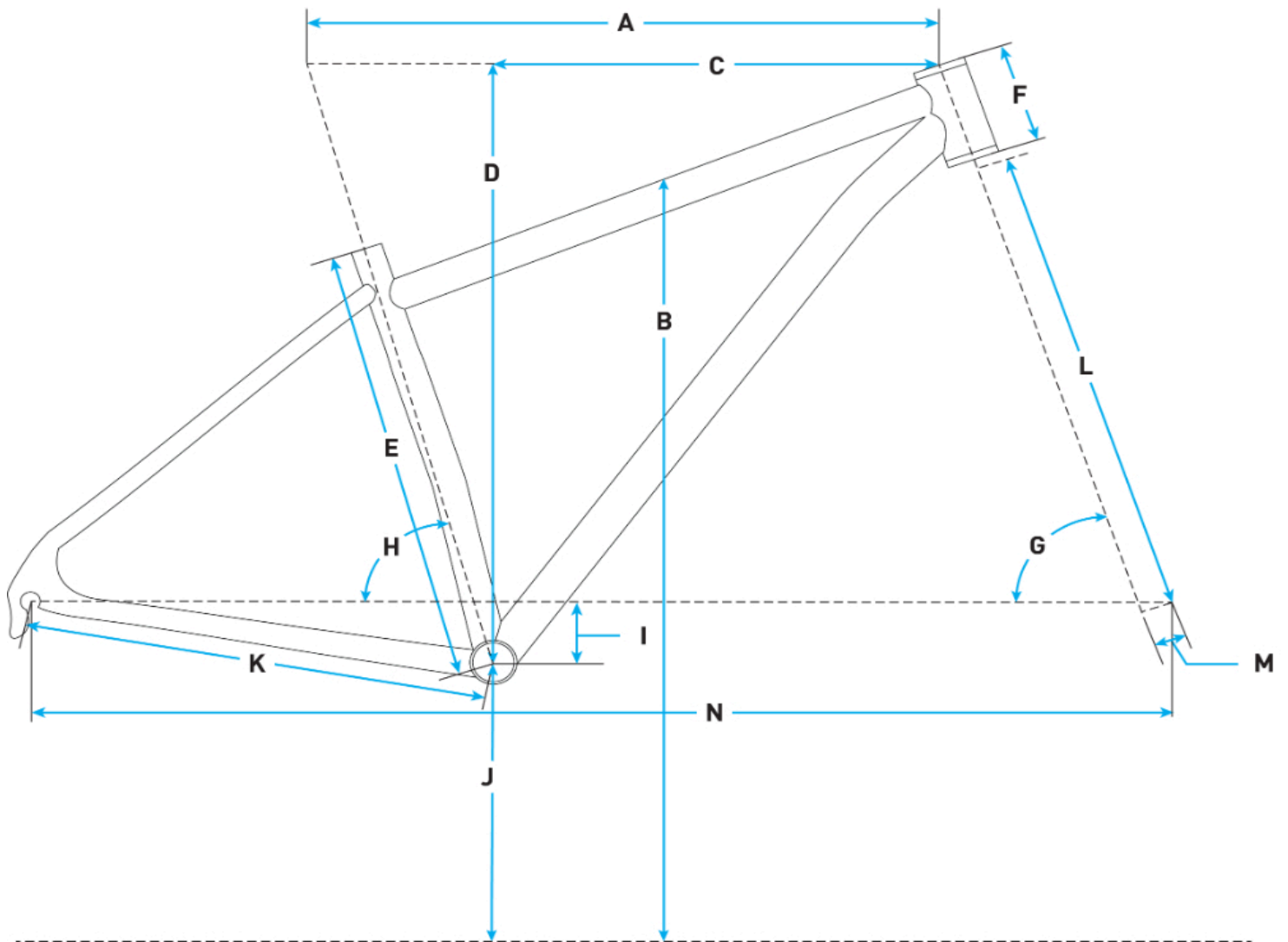


2026 Salsa Fargo Ti Frameset - Titanium - Geometrical Chart



Metric

Size	X-Small	Small	Medium	Large	X-Large
A. Effective Top Tube	520.0	540.0	565.0	590.0	620.0
B. Stand Over	690.0	732.0	778.0	821.0	859.0
C. Reach	352.0	366.0	371.0	388.0	412.0
D. Stack	584.0	605.0	633.0	661.0	680.0
E. Total Seat Tube Length	355.6	406.4	457.2	508.0	558.8
F. Headtube Length	90.0	110.0	140.0	170.0	190.0
G. Headtube Angle	68.5	69.0	69.0	69.0	69.0
H. Seat Tube Angle	74.0	74.0	73.0	73.0	73.0
I. BB Drop	70.0	70.0	70.0	70.0	70.0
J. BB Height	303.0	303.0	303.0	303.0	303.0
K. Chainstay Length	462.0	462.0	462.0	462.0	462.0
L. Fork Length Axle to Crown	483.0	483.0	483.0	483.0	483.0
M. Fork Offset	51.0	51.0	51.0	51.0	51.0

N. Wheelbase	1067.0	1083.0	1099.0	1126.0	1158.0
Crank Arm Length					
Handlebar Width					
Recommended Rider Height	147.0 - 160.0	157.0 - 170.0	168.0 - 180.0	178.0 - 191.0	188.0 - 201.0
Stem Length					

Imperial

Size	X-Small	Small	Medium	Large	X-Large
A. Effective Top Tube	20.47	21.26	22.24	23.23	24.41
B. Stand Over	27.17	28.82	30.63	32.32	33.82
C. Reach	13.86	14.41	14.61	15.28	16.22
D. Stack	22.99	23.82	24.92	26.02	26.77
E. Total Seat Tube Length	14	16	18	20	22
F. Headtube Length	3.54	4.33	5.51	6.69	7.48
G. Headtube Angle	68.5	69.0	69.0	69.0	69.0
H. Seat Tube Angle	74.0	74.0	73.0	73.0	73.0
I. BB Drop	2.76	2.76	2.76	2.76	2.76
J. BB Height	11.93	11.93	11.93	11.93	11.93
K. Chainstay Length	18.19	18.19	18.19	18.19	18.19
L. Fork Length Axle to Crown	19.02	19.02	19.02	19.02	19.02
M. Fork Offset	2.01	2.01	2.01	2.01	2.01
N. Wheelbase	42.01	42.64	43.27	44.33	45.59
Crank Arm Length					
Handlebar Width					
Recommended Rider Height	57.87 - 62.99	61.81 - 66.93	66.14 - 70.87	70.08 - 75.2	74.02 - 79.13
Stem Length					

Measurements based on:

- A Salsa Cutthroat Carbon Deluxe 483mm A-to-C x 51 mm offset fork
- Measurements listed are based on a 29 x 2.4" tire measuring 746mm in diameter
- Standover (P) for all sizes is measured vertically to top of toptube from a position 50mm forward of BB center