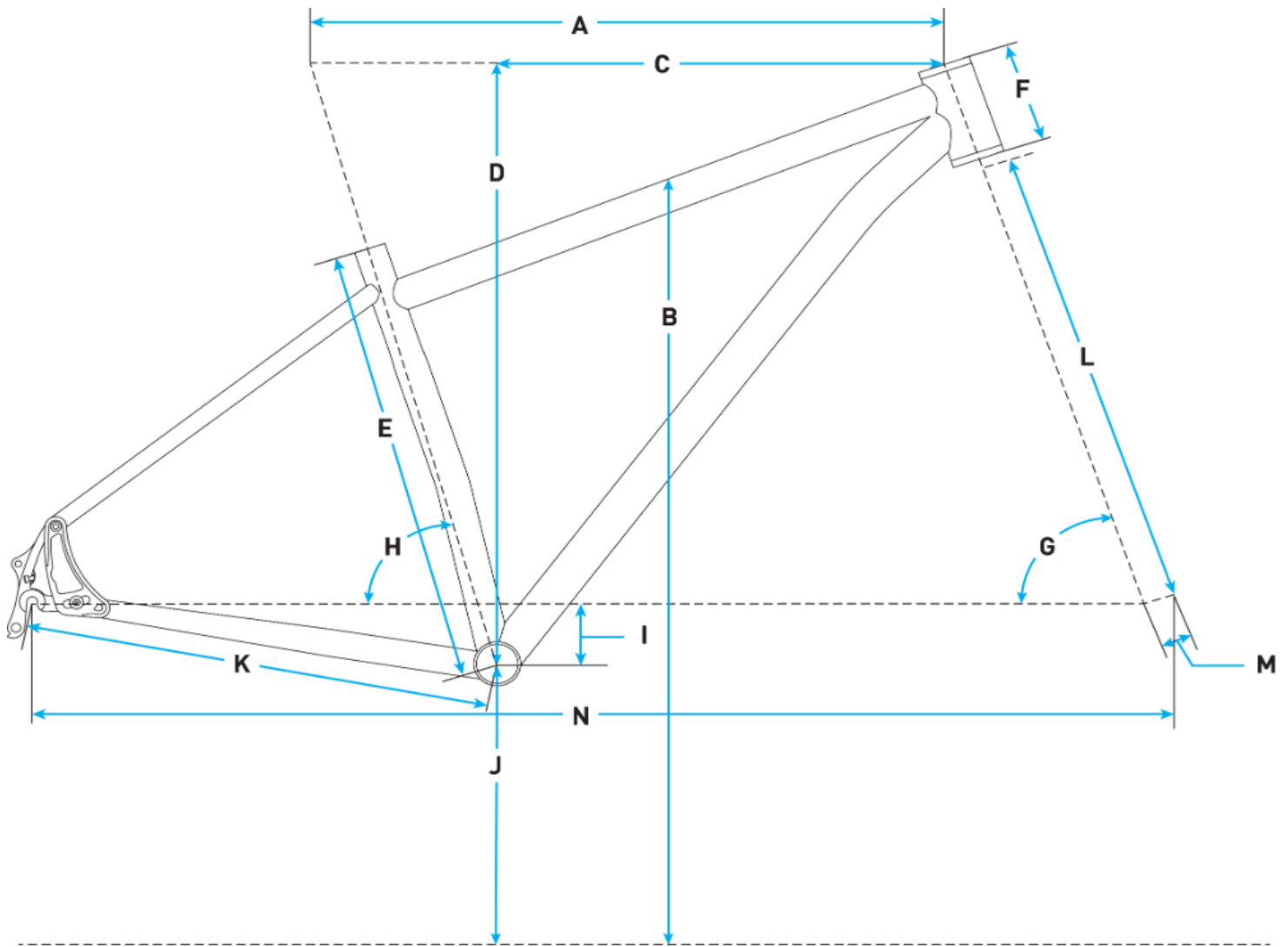


2026 Salsa Heyday! C Frameset - Black - Geometrical Chart



Metric

Size	X-Small	Small	Medium	Large	X-Large
A. Effective Top Tube	573.0	594.0	615.0	636.0	657.0
B. Stand Over	656.5	678.0	722.8	765.3	799.8
C. Reach	391.8	409.9	428.1	446.2	464.4
D. Stack	592.7	602.1	611.4	620.7	630.1
E. Total Seat Tube Length	406.0	406.0	457.0	508.0	558.0
F. Headtube Length	103.0	113.0	123.0	133.0	143.0
G. Headtube Angle	69.0	69.0	69.0	69.0	69.0
H. Seat Tube Angle	73.0	73.0	73.0	73.0	73.0
I. BB Drop	63.0	63.0	63.0	63.0	63.0
K. Chainstay Length	432.0- 449.0	432.0- 449.0	432.0- 449.0	432.0- 449.0	432.0- 449.0
L. Fork Length Axle to Crown	483.0	483.0	483.0	483.0	483.0
M. Fork Offset	51.0	51.0	51.0	51.0	51.0
N. Wheelbase	1077.1	1098.9	1120.6	1142.3	1164.1

Crank Arm Length					
Handlebar Width					
Recommended Rider Height	157.0 - 168.0	165.0 - 175.0	173.0 - 183.0	180.0 - 191.0	188.0
Stem Length					

Imperial

Size	X-Small	Small	Medium	Large	X-Large
A. Effective Top Tube	22.56	23.39	24.21	25.04	25.87
B. Stand Over	25.85	26.69	28.46	30.13	31.49
C. Reach	15.43	16.14	16.85	17.57	18.28
D. Stack	23.33	23.7	24.07	24.44	24.81
E. Total Seat Tube Length	15.98	15.98	17.99	20	21.97
F. Headtube Length	4.06	4.45	4.84	5.24	5.63
G. Headtube Angle	69.0	69.0	69.0	69.0	69.0
H. Seat Tube Angle	73.0	73.0	73.0	73.0	73.0
I. BB Drop	2.48	2.48	2.48	2.48	2.48
K. Chainstay Length	17.01- 17.68	17.01- 17.68	17.01- 17.68	17.01- 17.68	17.01- 17.68
L. Fork Length Axle to Crown	19.02	19.02	19.02	19.02	19.02
M. Fork Offset	2.01	2.01	2.01	2.01	2.01
N. Wheelbase	42.41	43.26	44.12	44.97	45.83
Crank Arm Length					
Handlebar Width					
Recommended Rider Height	61.81 - 66.14	64.96 - 68.9	68.11 - 72.05	70.87 - 75.2	74.02
Stem Length					

Measurements based on:

- A Salsa Kingpin fork which is equivalent to a 100mm RockShox Bluto fork at 25% sag
- A 26 x 4.8" tire measuring 759mm in diameter
- Standover is measured from ground to top of toptube at forward portion of the kink