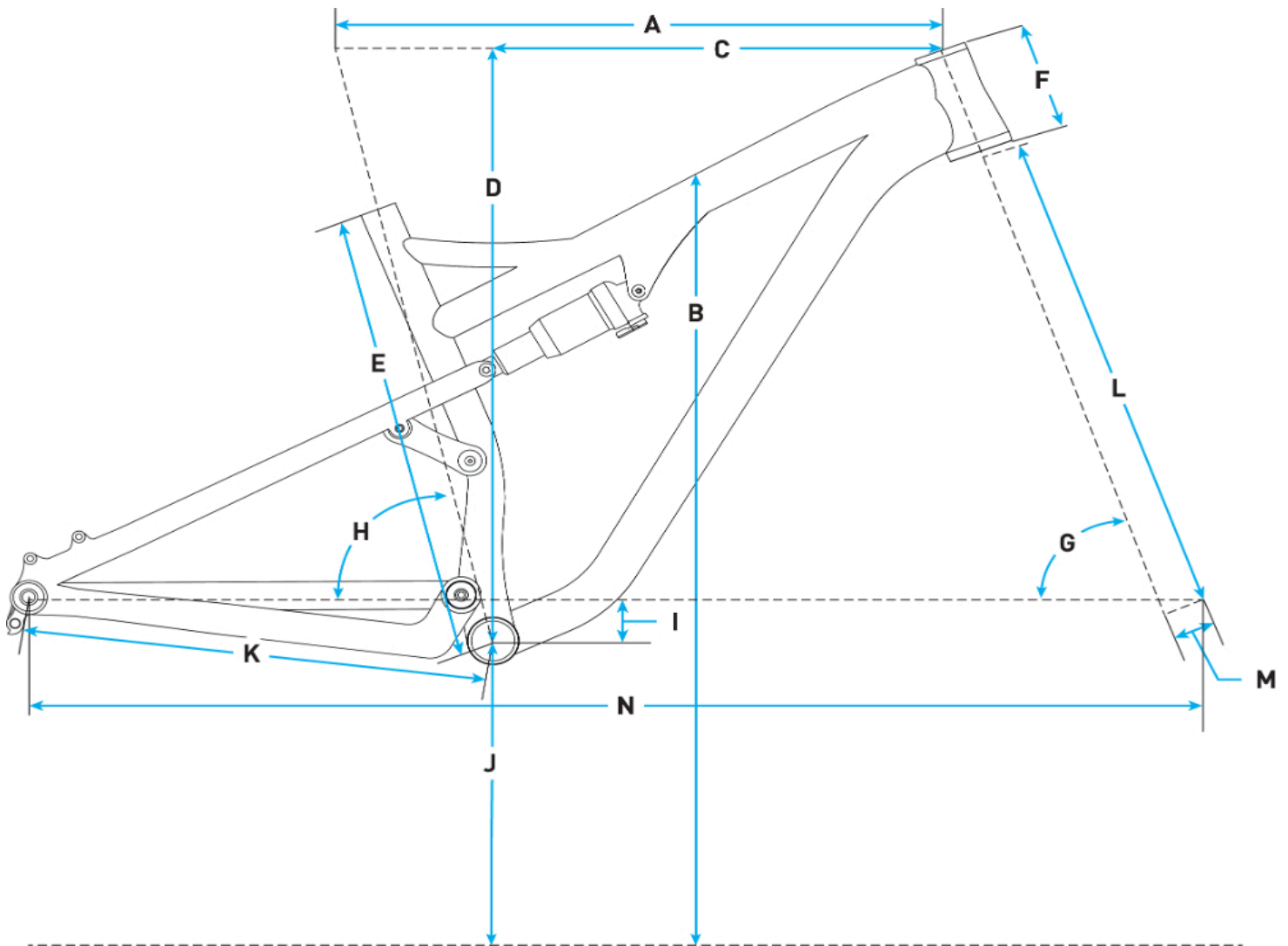


2026 Salsa Horsethief C Frame - Charcoal And Raw Carbon - Geometrical Chart



Metric

Size	Small	Medium	Large	X-Large
A. Effective Top Tube	595.0- 594.0	616.0- 615.0	638.0- 637.0	660.0- 659.0
B. Stand Over	747.0- 750.0	751.0- 754.0	762.0- 765.0	773.0- 776.0
C. Reach	417.0- 420.0	436.0- 439.0	455.0- 458.0	474.0- 477.0
D. Stack	612.0- 610.0	621.0- 619.0	630.0- 628.0	639.0- 637.0
E. Total Seat Tube Length	419.0	444.0	483.0	520.0
F. Headtube Length	103.0	113.0	123.0	133.0
G. Headtube Angle	67.3	67.3	67.3	67.3
	67.5	67.5	67.5	67.5
H. Seat Tube Angle	73.9	73.9	73.9	73.9
	74.1	74.1	74.1	74.1

I. BB Drop	33.0- 30.0	33.0- 30.0	33.0- 30.0	33.0- 30.0
K. Chainstay Length	432.0- 431.0	432.0- 431.0	432.0- 431.0	432.0- 431.0
L. Fork Length Axle to Crown	541.0	541.0	541.0	541.0
M. Fork Offset	42.0	42.0	42.0	42.0
N. Wheelbase	1135.0	1158.0	1181.0	1204.0
Crank Arm Length	170.0	170.0	175.0	175.0
Handlebar Width	760.0	800.0	800.0	800.0
Recommended Rider Height	165.0 - 173.0	173.0 - 180.0	180.0 - 188.0	188.0
Stem Length	50.0	50.0	50.0	50.0

Imperial

Size	Small	Medium	Large	X-Large
A. Effective Top Tube	23.43- 23.39	24.25- 24.21	25.12- 25.08	25.98- 25.94
B. Stand Over	29.41- 29.53	29.57- 29.69	30- 30.12	30.43- 30.55
C. Reach	16.42- 16.54	17.17- 17.28	17.91- 18.03	18.66- 18.78
D. Stack	24.09- 24.02	24.45- 24.37	24.8- 24.72	25.16- 25.08
E. Total Seat Tube Length	16.5	17.48	19.02	20.47
F. Headtube Length	4.06	4.45	4.84	5.24
G. Headtube Angle	67.3	67.3	67.3	67.3
	- 67.5	- 67.5	- 67.5	- 67.5
H. Seat Tube Angle	73.9	73.9	73.9	73.9
	-	-	-	-
	74.1	74.1	74.1	74.1
I. BB Drop	1.3- 1.18	1.3- 1.18	1.3- 1.18	1.3- 1.18
K. Chainstay Length	17.01- 16.97	17.01- 16.97	17.01- 16.97	17.01- 16.97
L. Fork Length Axle to Crown	21.3	21.3	21.3	21.3
M. Fork Offset	1.65	1.65	1.65	1.65
N. Wheelbase	44.69	45.59	46.5	47.4
Crank Arm Length	6.69	6.69	6.89	6.89
Handlebar Width	760.0	800.0	800.0	800.0
Recommended Rider Height	64.96 - 68.11	68.11 - 70.87	70.87 - 74.02	74.02
Stem Length	1.97	1.97	1.97	1.97

Measurements based on:

- an unsprung bike (no sag)
- a 29 x 2.4" tire measuring 745mm in diameter
- Standover is measured from vertically from ground to bend in top tube, subtract 2–8mm (0.1–0.3") for 27.5 x 2.8–3.0" tires
- Measurements shown are for LOW / HIGH Flip Chip settings