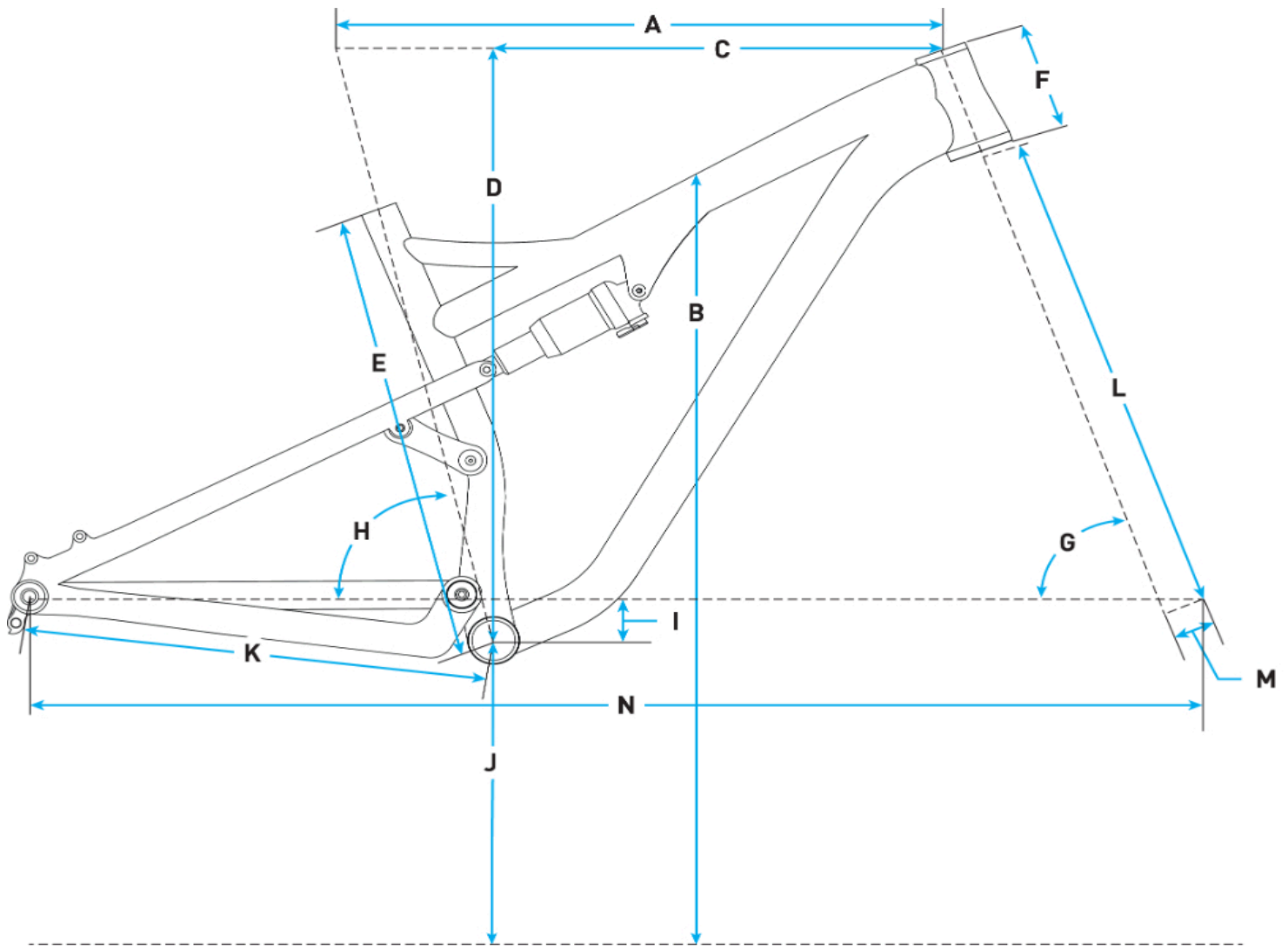


2026 Salsa Horsethief C XT - White - Geometrical Chart



Metric

Size	Small	Medium	Large	X-Large
A. Effective Top Tube	596.0- 595.0	618.0- 617.0	639.0- 639.0	661.0- 660.0
B. Stand Over	750.0- 753.0	748.0- 758.0	759.0- 769.0	769.0- 780.0
C. Reach	413.0- 415.0	432.0- 434.0	451.0- 453.0	470.0- 472.0
D. Stack	613.0- 611.0	622.0- 620.0	632.0- 629.0	641.0- 639.0
E. Total Seat Tube Length	419.0	444.0	483.0	520.0
F. Headtube Length	103.0	113.0	123.0	133.0
G. Headtube Angle	66.8	66.8	66.8	66.8
	-	-	-	-
H. Seat Tube Angle	67.0	67.0	67.0	67.0
	-	-	-	-
I. BB Drop	73.4	73.4	73.4	73.4
	-	-	-	-
K. Chainstay Length	73.6	73.6	73.6	73.6
	-	-	-	-
I. BB Drop	29.0- 26.0	29.0- 26.0	29.0- 26.0	29.0- 26.0
K. Chainstay Length	432.0- 431.0	432.0- 431.0	432.0- 431.0	432.0- 431.0

L. Fork Length Axle to Crown	551.0	551.0	551.0	551.0
M. Fork Offset	44.0	44.0	44.0	44.0
N. Wheelbase	1141.0	1164.0	1187.0	1209.0
Crank Arm Length	165.0	170.0	170.0	175.0
Handlebar Width	800.0	800.0	800.0	800.0
Recommended Rider Height	165.0 - 173.0	173.0 - 180.0	180.0 - 188.0	188.0
Stem Length	50.0	50.0	50.0	50.0

Imperial

Size	Small	Medium	Large	X-Large
A. Effective Top Tube	23.46- 23.43	24.33- 24.29	25.16- 25.16	26.02- 25.98
B. Stand Over	29.53- 29.65	29.45- 29.84	29.88- 30.28	30.28- 30.71
C. Reach	16.26- 16.34	17.01- 17.09	17.76- 17.83	18.5- 18.58
D. Stack	24.13- 24.06	24.49- 24.41	24.88- 24.76	25.24- 25.16
E. Total Seat Tube Length	16.5	17.48	19.02	20.47
F. Headtube Length	4.06	4.45	4.84	5.24
G. Headtube Angle	66.8	66.8	66.8	66.8
	-	-	-	-
H. Seat Tube Angle	67.0	67.0	67.0	67.0
	73.4	73.4	73.4	73.4
	-	-	-	-
I. BB Drop	73.6	73.6	73.6	73.6
	1.14- 1.02	1.14- 1.02	1.14- 1.02	1.14- 1.02
K. Chainstay Length	17.01- 16.97	17.01- 16.97	17.01- 16.97	17.01- 16.97
L. Fork Length Axle to Crown	21.69	21.69	21.69	21.69
M. Fork Offset	1.73	1.73	1.73	1.73
N. Wheelbase	44.92	45.83	46.73	47.6
Crank Arm Length	6.5	6.69	6.69	6.89
Handlebar Width	800.0	800.0	800.0	800.0
Recommended Rider Height	64.96 - 68.11	68.11 - 70.87	70.87 - 74.02	74.02
Stem Length	1.97	1.97	1.97	1.97

Measurements based on:

- an unsprung bike (no sag)
- a 29 x 2.4" tire measuring 745mm in diameter
- Standover is measured from vertically from ground to bend in top tube, subtract 2–8mm (0.1–0.3") for 27.5 x 2.8–3.0" tires
- Measurements shown are for LOW / HIGH Flip Chip settings