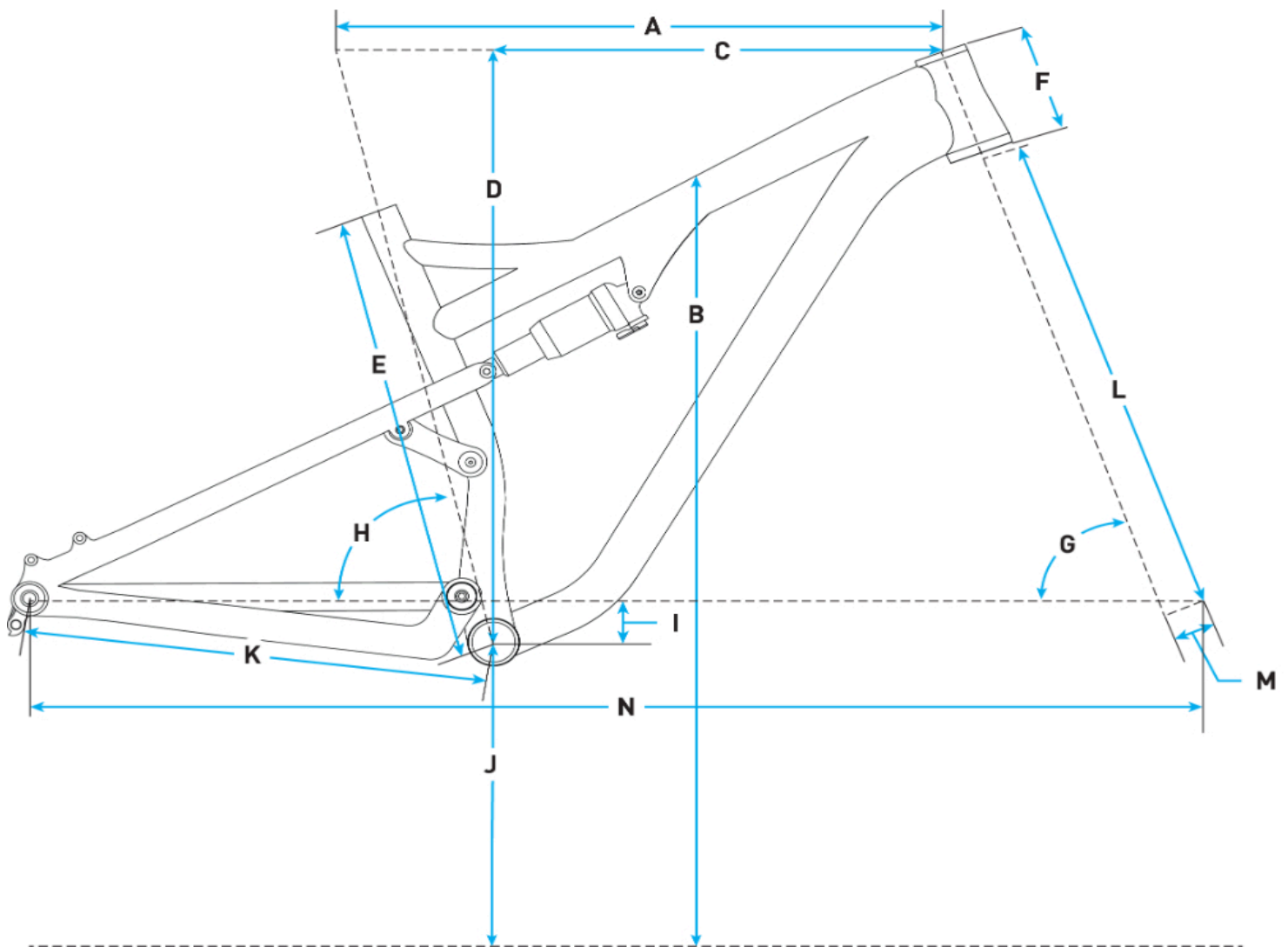


# 2026 Salsa Horsethief Deore - Dark Gray - Geometrical Chart



## Metric

Size	Small	Medium	Large	X-Large
<b>A. Effective Top Tube</b>	596.0- 595.0	618.0- 617.0	639.0- 639.0	661.0- 660.0
<b>B. Stand Over</b>	750.0- 753.0	748.0- 758.0	759.0- 769.0	769.0- 780.0
<b>C. Reach</b>	413.0- 415.0	432.0- 434.0	451.0- 453.0	470.0- 472.0
<b>D. Stack</b>	613.0- 611.0	622.0- 620.0	632.0- 629.0	641.0- 639.0
<b>E. Total Seat Tube Length</b>	419.0	444.0	483.0	520.0
<b>F. Headtube Length</b>	103.0	113.0	123.0	133.0
<b>G. Headtube Angle</b>	66.8	66.8	66.8	66.8
	67.0	67.0	67.0	67.0
<b>H. Seat Tube Angle</b>	73.4	73.4	73.4	73.4
	73.6	73.6	73.6	73.6
<b>I. BB Drop</b>	29.0- 26.0	29.0- 26.0	29.0- 26.0	29.0- 26.0
<b>K. Chainstay Length</b>	432.0- 431.0	432.0- 431.0	432.0- 431.0	432.0- 431.0

<b>L. Fork Length Axle to Crown</b>	551.0	551.0	551.0	551.0
<b>M. Fork Offset</b>	44.0	44.0	44.0	44.0
<b>N. Wheelbase</b>	1141.0	1164.0	1187.0	1209.0
<b>Crank Arm Length</b>	165.0	170.0	170.0	175.0
<b>Handlebar Width</b>	800.0	800.0	800.0	800.0
<b>Recommended Rider Height</b>	165.0 - 173.0	173.0 - 180.0	180.0 - 188.0	188.0
<b>Stem Length</b>	50.0	50.0	50.0	50.0

## Imperial

Size	Small	Medium	Large	X-Large
<b>A. Effective Top Tube</b>	23.46- 23.43	24.33- 24.29	25.16- 25.16	26.02- 25.98
<b>B. Stand Over</b>	29.53- 29.65	29.45- 29.84	29.88- 30.28	30.28- 30.71
<b>C. Reach</b>	16.26- 16.34	17.01- 17.09	17.76- 17.83	18.5- 18.58
<b>D. Stack</b>	24.13- 24.06	24.49- 24.41	24.88- 24.76	25.24- 25.16
<b>E. Total Seat Tube Length</b>	16.5	17.48	19.02	20.47
<b>F. Headtube Length</b>	4.06	4.45	4.84	5.24
<b>G. Headtube Angle</b>	66.8	66.8	66.8	66.8
	-	-	-	-
<b>H. Seat Tube Angle</b>	67.0	67.0	67.0	67.0
	73.4	73.4	73.4	73.4
	-	-	-	-
<b>I. BB Drop</b>	73.6	73.6	73.6	73.6
	1.14- 1.02	1.14- 1.02	1.14- 1.02	1.14- 1.02
<b>K. Chainstay Length</b>	17.01- 16.97	17.01- 16.97	17.01- 16.97	17.01- 16.97
<b>L. Fork Length Axle to Crown</b>	21.69	21.69	21.69	21.69
<b>M. Fork Offset</b>	1.73	1.73	1.73	1.73
<b>N. Wheelbase</b>	44.92	45.83	46.73	47.6
<b>Crank Arm Length</b>	6.5	6.69	6.69	6.89
<b>Handlebar Width</b>	800.0	800.0	800.0	800.0
<b>Recommended Rider Height</b>	64.96 - 68.11	68.11 - 70.87	70.87 - 74.02	74.02
<b>Stem Length</b>	1.97	1.97	1.97	1.97

## Measurements based on:

- an unsprung bike (no sag)
- a 29 x 2.4" tire measuring 745mm in diameter
- Standover is measured from vertically from ground to bend in top tube, subtract 2–8mm (0.1–0.3") for 27.5 x 2.8–3.0" tires
- Measurements shown are for LOW / HIGH Flip Chip settings