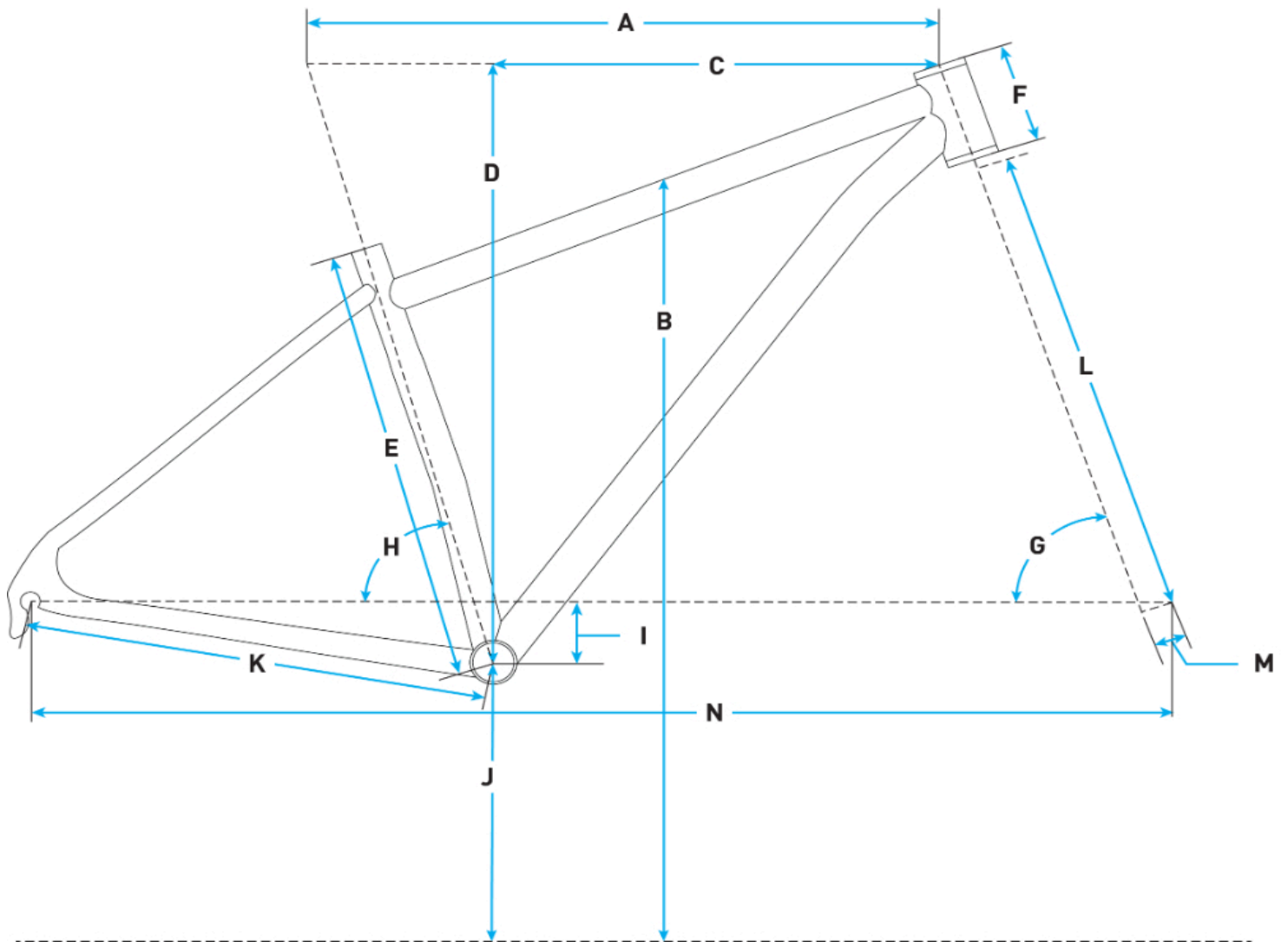


# 2026 Salsa Journeyer Flat Bar Altus 650b - Red - Geometrical Chart



## Metric

Size	X-Small	Small	Medium	Large	X-Large
<b>A. Effective Top Tube</b>	550.0	570.0	600.0	625.0	650.0
<b>B. Stand Over</b>	606.0	641.0	677.0	713.0	749.0
<b>C. Reach</b>	393.0	404.0	423.0	436.0	450.0
<b>D. Stack</b>	514.0	542.0	580.0	617.0	655.0
<b>E. Total Seat Tube Length</b>	340.0	380.0	450.0	490.0	530.0
<b>F. Headtube Length</b>	90.0	120.0	160.0	200.0	240.0
<b>G. Headtube Angle</b>	69.5	69.5	69.5	69.5	69.5
<b>H. Seat Tube Angle</b>	73.0	73.0	73.0	73.0	73.0
<b>I. BB Drop</b>	70.0	70.0	70.0	70.0	70.0
<b>K. Chainstay Length</b>	440.0	440.0	440.0	440.0	440.0
<b>L. Fork Length Axle to Crown</b>	402.0	402.0	402.0	402.0	402.0
<b>M. Fork Offset</b>	50.0	50.0	50.0	50.0	50.0
<b>N. Wheelbase</b>	1047.0	1069.0	1101.0	1129.0	1156.0

<b>Crank Arm Length</b>	165.0	170.0	170.0	172.5	175.0
<b>Handlebar Width</b>	700.0	700.0	700.0	700.0	700.0
<b>Recommended Rider Height</b>	142.0 - 155.0	152.0 - 165.0	163.0 - 175.0	173.0 - 185.0	183.0 - 196.0
<b>Stem Length</b>	60.0	70.0	70.0	80.0	90.0

## Imperial

<b>Size</b>	<b>X-Small</b>	<b>Small</b>	<b>Medium</b>	<b>Large</b>	<b>X-Large</b>
<b>A. Effective Top Tube</b>	21.65	22.44	23.62	24.61	25.59
<b>B. Stand Over</b>	23.86	25.24	26.65	28.07	29.49
<b>C. Reach</b>	15.47	15.91	16.65	17.17	17.72
<b>D. Stack</b>	20.24	21.34	22.83	24.29	25.79
<b>E. Total Seat Tube Length</b>	13.39	14.96	17.72	19.29	20.87
<b>F. Headtube Length</b>	3.54	4.72	6.3	7.87	9.45
<b>G. Headtube Angle</b>	69.5	69.5	69.5	69.5	69.5
<b>H. Seat Tube Angle</b>	73.0	73.0	73.0	73.0	73.0
<b>I. BB Drop</b>	2.76	2.76	2.76	2.76	2.76
<b>K. Chainstay Length</b>	17.32	17.32	17.32	17.32	17.32
<b>L. Fork Length Axle to Crown</b>	15.83	15.83	15.83	15.83	15.83
<b>M. Fork Offset</b>	1.97	1.97	1.97	1.97	1.97
<b>N. Wheelbase</b>	41.22	42.09	43.35	44.45	45.51
<b>Crank Arm Length</b>	6.5	6.69	6.69	6.79	6.89
<b>Handlebar Width</b>	700.0	700.0	700.0	700.0	700.0
<b>Recommended Rider Height</b>	55.91 - 61.02	59.84 - 64.96	64.17 - 68.9	68.11 - 72.83	72.05 - 77.17
<b>Stem Length</b>	2.36	2.76	2.76	3.15	3.54

## Measurements based on:

- a fork measuring 405mm with 50mm offset
- a 700 x 38mm tire measuring 706 mm in diameter
- Stand over measured vertically to top of top tube from a position 50mm forward of BB center