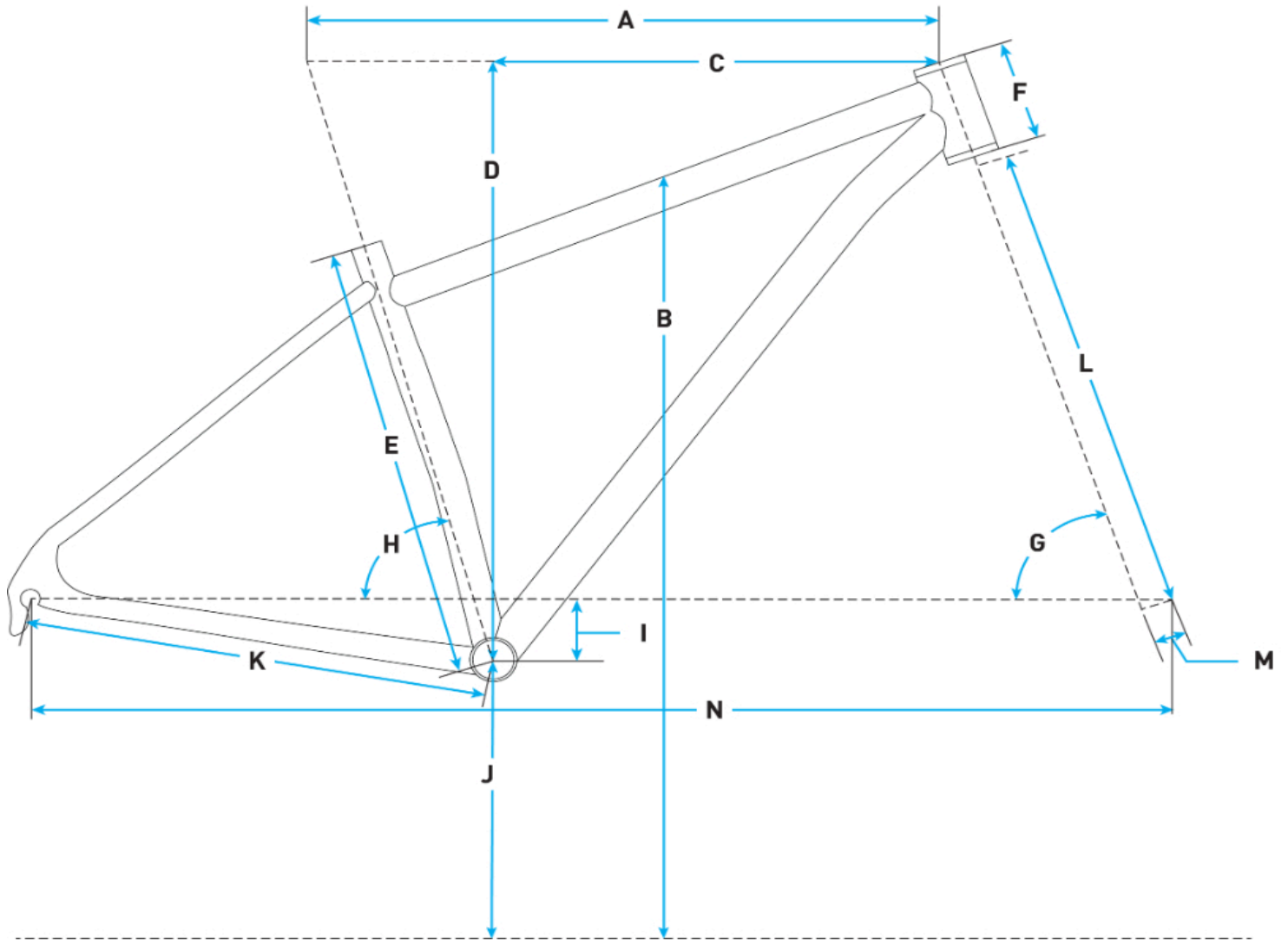


2026 Salsa Journeyer GRX 600 700c - White - Geometrical Chart



Metric

Size	49cm	51cm	53cm	55cm	57cm	60cm
A. Effective Top Tube	493.0	510.0	530.0	550.0	570.0	600.0
B. Stand Over	613.5	648.5	684.5	720.5	756.5	803.5
C. Reach	366.0	368.0	372.0	376.0	387.0	408.0
D. Stack	510.0	528.0	552.0	570.0	598.0	627.0
E. Total Seat Tube Length	340.0	380.0	410.0	450.0	490.0	520.0
F. Headtube Length	90.0	105.0	130.0	150.0	180.0	210.0
G. Headtube Angle	68.5	69.5	69.5	69.5	69.5	69.5
H. Seat Tube Angle	76.0	75.0	74.0	73.0	73.0	73.0
I. BB Drop	70.0	70.0	70.0	70.0	70.0	70.0
K. Chainstay Length	440.0	440.0	440.0	440.0	440.0	440.0
L. Fork Length Axle to Crown	402.0	402.0	402.0	402.0	402.0	402.0
M. Fork Offset	50.0	50.0	50.0	50.0	50.0	50.0
N. Wheelbase	1027.0	1028.0	1040.0	1050.0	1072.0	1104.0

Crank Arm Length	165.0	165.0	170.0	172.5	175.0	175.0
Handlebar Width	38.0	40.0	42.0	44.0	46.0	46.0
Recommended Rider Height	142.0 - 152.0	150.0 - 160.0	157.0 - 170.0	165.0 - 178.0	173.0 - 185.0	183.0
Stem Length	60.0	70.0	80.0	80.0	90.0	100.0

Imperial

Size	49cm	51cm	53cm	55cm	57cm	60cm
A. Effective Top Tube	19.41	20.08	20.87	21.65	22.44	23.62
B. Stand Over	24.15	25.53	26.95	28.37	29.78	31.63
C. Reach	14.41	14.49	14.65	14.8	15.24	16.06
D. Stack	20.08	20.79	21.73	22.44	23.54	24.69
E. Total Seat Tube Length	13.39	14.96	16.14	17.72	19.29	20.47
F. Headtube Length	3.54	4.13	5.12	5.91	7.09	8.27
G. Headtube Angle	68.5	69.5	69.5	69.5	69.5	69.5
H. Seat Tube Angle	76.0	75.0	74.0	73.0	73.0	73.0
I. BB Drop	2.76	2.76	2.76	2.76	2.76	2.76
K. Chainstay Length	17.32	17.32	17.32	17.32	17.32	17.32
L. Fork Length Axle to Crown	15.83	15.83	15.83	15.83	15.83	15.83
M. Fork Offset	1.97	1.97	1.97	1.97	1.97	1.97
N. Wheelbase	40.43	40.47	40.94	41.34	42.2	43.46
Crank Arm Length	6.5	6.5	6.69	6.79	6.89	6.89
Handlebar Width	149.61	157.48	165.35	173.23	181.1	181.1
Recommended Rider Height	55.91 - 59.84	59.06 - 62.99	61.81 - 66.93	64.96 - 70.08	68.11 - 72.83	72.05
Stem Length	2.36	2.76	3.15	3.15	3.54	3.94

Measurements based on:

- a fork measuring 405mm with 50mm offset
- a 700 x 38mm tire measuring 706 mm in diameter
- Stand over measured vertically to top of top tube from a position 50mm forward of BB center