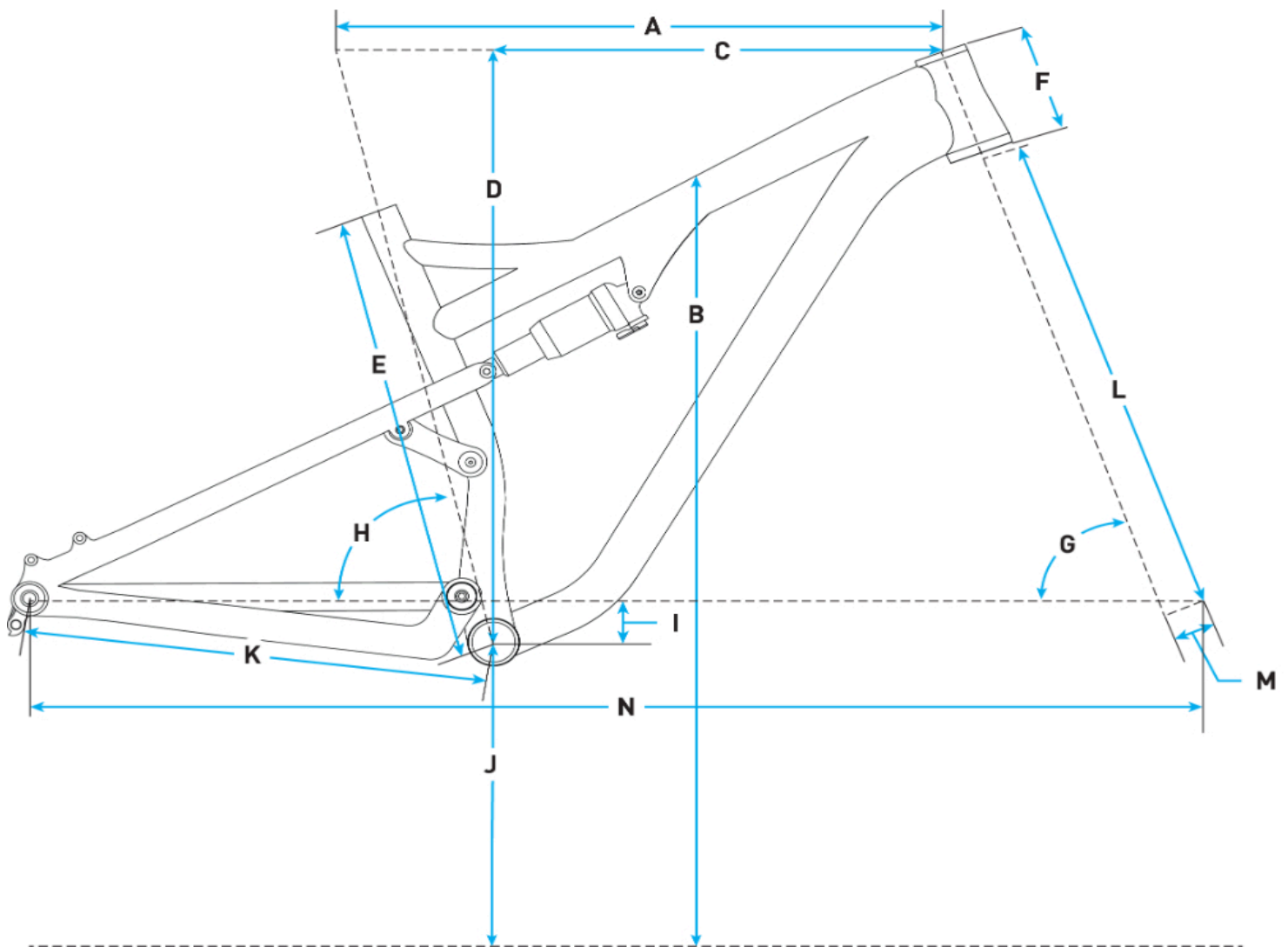


2026 Salsa Moraine C X0 Transmission - Charcoal/Red Cedar - Geometrical Chart



Metric

Size	Small	Medium	Large	X-Large
A. Effective Top Tube	590.2- 591.0	612.2- 613.0	634.2- 636.0	656.2- 657.0
B. Stand Over	754.0- 751.0	754.0- 751.0	754.0- 751.0	754.0- 751.0
C. Reach	453.0- 449.3	473.0- 469.3	494.0- 490.4	513.0- 509.3
D. Stack	613.6- 616.3	622.6- 625.3	631.6- 634.4	640.5- 643.4
E. Total Seat Tube Length	405.0	430.0	455.0	480.0
F. Headtube Length	100.0	110.0	120.0	130.0
G. Headtube Angle	63.9 - 63.6	63.9 - 63.6	63.9 - 63.6	63.9 - 63.6
H. Seat Tube Angle	77.4 - 77.1	77.4 - 77.1	77.4 - 77.1	77.4 - 77.1

I. BB Drop	25.0- 29.8	25.0- 29.8	25.0- 29.8	25.0- 29.8
J. BB Height	351.0- 346.2	351.0- 346.2	351.0- 346.2	351.0- 346.2
K. Chainstay Length	435.3- 436.5	435.3- 436.5	435.3- 436.5	435.3- 436.5
L. Fork Length Axle to Crown	573.0	573.0	573.0	573.0
M. Fork Offset	44.0	44.0	44.0	44.0
N. Wheelbase	1225.0- 1225.7	1249.4- 1250.1	1274.8- 1275.6	1298.2- 1298.8
Crank Arm Length	160.0	160.0	165.0	165.0
Handlebar Width	760.0	800.0	800.0	800.0
Recommended Rider Height	157.0 - 170.0	168.0 - 180.0	178.0 - 191.0	188.0 - 201.0
Stem Length	40.0	40.0	40.0	40.0

Imperial

Size	Small	Medium	Large	X-Large
A. Effective Top Tube	23.24- 23.27	24.1- 24.13	24.97- 25.04	25.83- 25.87
B. Stand Over	29.69- 29.57	29.69- 29.57	29.69- 29.57	29.69- 29.57
C. Reach	17.83- 17.69	18.62- 18.48	19.45- 19.31	20.2- 20.05
D. Stack	24.16- 24.26	24.51- 24.62	24.87- 24.98	25.22- 25.33
E. Total Seat Tube Length	15.94	16.93	17.91	18.9
F. Headtube Length	3.94	4.33	4.72	5.12
G. Headtube Angle	63.9 - 63.6	63.9 - 63.6	63.9 - 63.6	63.9 - 63.6
H. Seat Tube Angle	77.4 - 77.1	77.4 - 77.1	77.4 - 77.1	77.4 - 77.1
I. BB Drop	0.98- 1.17	0.98- 1.17	0.98- 1.17	0.98- 1.17
J. BB Height	13.82- 13.63	13.82- 13.63	13.82- 13.63	13.82- 13.63
K. Chainstay Length	17.14- 17.19	17.14- 17.19	17.14- 17.19	17.14- 17.19
L. Fork Length Axle to Crown	22.56	22.56	22.56	22.56
M. Fork Offset	1.73	1.73	1.73	1.73
N. Wheelbase	48.23- 48.26	49.19- 49.22	50.19- 50.22	51.11- 51.13
Crank Arm Length	6.3	6.3	6.5	6.5
Handlebar Width	760.0	800.0	800.0	800.0
Recommended Rider Height	61.81 - 66.93	66.14 - 70.87	70.08 - 75.2	74.02 - 79.13
Stem Length	1.57	1.57	1.57	1.57

Measurements based on:

- An unsprung bike (no sag)
- A 29 x 2.5" tire measuring 752 mm in diameter
- Standover (D) for all sizes is measured vertically to top of toptube from a position 50mm forward of BB center
- Note: Where two measurements are listed, the first number is with Flip Chip in default High position; the second number is with Flip Chip in Low position