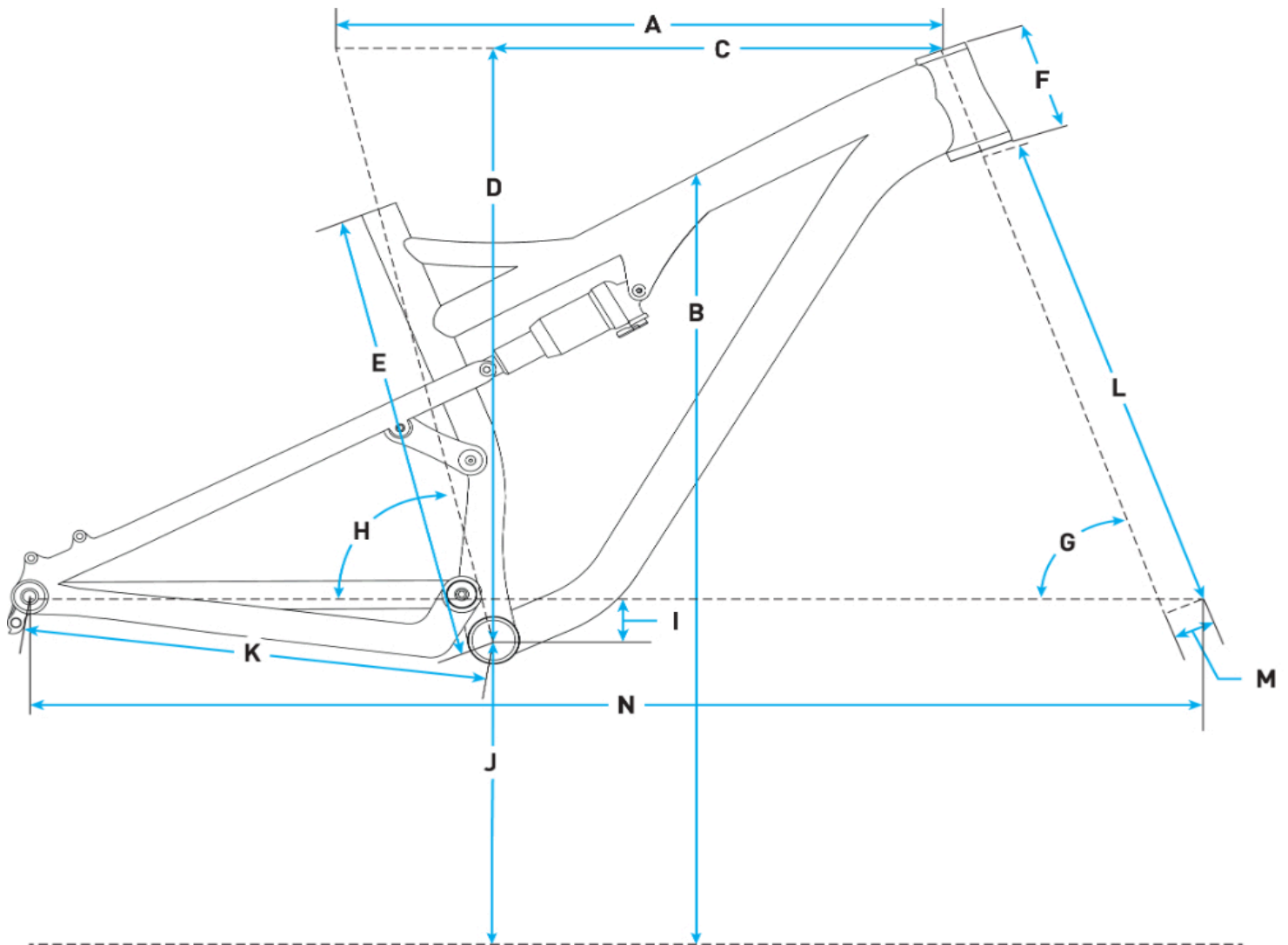


2026 Salsa Notch C GX Eagle Transmission - Black/Walnut - Geometrical Chart



Metric

Size	Small	Medium	Large	X-Large
A. Effective Top Tube	590.2	612.1	633.8	655.6
B. Stand Over	748.3	746.9	746.9	746.9
C. Reach	466.3	487.4	507.3	527.3
D. Stack	628.4	632.8	641.8	650.7
E. Total Seat Tube Length	405.0	430.0	455.0	480.0
F. Headtube Length	95.0	100.0	110.0	120.0
G. Headtube Angle	63.4	63.4	63.4	63.4
H. Seat Tube Angle	78.9	78.9	78.9	78.9
I. BB Drop	27.3	27.3	27.3	27.3
J. BB Height	348.7	348.7	348.7	348.7
K. Chainstay Length	444.1	444.1	444.1	444.1

L. Fork Length Axle to Crown	596.0	596.0	596.0	596.0
M. Fork Offset	44.0	44.0	44.0	44.0
N. Wheelbase	1260.5	1283.8	1308.2	1332.7
Crank Arm Length	160.0	160.0	160.0	160.0
Handlebar Width	780.0	800.0	800.0	800.0
Recommended Rider Height	157.0 - 170.0	168.0 - 180.0	178.0 - 191.0	188.0
Stem Length	40.0	40.0	40.0	40.0

Imperial

Size	Small	Medium	Large	X-Large
A. Effective Top Tube	23.24	24.1	24.95	25.81
B. Stand Over	29.46	29.41	29.41	29.41
C. Reach	18.36	19.19	19.97	20.76
D. Stack	24.74	24.91	25.27	25.62
E. Total Seat Tube Length	15.94	16.93	17.91	18.9
F. Headtube Length	3.74	3.94	4.33	4.72
G. Headtube Angle	63.4	63.4	63.4	63.4
H. Seat Tube Angle	78.9	78.9	78.9	78.9
I. BB Drop	1.07	1.07	1.07	1.07
J. BB Height	13.73	13.73	13.73	13.73
K. Chainstay Length	17.48	17.48	17.48	17.48
L. Fork Length Axle to Crown	23.46	23.46	23.46	23.46
M. Fork Offset	1.73	1.73	1.73	1.73
N. Wheelbase	49.63	50.54	51.5	52.47
Crank Arm Length	6.3	6.3	6.3	6.3
Handlebar Width	780.0	800.0	800.0	800.0
Recommended Rider Height	61.81 - 66.93	66.14 - 70.87	70.08 - 75.2	74.02
Stem Length	1.57	1.57	1.57	1.57

Measurements based on:

- An unsprung bike (no sag)
- A 29 x 2.6" tire measuring 759 mm in diameter
- Standover (D) for all sizes is measured vertically to top of toptube from a position 50mm forward of BB center