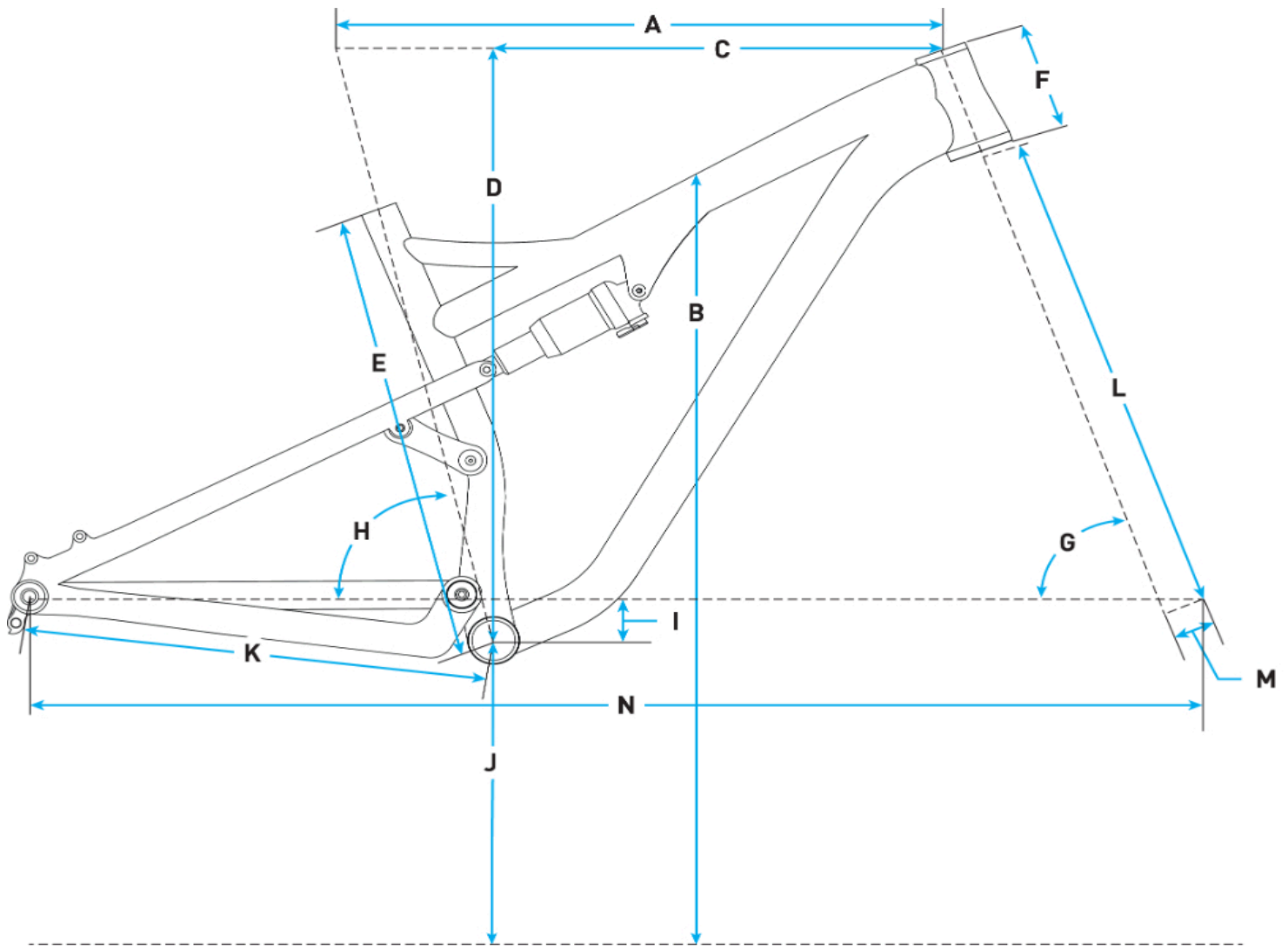


# 2026 Salsa Notch Deore 12 - Silver - Geometrical Chart



## Metric

Size	Small	Medium	Large	X-Large
<b>A. Effective Top Tube</b>	588.1	609.9	631.6	653.3
<b>B. Stand Over</b>	752.6	751.7	751.6	751.5
<b>C. Reach</b>	477.8	498.9	519.0	539.1
<b>D. Stack</b>	619.0	623.3	632.2	641.1
<b>E. Total Seat Tube Length</b>	405.0	430.0	455.0	480.0
<b>F. Headtube Length</b>	95.0	100.0	110.0	120.0
<b>G. Headtube Angle</b>	64.4	64.4	64.4	64.4
<b>H. Seat Tube Angle</b>	79.9	79.9	79.9	79.9
<b>I. BB Drop</b>	21.5	21.3	21.2	21.1
<b>J. BB Height</b>	358.0	358.2	358.3	358.4
<b>K. Chainstay Length</b>	441.7	441.7	441.7	441.7
<b>L. Fork Length Axle to Crown</b>	585.0	585.0	585.0	585.0
<b>M. Fork Offset</b>	44.0	44.0	44.0	44.0

<b>N. Wheelbase</b>	1254.1	1277.3	1301.1	1326.2
<b>Crank Arm Length</b>	160.0	160.0	160.0	160.0
<b>Handlebar Width</b>	780.0	780.0	780.0	780.0
<b>Recommended Rider Height</b>	157.0 - 170.0	168.0 - 180.0	178.0 - 191.0	188.0
<b>Stem Length</b>	40.0	40.0	40.0	40.0

## Imperial

<b>Size</b>	<b>Small</b>	<b>Medium</b>	<b>Large</b>	<b>X-Large</b>
<b>A. Effective Top Tube</b>	23.15	24.01	24.87	25.72
<b>B. Stand Over</b>	29.63	29.59	29.59	29.59
<b>C. Reach</b>	18.81	19.64	20.43	21.22
<b>D. Stack</b>	24.37	24.54	24.89	25.24
<b>E. Total Seat Tube Length</b>	15.94	16.93	17.91	18.9
<b>F. Headtube Length</b>	3.74	3.94	4.33	4.72
<b>G. Headtube Angle</b>	64.4	64.4	64.4	64.4
<b>H. Seat Tube Angle</b>	79.9	79.9	79.9	79.9
<b>I. BB Drop</b>	0.85	0.84	0.83	0.83
<b>J. BB Height</b>	14.09	14.1	14.11	14.11
<b>K. Chainstay Length</b>	17.39	17.39	17.39	17.39
<b>L. Fork Length Axle to Crown</b>	23.03	23.03	23.03	23.03
<b>M. Fork Offset</b>	1.73	1.73	1.73	1.73
<b>N. Wheelbase</b>	49.37	50.29	51.22	52.21
<b>Crank Arm Length</b>	6.3	6.3	6.3	6.3
<b>Handlebar Width</b>	780.0	780.0	780.0	780.0
<b>Recommended Rider Height</b>	61.81 - 66.93	66.14 - 70.87	70.08 - 75.2	74.02
<b>Stem Length</b>	1.57	1.57	1.57	1.57

## Measurements based on:

- An unsprung bike (no sag)
- A 29 x 2.6" tire measuring 759 mm in diameter
- Standover (D) for all sizes is measured vertically to top of toptube from a position 50mm forward of BB center