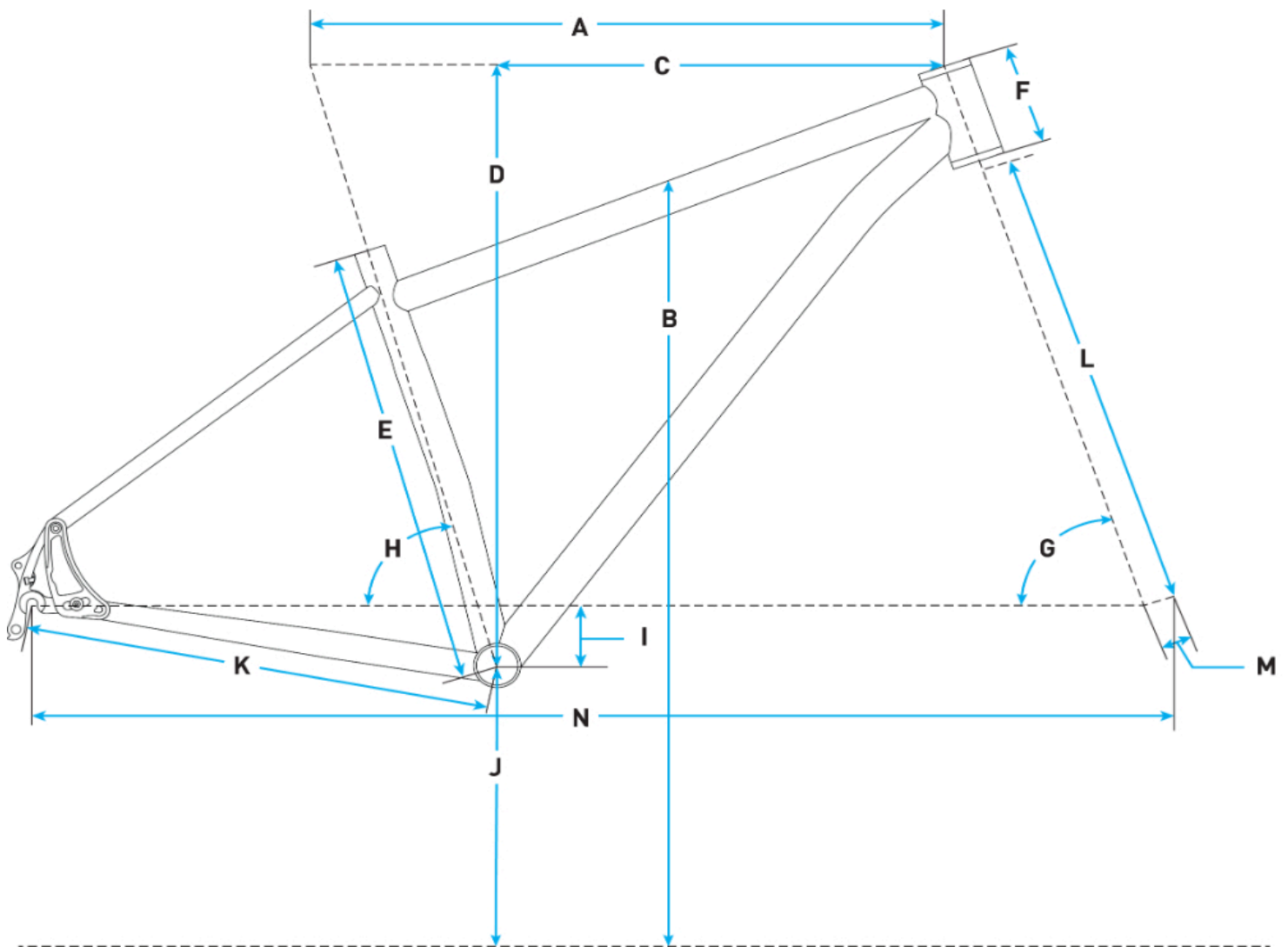


# 2026 Salsa Rangefinder Deore 11 27.5+ - Dark Gray - Geometrical Chart



## Metric

Size	X-Small	Small	Medium	Large	X-Large
<b>A. Effective Top Tube</b>	568.2	590.5	614.8	643.5	670.1
<b>B. Stand Over</b>	678.6	698.3	737.2	769.1	798.7
<b>C. Reach</b>	395.0	416.0	439.0	465.0	489.0
<b>D. Stack</b>	605.6	610.2	614.9	624.2	633.4
<b>E. Total Seat Tube Length</b>	355.0	381.0	431.0	470.0	508.0
<b>F. Headtube Length</b>	95.0	100.0	105.0	115.0	125.0
<b>G. Headtube Angle</b>	68.0	68.0	68.0	68.0	68.0
<b>H. Seat Tube Angle</b>	74.0	74.0	74.0	74.0	74.0
<b>I. BB Drop</b>	58.0	58.0	58.0	58.0	58.0
<b>K. Chainstay Length</b>	439.0	439.0	439.0	439.0	439.0
<b>L. Fork Length Axle to Crown</b>	510.0	510.0	510.0	510.0	510.0

<b>M. Fork Offset</b>	46.0	46.0	46.0	46.0	46.0
<b>N. Wheelbase</b>	1100.6	1123.4	1148.3	1178.0	1205.8
<b>Crank Arm Length</b>	170.0	170.0	175.0	175.0	175.0
<b>Handlebar Width</b>	750.0	750.0	800.0	800.0	800.0
<b>Recommended Rider Height</b>	157.0 - 168.0	160.0 - 175.0	173.0 - 183.0	180.0 - 191.0	188.0
<b>Stem Length</b>	60.0	60.0	60.0	60.0	60.0

## Imperial

Size	X-Small	Small	Medium	Large	X-Large
<b>A. Effective Top Tube</b>	22.37	23.25	24.2	25.33	26.38
<b>B. Stand Over</b>	26.72	27.49	29.02	30.28	31.44
<b>C. Reach</b>	15.55	16.38	17.28	18.31	19.25
<b>D. Stack</b>	23.84	24.02	24.21	24.57	24.94
<b>E. Total Seat Tube Length</b>	13.98	15	16.97	18.5	20
<b>F. Headtube Length</b>	3.74	3.94	4.13	4.53	4.92
<b>G. Headtube Angle</b>	68.0	68.0	68.0	68.0	68.0
<b>H. Seat Tube Angle</b>	74.0	74.0	74.0	74.0	74.0
<b>I. BB Drop</b>	2.28	2.28	2.28	2.28	2.28
<b>K. Chainstay Length</b>	17.28	17.28	17.28	17.28	17.28
<b>L. Fork Length Axle to Crown</b>	20.08	20.08	20.08	20.08	20.08
<b>M. Fork Offset</b>	1.81	1.81	1.81	1.81	1.81
<b>N. Wheelbase</b>	43.33	44.23	45.21	46.38	47.47
<b>Crank Arm Length</b>	6.69	6.69	6.89	6.89	6.89
<b>Handlebar Width</b>	750.0	750.0	800.0	800.0	800.0
<b>Recommended Rider Height</b>	61.81 - 66.14	62.99 - 68.9	68.11 - 72.05	70.87 - 75.2	74.02
<b>Stem Length</b>	2.36	2.36	2.36	2.36	2.36

## Measurements based on:

- OE spec 120mm 29/27.5+ suspension fork at 25% sag
- 27.5 x 2.8" tire measuring 722mm in diameter
- Standover is measured from vertically from ground to the top of the toptube, 50mm forward of the BB. Add 8-12.5mm (0.3-0.5") for 29 x 2.4-2.6" wheels/tires