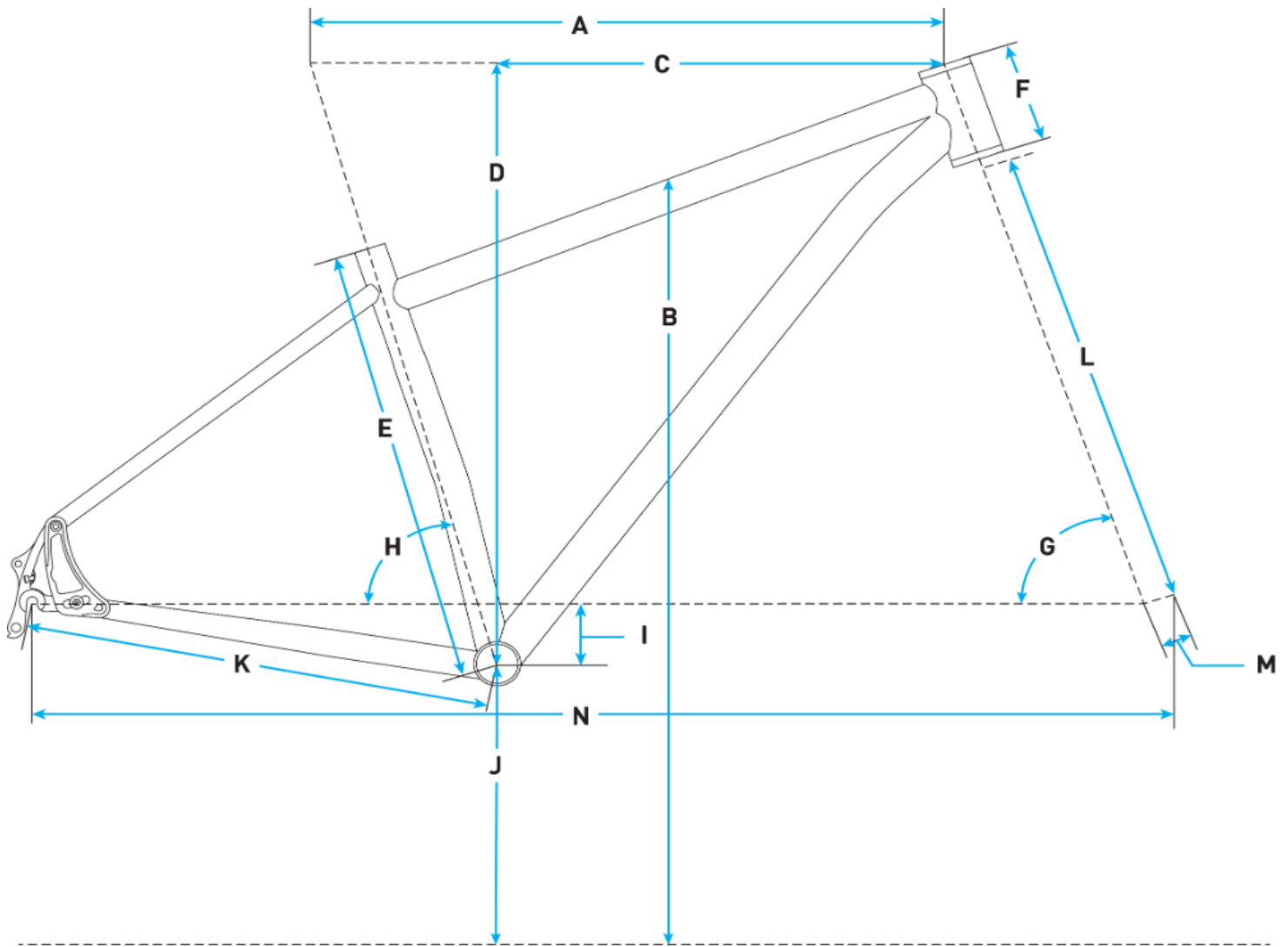


# 2026 Salsa Rangefinder Deore 11 29 - Orange - Geometrical Chart



## Metric

Size	X-Small	Small	Medium	Large	X-Large
<b>A. Effective Top Tube</b>	566.7	589.0	613.3	641.9	668.5
<b>B. Stand Over</b>	688.6	708.3	747.2	779.1	808.7
<b>C. Reach</b>	400.6	421.5	444.4	470.4	494.3
<b>D. Stack</b>	601.9	606.4	611.0	620.1	629.3
<b>E. Total Seat Tube Length</b>	355.0	381.0	431.0	470.0	508.0
<b>F. Headtube Length</b>	95.0	100.0	105.0	115.0	125.0
<b>G. Headtube Angle</b>	68.6	68.6	68.6	68.5	68.5
<b>H. Seat Tube Angle</b>	74.6	74.6	74.6	74.5	74.5
<b>I. BB Drop</b>	62.0	62.0	61.9	61.8	61.7
<b>K. Chainstay Length</b>	439.0	439.0	439.0	439.0	439.0
<b>L. Fork Length Axle to Crown</b>	501.0	501.0	501.0	501.0	501.0
<b>M. Fork Offset</b>	51.0	51.0	51.0	51.0	51.0
<b>N. Wheelbase</b>	1101.9	1124.7	1149.6	1179.4	1207.1

<b>Crank Arm Length</b>	170.0	170.0	175.0	175.0	175.0
<b>Handlebar Width</b>	750.0	750.0	800.0	800.0	800.0
<b>Recommended Rider Height</b>	157.0 - 168.0	160.0 - 175.0	173.0 - 183.0	180.0 - 191.0	188.0
<b>Stem Length</b>	60.0	60.0	60.0	60.0	60.0

## Imperial

Size	X-Small	Small	Medium	Large	X-Large
<b>A. Effective Top Tube</b>	22.31	23.19	24.15	25.27	26.32
<b>B. Stand Over</b>	27.11	27.89	29.42	30.67	31.84
<b>C. Reach</b>	15.77	16.59	17.5	18.52	19.46
<b>D. Stack</b>	23.7	23.87	24.06	24.41	24.78
<b>E. Total Seat Tube Length</b>	13.98	15	16.97	18.5	20
<b>F. Headtube Length</b>	3.74	3.94	4.13	4.53	4.92
<b>G. Headtube Angle</b>	68.6	68.6	68.6	68.5	68.5
<b>H. Seat Tube Angle</b>	74.6	74.6	74.6	74.5	74.5
<b>I. BB Drop</b>	2.44	2.44	2.44	2.43	2.43
<b>K. Chainstay Length</b>	17.28	17.28	17.28	17.28	17.28
<b>L. Fork Length Axle to Crown</b>	19.72	19.72	19.72	19.72	19.72
<b>M. Fork Offset</b>	2.01	2.01	2.01	2.01	2.01
<b>N. Wheelbase</b>	43.38	44.28	45.26	46.43	47.52
<b>Crank Arm Length</b>	6.69	6.69	6.89	6.89	6.89
<b>Handlebar Width</b>	750.0	750.0	800.0	800.0	800.0
<b>Recommended Rider Height</b>	61.81 - 66.14	62.99 - 68.9	68.11 - 72.05	70.87 - 75.2	74.02
<b>Stem Length</b>	2.36	2.36	2.36	2.36	2.36

## Measurements based on:

- OE spec 120mm 29/27.5+ suspension fork at 25% sag
- 27.5 x 2.8" tire measuring 722mm in diameter
- Standover is measured from vertically from ground to the top of the toptube, 50mm forward of the BB. Add 8-12.5mm (0.3-0.5") for 29 x 2.4-2.6" wheels/tires