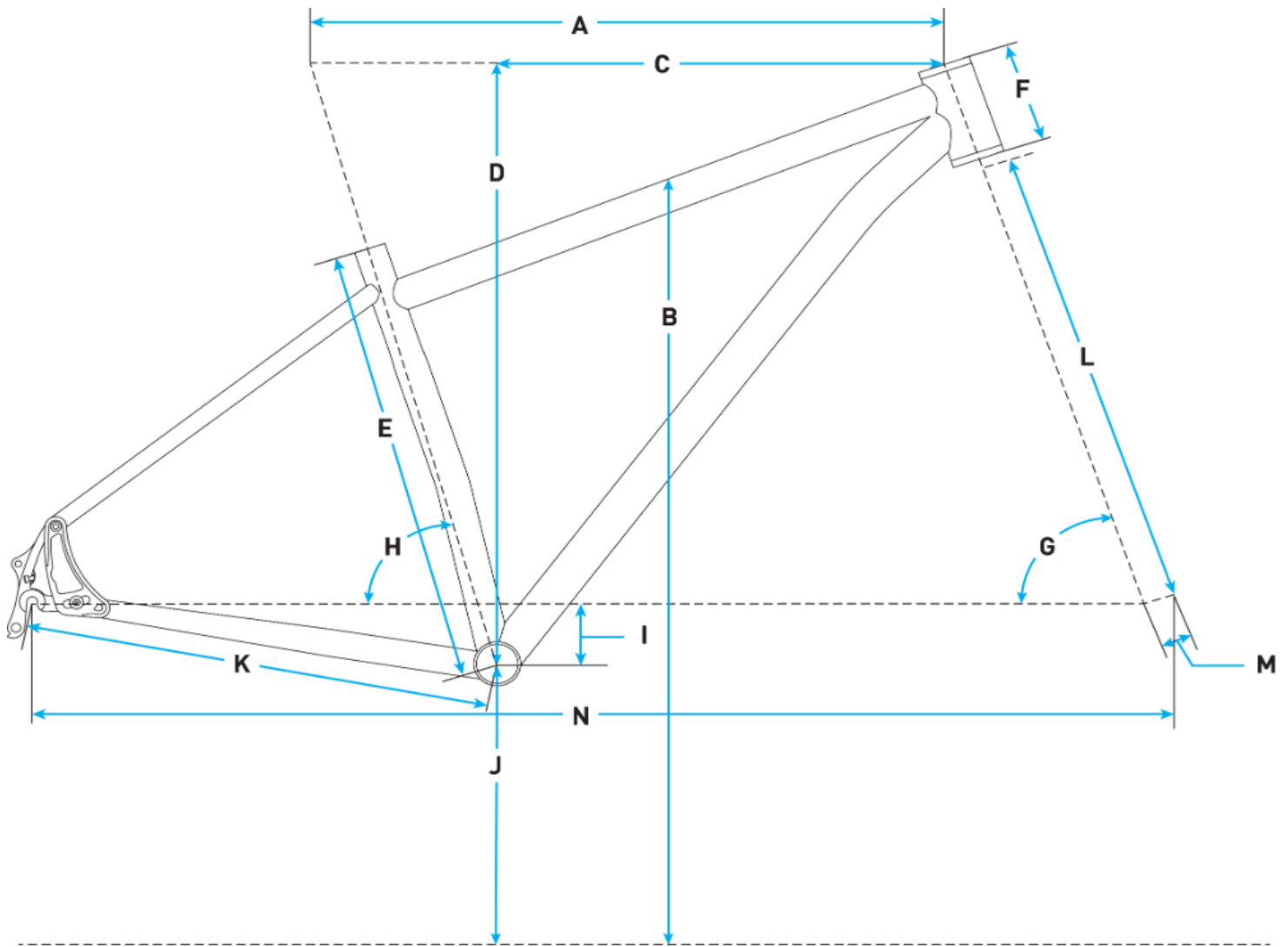


2026 Salsa Rangefinder Deore 11 29 - Slate - Geometrical Chart



Metric

Size	X-Small	Small	Medium	Large	X-Large
A. Effective Top Tube	566.7	589.0	613.3	641.9	668.5
B. Stand Over	688.6	708.3	747.2	779.1	808.7
C. Reach	400.6	421.5	444.4	470.4	494.3
D. Stack	601.9	606.4	611.0	620.1	629.3
E. Total Seat Tube Length	355.0	381.0	431.0	470.0	508.0
F. Headtube Length	95.0	100.0	105.0	115.0	125.0
G. Headtube Angle	68.6	68.6	68.6	68.5	68.5
H. Seat Tube Angle	74.6	74.6	74.6	74.5	74.5
I. BB Drop	62.0	62.0	61.9	61.8	61.7
K. Chainstay Length	439.0	439.0	439.0	439.0	439.0
L. Fork Length Axle to Crown	501.0	501.0	501.0	501.0	501.0
M. Fork Offset	501.0	501.0	501.0	501.0	501.0
N. Wheelbase	1101.9	1124.7	1149.6	1179.4	1207.1

Crank Arm Length	170.0	170.0	175.0	175.0	175.0
Handlebar Width	750.0	750.0	800.0	800.0	800.0
Recommended Rider Height	157.0 - 168.0	160.0 - 175.0	173.0 - 183.0	180.0 - 191.0	188.0
Stem Length	60.0	60.0	60.0	60.0	60.0

Imperial

Size	X-Small	Small	Medium	Large	X-Large
A. Effective Top Tube	22.31	23.19	24.15	25.27	26.32
B. Stand Over	27.11	27.89	29.42	30.67	31.84
C. Reach	15.77	16.59	17.5	18.52	19.46
D. Stack	23.7	23.87	24.06	24.41	24.78
E. Total Seat Tube Length	13.98	15	16.97	18.5	20
F. Headtube Length	3.74	3.94	4.13	4.53	4.92
G. Headtube Angle	68.6	68.6	68.6	68.5	68.5
H. Seat Tube Angle	74.6	74.6	74.6	74.5	74.5
I. BB Drop	2.44	2.44	2.44	2.43	2.43
K. Chainstay Length	17.28	17.28	17.28	17.28	17.28
L. Fork Length Axle to Crown	19.72	19.72	19.72	19.72	19.72
M. Fork Offset	19.72	19.72	19.72	19.72	19.72
N. Wheelbase	43.38	44.28	45.26	46.43	47.52
Crank Arm Length	6.69	6.69	6.89	6.89	6.89
Handlebar Width	750.0	750.0	800.0	800.0	800.0
Recommended Rider Height	61.81 - 66.14	62.99 - 68.9	68.11 - 72.05	70.87 - 75.2	74.02
Stem Length	2.36	2.36	2.36	2.36	2.36

Measurements based on:

- OE spec 120mm 29/27.5+ suspension fork at 25% sag
- 27.5 x 2.8" tire measuring 722mm in diameter
- Standover (P) for all sizes is measured vertically to top of toptube from a position 50mm forward of BB center