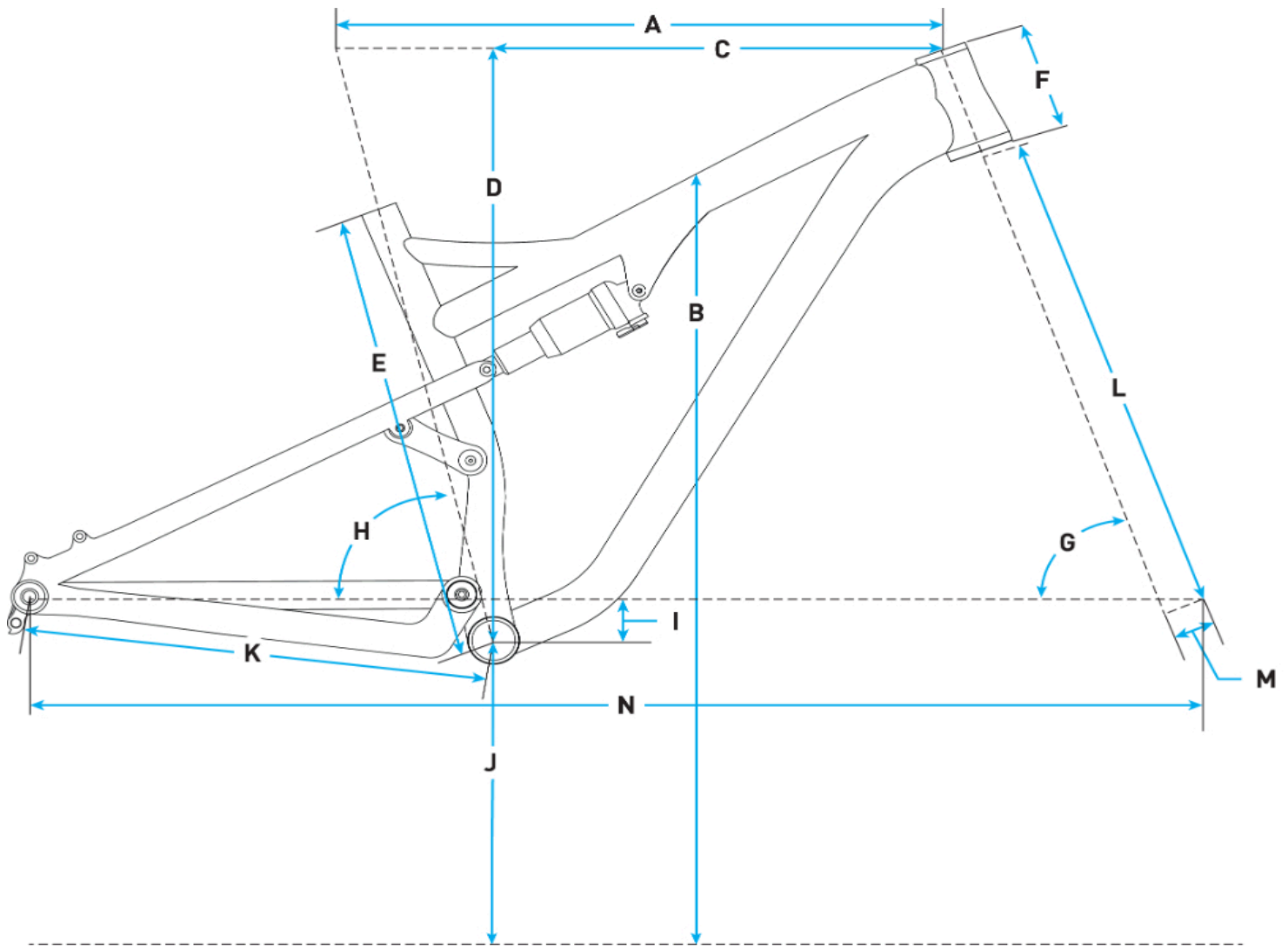


2026 Salsa Rustler C XT - Purple Fade - Geometrical Chart



Metric

Size	X-Small	Small	Medium	Large	X-Large
A. Effective Top Tube	563.0- 562.0	595.0- 594.0	616.0- 615.0	638.0- 637.0	659.0- 658.0
B. Stand Over	706.0- 708.0	709.0- 711.0	709.0- 711.0	709.0- 711.0	709.0- 711.0
C. Reach	391.0- 394.0	420.0- 423.0	439.0- 442.0	458.0- 461.0	476.0- 480.0
D. Stack	584.0- 582.0	593.0- 591.0	602.0- 601.0	611.0- 610.0	621.0- 619.0
E. Total Seat Tube Length	368.0	406.0	432.0	470.0	508.0
F. Headtube Length	100.0	110.0	120.0	130.0	140.0
G. Headtube Angle	65.8	65.8	65.8	65.8	65.8
	-	-	-	-	-
H. Seat Tube Angle	66.1	66.1	66.1	66.1	66.1
	-	-	-	-	-
I. BB Drop	73.7	73.7	73.7	73.7	73.7
	-	-	-	-	-
K. Chainstay Length	74.0	74.0	74.0	74.0	74.0
	-	-	-	-	-
J. BB Height	12.0- 10.0	12.0- 10.0	12.0- 10.0	12.0- 10.0	12.0- 10.0
M. Seat Tube Offset	426.0- 425.0	426.0- 425.0	426.0- 425.0	426.0- 425.0	426.0- 425.0

L. Fork Length Axle to Crown	542.0	542.0	542.0	542.0	542.0
M. Fork Offset	37.0	37.0	37.0	37.0	37.0
N. Wheelbase	1114.0- 1113.0	1147.0- 1146.0	1170.0- 1169.0	1193.0- 1192.0	1216.0- 1215.0
Crank Arm Length	165.0	170.0	170.0	175.0	175.0
Handlebar Width	760.0	760.0	800.0	800.0	800.0
Recommended Rider Height	155.0 - 168.0	168.0 - 175.0	175.0 - 183.0	183.0 - 190.0	190.0
Stem Length	50.0	50.0	50.0	50.0	50.0

Imperial

Size	X-Small	Small	Medium	Large	X-Large
A. Effective Top Tube	22.17- 22.13	23.43- 23.39	24.25- 24.21	25.12- 25.08	25.94- 25.91
B. Stand Over	27.8- 27.87	27.91- 27.99	27.91- 27.99	27.91- 27.99	27.91- 27.99
C. Reach	15.39- 15.51	16.54- 16.65	17.28- 17.4	18.03- 18.15	18.74- 18.9
D. Stack	22.99- 22.91	23.35- 23.27	23.7- 23.66	24.06- 24.02	24.45- 24.37
E. Total Seat Tube Length	14.49	15.98	17.01	18.5	20
F. Headtube Length	3.94	4.33	4.72	5.12	5.51
G. Headtube Angle	65.8	65.8	65.8	65.8	65.8
	-	-	-	-	-
H. Seat Tube Angle	66.1	66.1	66.1	66.1	66.1
	-	-	-	-	-
I. BB Drop	73.7	73.7	73.7	73.7	73.7
	-	-	-	-	-
J. Chainstay Length	74.0	74.0	74.0	74.0	74.0
	-	-	-	-	-
I. BB Drop	0.47- 0.39	0.47- 0.39	0.47- 0.39	0.47- 0.39	0.47- 0.39
K. Chainstay Length	16.77- 16.73	16.77- 16.73	16.77- 16.73	16.77- 16.73	16.77- 16.73
L. Fork Length Axle to Crown	21.34	21.34	21.34	21.34	21.34
M. Fork Offset	1.46	1.46	1.46	1.46	1.46
N. Wheelbase	43.86- 43.82	45.16- 45.12	46.06- 46.02	46.97- 46.93	47.87- 47.83
Crank Arm Length	6.5	6.69	6.69	6.89	6.89
Handlebar Width	760.0	760.0	800.0	800.0	800.0
Recommended Rider Height	61.02 - 66.14	66.14 - 68.9	68.9 - 72.05	72.05 - 74.8	74.8
Stem Length	1.97	1.97	1.97	1.97	1.97

Measurements based on:

- An unsprung bike (no sag)
- 150mm chart reflects measurement with an average 150mm 27.5 suspension fork; 140mm chart reflects measurement with an average 140mm 27.5 suspension fork
- A 27.5 x 2.6" tire measuring 717mm in diameter
- Standover is measured 50mm in front of bottom bracket
- Note: Where two measurements are listed, the first number is with Flip Chip in Low position; the second number is with Flip Chip in High position