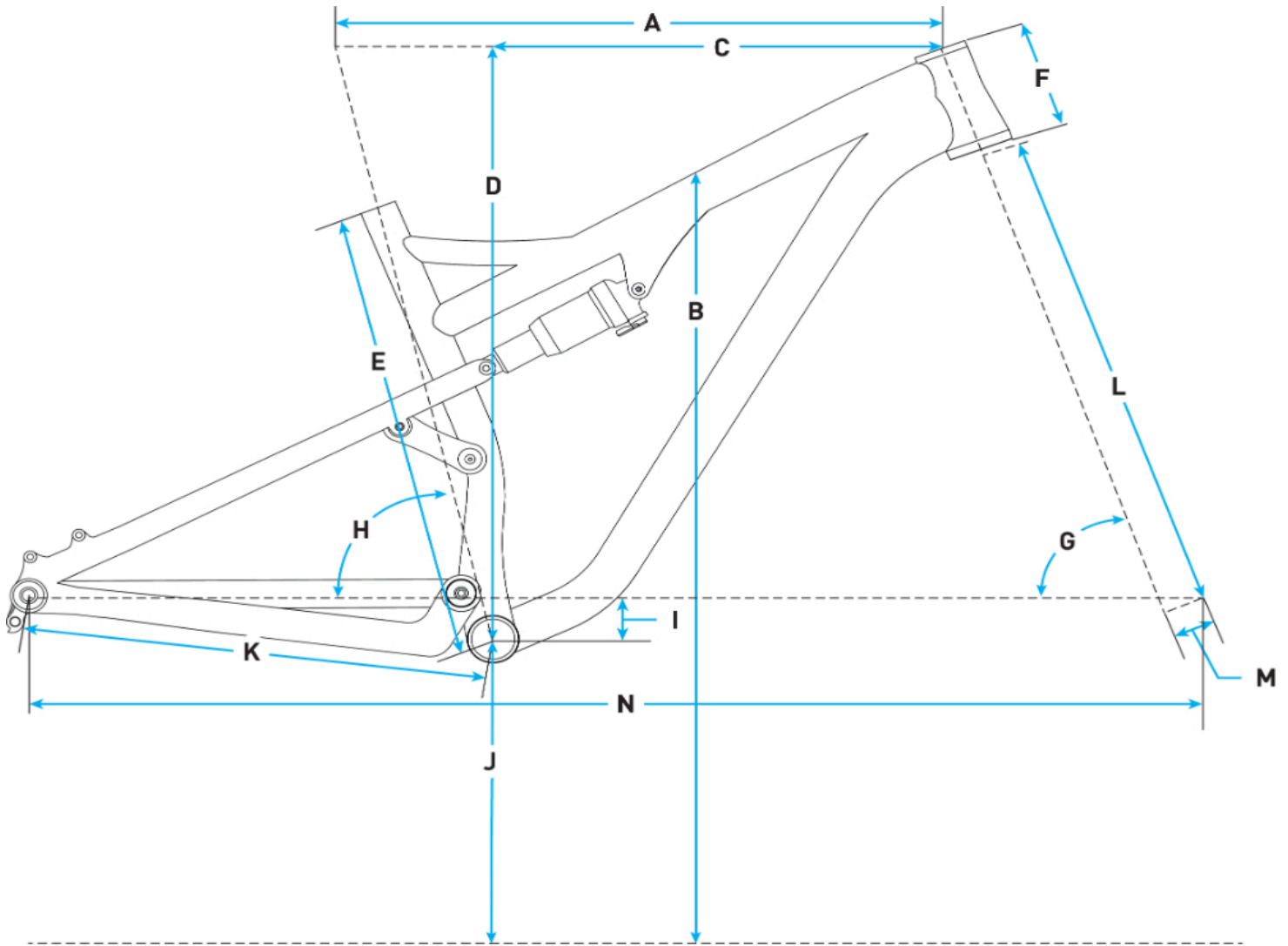


# 2026 Salsa Rustler SLX - Orange - Geometrical Chart



## Metric

Size	X-Small	Small	Medium	Large	X-Large
<b>A. Effective Top Tube</b>	563.0- 562.0	595.0- 594.0	616.0- 615.0	638.0- 637.0	659.0- 658.0
<b>B. Stand Over</b>	704.0- 706.0	701.0- 714.0	701.0- 714.0	712.0- 714.0	713.0- 716.0
<b>C. Reach</b>	391.0- 393.0	420.0- 423.0	439.0- 441.0	458.0- 460.0	476.0- 479.0
<b>D. Stack</b>	584.0- 582.0	593.0- 591.0	602.0- 600.0	611.0- 610.0	621.0- 619.0
<b>E. Total Seat Tube Length</b>	368.0	406.0	432.0	470.0	508.0
<b>F. Headtube Length</b>	100.0	110.0	120.0	130.0	140.0
<b>G. Headtube Angle</b>	65.8 -	65.8 -	65.8 -	65.8 -	65.8 -
	66.1	66.1	66.1	66.1	66.1
<b>H. Seat Tube Angle</b>	73.6 -	73.6 -	73.6 -	73.6 -	73.6 -
	74.0	74.0	74.0	74.0	74.0
<b>I. BB Drop</b>	12.0- 10.0	12.0- 10.0	12.0- 10.0	12.0- 10.0	12.0- 10.0
<b>K. Chainstay Length</b>	426.0- 425.0	426.0- 425.0	426.0- 425.0	426.0- 425.0	426.0- 425.0

<b>L. Fork Length Axle to Crown</b>	542.0	542.0	542.0	542.0	542.0
<b>M. Fork Offset</b>	37.0	37.0	37.0	37.0	37.0
<b>N. Wheelbase</b>	1114.0- 1113.0	1147.0- 1146.0	1170.0- 1169.0	1193.0- 1192.0	1216.0- 1215.0
<b>Crank Arm Length</b>	165.0	170.0	170.0	175.0	175.0
<b>Handlebar Width</b>	760.0	760.0	800.0	800.0	800.0
<b>Recommended Rider Height</b>	155.0 - 168.0	168.0 - 175.0	175.0 - 183.0	183.0 - 190.0	190.0
<b>Stem Length</b>	50.0	50.0	50.0	50.0	50.0

## Imperial

Size	X-Small	Small	Medium	Large	X-Large
<b>A. Effective Top Tube</b>	22.17- 22.13	23.43- 23.39	24.25- 24.21	25.12- 25.08	25.94- 25.91
<b>B. Stand Over</b>	27.72- 27.8	27.6- 28.11	27.6- 28.11	28.03- 28.11	28.07- 28.19
<b>C. Reach</b>	15.39- 15.47	16.54- 16.65	17.28- 17.36	18.03- 18.11	18.74- 18.86
<b>D. Stack</b>	22.99- 22.91	23.35- 23.27	23.7- 23.62	24.06- 24.02	24.45- 24.37
<b>E. Total Seat Tube Length</b>	14.49	15.98	17.01	18.5	20
<b>F. Headtube Length</b>	3.94	4.33	4.72	5.12	5.51
<b>G. Headtube Angle</b>	65.8	65.8	65.8	65.8	65.8
	-	-	-	-	-
<b>H. Seat Tube Angle</b>	66.1	66.1	66.1	66.1	66.1
	-	-	-	-	-
<b>I. BB Drop</b>	73.6	73.6	73.6	73.6	73.6
	-	-	-	-	-
<b>J. Chainstay Length</b>	74.0	74.0	74.0	74.0	74.0
	-	-	-	-	-
<b>I. BB Drop</b>	0.47- 0.39	0.47- 0.39	0.47- 0.39	0.47- 0.39	0.47- 0.39
<b>K. Chainstay Length</b>	16.77- 16.73	16.77- 16.73	16.77- 16.73	16.77- 16.73	16.77- 16.73
<b>L. Fork Length Axle to Crown</b>	21.34	21.34	21.34	21.34	21.34
<b>M. Fork Offset</b>	1.46	1.46	1.46	1.46	1.46
<b>N. Wheelbase</b>	43.86- 43.82	45.16- 45.12	46.06- 46.02	46.97- 46.93	47.87- 47.83
<b>Crank Arm Length</b>	6.5	6.69	6.69	6.89	6.89
<b>Handlebar Width</b>	760.0	760.0	800.0	800.0	800.0
<b>Recommended Rider Height</b>	61.02 - 66.14	66.14 - 68.9	68.9 - 72.05	72.05 - 74.8	74.8
<b>Stem Length</b>	1.97	1.97	1.97	1.97	1.97

## Measurements based on:

- An unsprung bike (no sag)
- 150mm chart reflects measurement with an average 150mm 27.5 suspension fork; 140mm chart reflects measurement with an average 140mm 27.5 suspension fork
- A 27.5 x 2.6" tire measuring 717mm in diameter
- Standover is measured 50mm in front of bottom bracket
- Note: Where two measurements are listed, the first number is with Flip Chip in Low position; the second number is with Flip Chip in High position