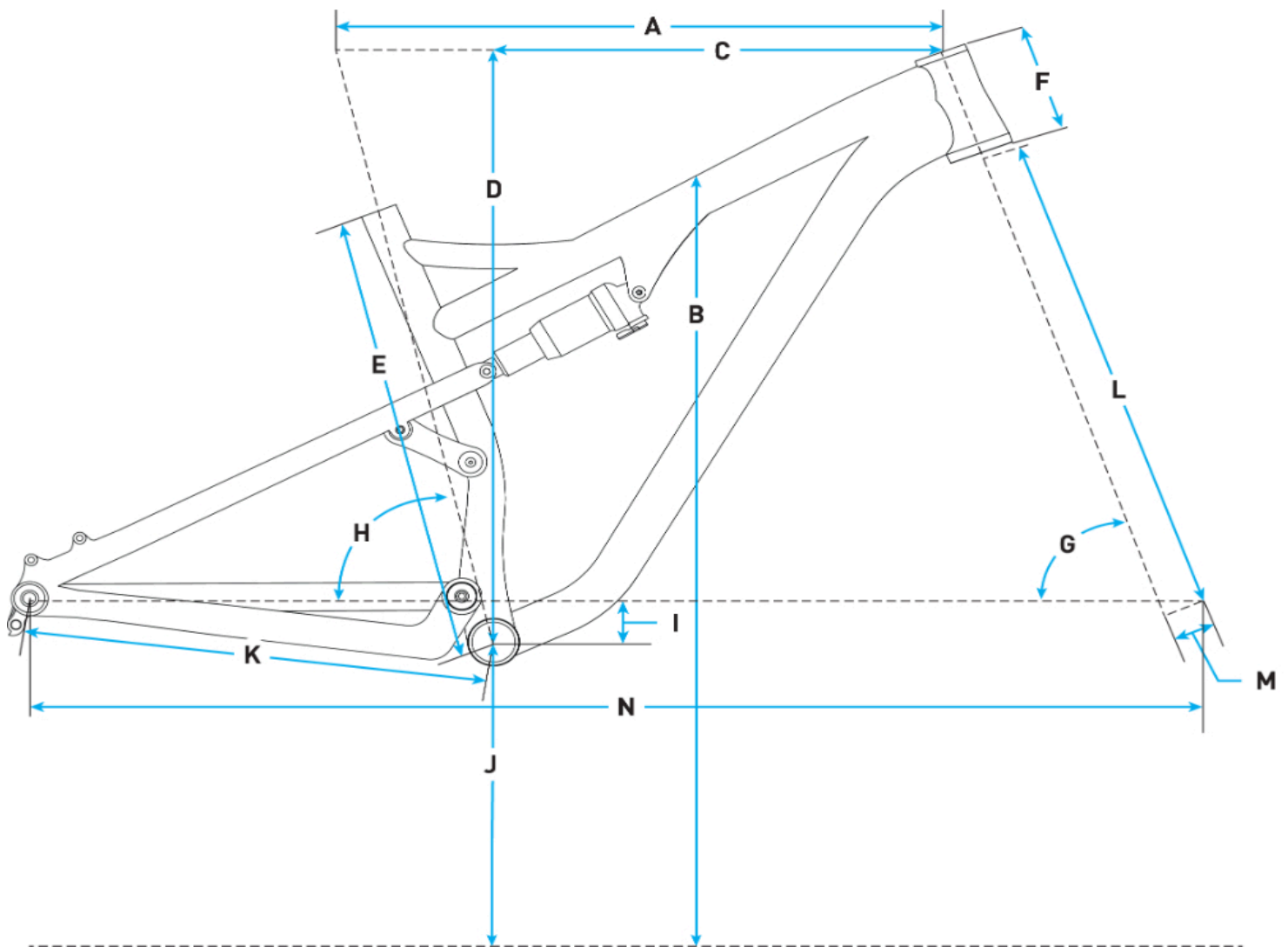


2026 Salsa Spearfish C Eagle 90 Transmission - Dusty Rose - Geometrical Chart



Metric

Size	X-Small	Small	Medium	Large	X-Large
A. Effective Top Tube	567.8- 568.6	584.9- 585.7	606.9- 607.7	629.0- 629.8	651.1- 651.9
B. Stand Over	719.1- 716.4	719.2- 716.3	719.2- 716.3	719.3- 716.2	719.3- 716.2
C. Reach	435.0- 431.4	450.0- 446.5	470.0- 466.5	490.0- 486.4	510.0- 506.5
D. Stack	589.3- 591.9	598.4- 601.1	607.6- 610.3	616.7- 619.6	625.9- 628.8
E. Total Seat Tube Length	380.0	405.0	430.0	455.0	480.0
F. Headtube Length	95.0	105.0	115.0	125.0	130.0
G. Headtube Angle	66.3	66.3	66.3	66.3	66.3
	-	-	-	-	-
H. Seat Tube Angle	66.0	66.0	66.0	66.0	66.0
	-	-	-	-	-
H. Seat Tube Angle	77.3	77.3	77.3	77.3	77.3
	-	-	-	-	-
	77.0	77.0	77.0	77.0	77.0

I. BB Drop	31.0- 35.4	31.0- 35.5	31.0- 35.5	31.0- 35.6	31.0- 35.6
J. BB Height	342.0- 337.6	342.0- 337.5	342.0- 337.5	342.0- 337.4	342.0- 337.4
K. Chainstay Length	430.0- 431.2	430.0- 431.2	430.0- 431.2	430.0- 431.2	430.0- 431.2
L. Fork Length Axle to Crown	530.0	530.0	530.0	530.0	530.0
M. Fork Offset	44.0	44.0	44.0	44.0	44.0
N. Wheelbase	1157.0- 1157.7	1176.1- 1176.7	1200.0- 1200.7	1224.1- 1224.7	1248.1- 1248.7
Crank Arm Length	165.0	165.0	165.0	170.0	170.0
Handlebar Width	760.0	760.0	800.0	800.0	800.0
Recommended Rider Height	146.0 - 159.0	157.0 - 170.0	168.0 - 180.0	178.0 - 191.0	188.0
Stem Length	50.0	50.0	50.0	50.0	50.0

Imperial

Size	X-Small	Small	Medium	Large	X-Large
A. Effective Top Tube	22.35- 22.39	23.03- 23.06	23.89- 23.93	24.76- 24.8	25.63- 25.67
B. Stand Over	28.31- 28.2	28.31- 28.2	28.31- 28.2	28.32- 28.2	28.32- 28.2
C. Reach	17.13- 16.98	17.72- 17.58	18.5- 18.37	19.29- 19.15	20.08- 19.94
D. Stack	23.2- 23.3	23.56- 23.67	23.92- 24.03	24.28- 24.39	24.64- 24.76
E. Total Seat Tube Length	14.96	15.94	16.93	17.91	18.9
F. Headtube Length	3.74	4.13	4.53	4.92	5.12
G. Headtube Angle	66.3 - 66.0	66.3 - 66.0	66.3 - 66.0	66.3 - 66.0	66.3 - 66.0
H. Seat Tube Angle	77.3 - 77.0	77.3 - 77.0	77.3 - 77.0	77.3 - 77.0	77.3 - 77.0
I. BB Drop	1.22- 1.39	1.22- 1.4	1.22- 1.4	1.22- 1.4	1.22- 1.4
J. BB Height	13.46- 13.29	13.46- 13.29	13.46- 13.29	13.46- 13.28	13.46- 13.28
K. Chainstay Length	16.93- 16.98	16.93- 16.98	16.93- 16.98	16.93- 16.98	16.93- 16.98
L. Fork Length Axle to Crown	20.87	20.87	20.87	20.87	20.87
M. Fork Offset	1.73	1.73	1.73	1.73	1.73
N. Wheelbase	45.55- 45.58	46.3- 46.33	47.24- 47.27	48.19- 48.22	49.14- 49.16
Crank Arm Length	6.5	6.5	6.5	6.69	6.69
Handlebar Width	760.0	760.0	800.0	800.0	800.0
Recommended Rider Height	57.48 - 62.6	61.81 - 66.93	66.14 - 70.87	70.08 - 75.2	74.02
Stem Length	1.97	1.97	1.97	1.97	1.97

Measurements based on:

- an unsprung bike (no sag)
- a 29 x 2.4" tire measuring 746mm in diameter
- Standover is measured from vertically from ground to top of top tube 50mm forward of bottom bracket center
- Note: Where two measurements are listed, the first number is with Flip Chip in default High position; the second number is with Flip Chip in Low position