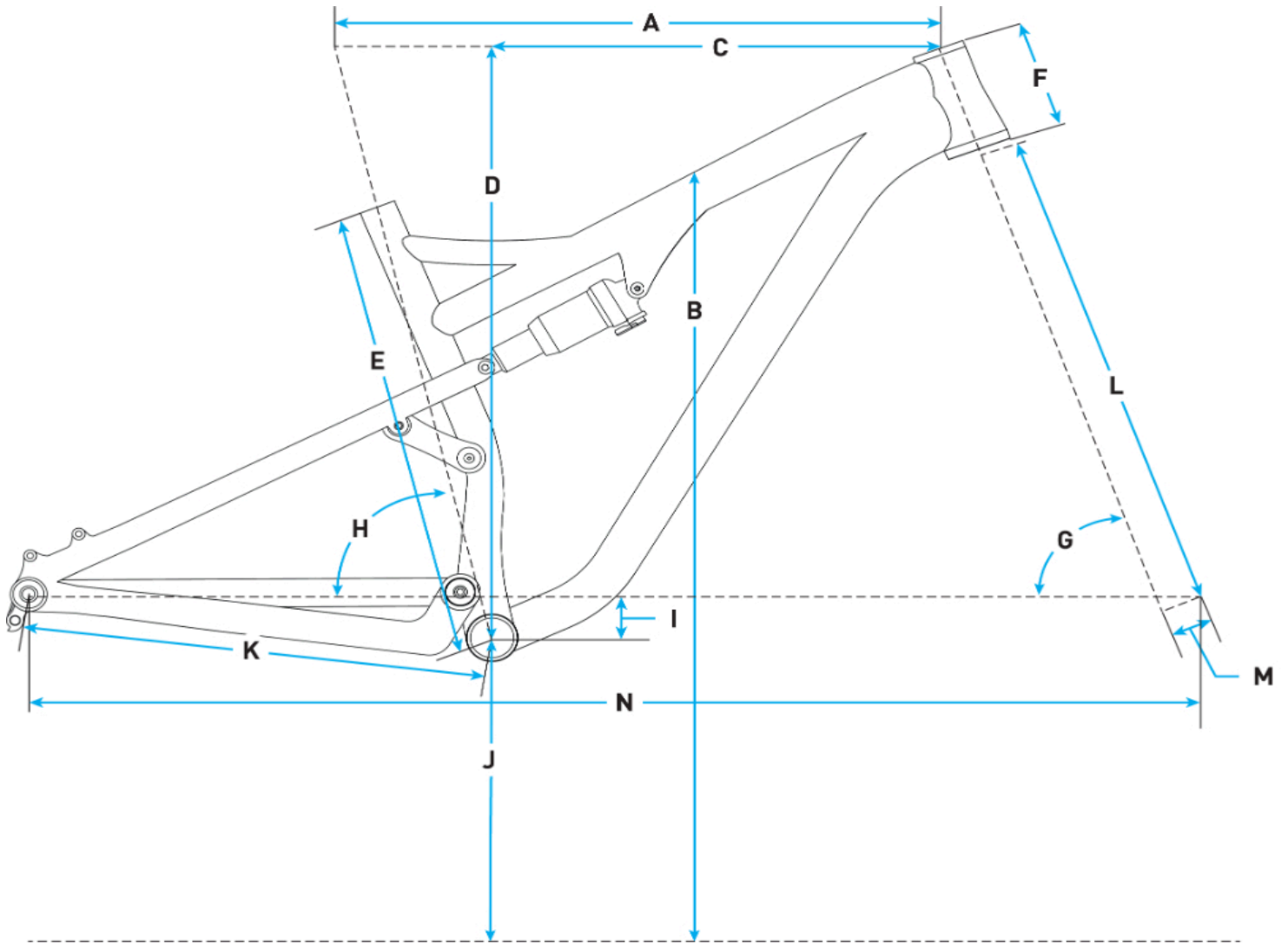


# 2026 Salsa Spearfish Deore - Dark Silver - Geometrical Chart



## Metric

Size	Small	Medium	Large	X-Large
<b>A. Effective Top Tube</b>	593.0- 592.0	615.0- 614.0	636.0- 636.0	658.0- 657.0
<b>B. Stand Over</b>	733.0- 736.0	744.0- 746.0	755.0- 758.0	765.0- 768.0
<b>C. Reach</b>	421.0- 425.0	441.0- 443.0	460.0- 462.0	479.0- 481.0
<b>D. Stack</b>	610.0- 608.0	619.0- 617.0	628.0- 626.0	637.0- 636.0
<b>E. Total Seat Tube Length</b>	419.0	444.0	483.0	520.0
<b>F. Headtube Length</b>	103.0	113.0	123.0	133.0
<b>G. Headtube Angle</b>	67.8	67.8	67.8	67.8
	-	-	-	-
<b>H. Seat Tube Angle</b>	68.0	68.0	68.0	68.0
	-	-	-	-
<b>I. BB Drop</b>	74.3	74.3	74.3	74.3
	-	-	-	-
<b>J. Chainstay Length</b>	74.6	74.6	74.6	74.6
	-	-	-	-
<b>K. Chainstay Length</b>	39.0- 36.0	39.0- 36.0	39.0- 36.0	39.0- 36.0
<b>L. Chainstay Length</b>	432.0- 431.0	432.0- 431.0	432.0- 431.0	432.0- 431.0

<b>L. Fork Length Axle to Crown</b>	531.0	531.0	531.0	531.0
<b>M. Fork Offset</b>	44.0	44.0	44.0	44.0
<b>N. Wheelbase</b>	1131.0	1154.0	1176.0	1199.0
<b>Crank Arm Length</b>	165.0	170.0	170.0	175.0
<b>Handlebar Width</b>	760.0	760.0	760.0	760.0
<b>Recommended Rider Height</b>	165.0 - 173.0	173.0 - 180.0	180.0 - 188.0	188.0
<b>Stem Length</b>	50.0	50.0	50.0	50.0

## Imperial

Size	Small	Medium	Large	X-Large
<b>A. Effective Top Tube</b>	23.35- 23.31	24.21- 24.17	25.04- 25.04	25.91- 25.87
<b>B. Stand Over</b>	28.86- 28.98	29.29- 29.37	29.72- 29.84	30.12- 30.24
<b>C. Reach</b>	16.57- 16.73	17.36- 17.44	18.11- 18.19	18.86- 18.94
<b>D. Stack</b>	24.02- 23.94	24.37- 24.29	24.72- 24.65	25.08- 25.04
<b>E. Total Seat Tube Length</b>	16.5	17.48	19.02	20.47
<b>F. Headtube Length</b>	4.06	4.45	4.84	5.24
<b>G. Headtube Angle</b>	67.8	67.8	67.8	67.8
	- 68.0	- 68.0	- 68.0	- 68.0
<b>H. Seat Tube Angle</b>	74.3	74.3	74.3	74.3
	-	-	-	-
	74.6	74.6	74.6	74.6
<b>I. BB Drop</b>	1.54- 1.42	1.54- 1.42	1.54- 1.42	1.54- 1.42
<b>K. Chainstay Length</b>	17.01- 16.97	17.01- 16.97	17.01- 16.97	17.01- 16.97
<b>L. Fork Length Axle to Crown</b>	20.91	20.91	20.91	20.91
<b>M. Fork Offset</b>	1.73	1.73	1.73	1.73
<b>N. Wheelbase</b>	44.53	45.43	46.3	47.2
<b>Crank Arm Length</b>	6.5	6.69	6.69	6.89
<b>Handlebar Width</b>	760.0	760.0	760.0	760.0
<b>Recommended Rider Height</b>	64.96 - 68.11	68.11 - 70.87	70.87 - 74.02	74.02
<b>Stem Length</b>	1.97	1.97	1.97	1.97

## Measurements based on:

- An unsprung bike (no sag)
- A 29 x 2.35" tire measuring 744mm in diameter
- Standover is measured from vertically from ground to bend in top tube, subtract 2-8mm (0.1-0.3") for 27.5 x 2.8-3.0" tires
- Measurements shown are for LOW / HIGH Flip Chip settings