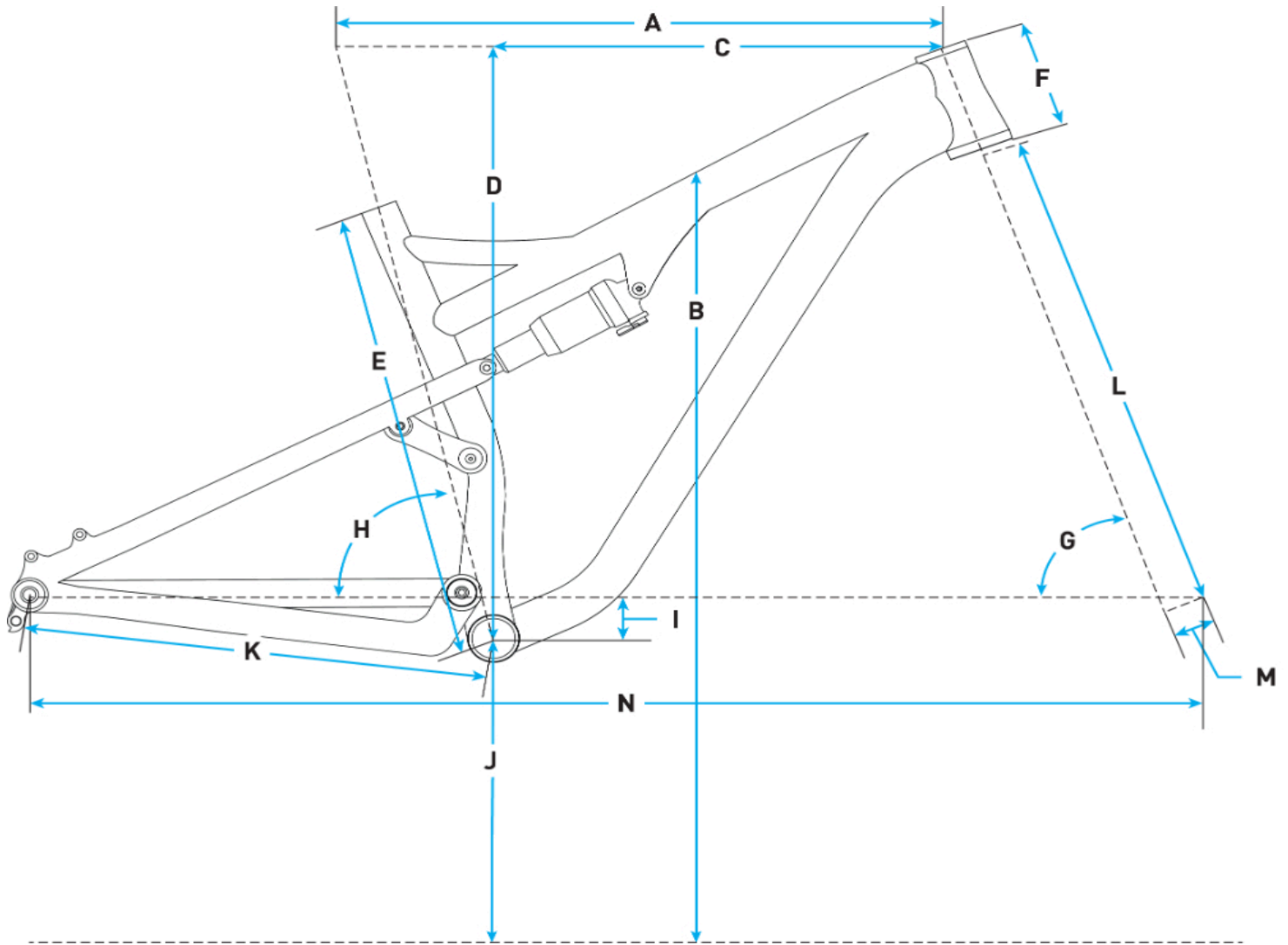


2026 Salsa Spearfish SLX - Teal - Geometrical Chart



Metric

Size	Small	Medium	Large	X-Large
A. Effective Top Tube	593.0- 592.0	615.0- 614.0	636.0- 636.0	658.0- 657.0
B. Stand Over	733.0- 736.0	744.0- 746.0	755.0- 758.0	765.0- 768.0
C. Reach	421.0- 425.0	441.0- 443.0	460.0- 462.0	479.0- 481.0
D. Stack	610.0- 608.0	619.0- 617.0	628.0- 626.0	637.0- 636.0
E. Total Seat Tube Length	419.0	444.0	483.0	520.0
F. Headtube Length	103.0	113.0	123.0	133.0
G. Headtube Angle	67.8	67.8	67.8	67.8
	-	-	-	-
H. Seat Tube Angle	68.0	68.0	68.0	68.0
	-	-	-	-
I. BB Drop	74.3	74.3	74.3	74.3
	-	-	-	-
K. Chainstay Length	74.6	74.6	74.6	74.6
	-	-	-	-
I. BB Drop	39.0- 36.0	39.0- 36.0	39.0- 36.0	39.0- 36.0
K. Chainstay Length	432.0- 431.0	432.0- 431.0	432.0- 431.0	432.0- 431.0

L. Fork Length Axle to Crown	531.0	531.0	531.0	531.0
M. Fork Offset	44.0	44.0	44.0	44.0
N. Wheelbase	1131.0	1154.0	1176.0	1199.0
Crank Arm Length	165.0	170.0	170.0	175.0
Handlebar Width	760.0	760.0	760.0	760.0
Recommended Rider Height	165.0 - 173.0	173.0 - 180.0	180.0 - 188.0	188.0
Stem Length	50.0	50.0	50.0	50.0

Imperial

Size	Small	Medium	Large	X-Large
A. Effective Top Tube	23.35- 23.31	24.21- 24.17	25.04- 25.04	25.91- 25.87
B. Stand Over	28.86- 28.98	29.29- 29.37	29.72- 29.84	30.12- 30.24
C. Reach	16.57- 16.73	17.36- 17.44	18.11- 18.19	18.86- 18.94
D. Stack	24.02- 23.94	24.37- 24.29	24.72- 24.65	25.08- 25.04
E. Total Seat Tube Length	16.5	17.48	19.02	20.47
F. Headtube Length	4.06	4.45	4.84	5.24
G. Headtube Angle	67.8	67.8	67.8	67.8
	-	-	-	-
H. Seat Tube Angle	68.0	68.0	68.0	68.0
	-	-	-	-
I. BB Drop	74.3	74.3	74.3	74.3
	-	-	-	-
J. Chainstay Length	74.6	74.6	74.6	74.6
K. Chainstay Length	1.54- 1.42	1.54- 1.42	1.54- 1.42	1.54- 1.42
L. Fork Length Axle to Crown	17.01- 16.97	17.01- 16.97	17.01- 16.97	17.01- 16.97
M. Fork Offset	20.91	20.91	20.91	20.91
N. Wheelbase	1.73	1.73	1.73	1.73
O. Crank Arm Length	44.53	45.43	46.3	47.2
P. Handlebar Width	6.5	6.69	6.69	6.89
Q. Recommended Rider Height	760.0	760.0	760.0	760.0
R. Stem Length	64.96 - 68.11	68.11 - 70.87	70.87 - 74.02	74.02
S. Stem Length	1.97	1.97	1.97	1.97

Measurements based on:

- An unsprung bike (no sag)
- A 29 x 2.35" tire measuring 744mm in diameter
- Standover is measured from vertically from ground to bend in top tube, subtract 2-8mm (0.1-0.3") for 27.5 x 2.8-3.0" tires
- Measurements shown are for LOW / HIGH Flip Chip settings