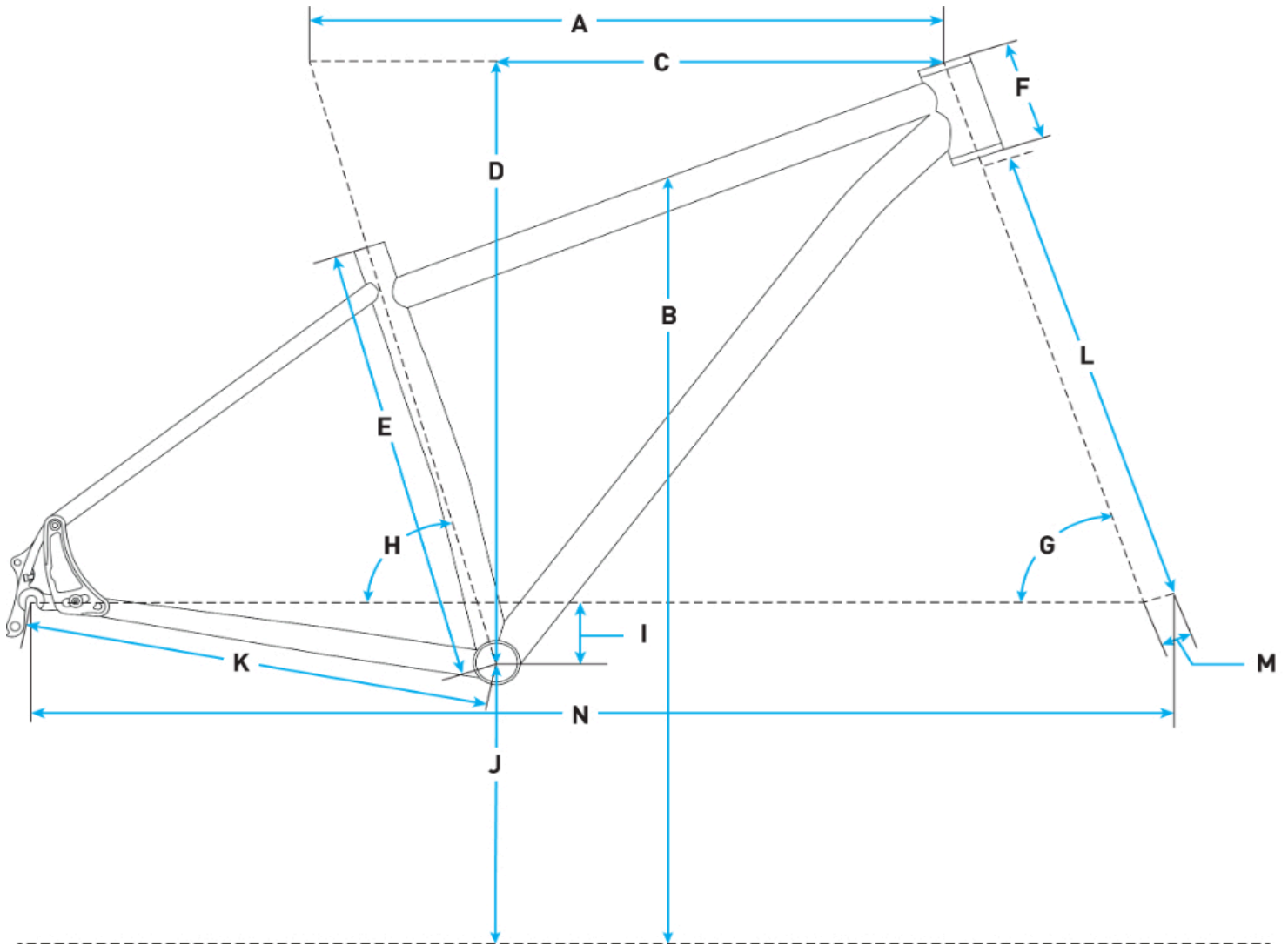


# 2026 Salsa Timberjack Frame - Black - Geometrical Chart



## Metric

Size	X-Small	Small	Medium	Large	X-Large
<b>A. Effective Top Tube</b>	570.0	594.1	615.3	639.0	659.3
<b>B. Stand Over</b>	702.9	722.6	742.1	772.1	792.9
<b>C. Reach</b>	410.7	433.6	453.6	475.5	492.6
<b>D. Stack</b>	599.0	599.0	607.4	613.5	625.5
<b>E. Total Seat Tube Length</b>	342.9	370.0	395.0	432.0	457.2
<b>F. Headtube Length</b>	100.0	100.0	105.0	115.0	125.0
<b>G. Headtube Angle</b>	66.4	66.4	66.4	66.4	66.4
<b>H. Seat Tube Angle</b>	75.1	75.1	75.1	75.1	75.1
<b>I. BB Drop</b>	56.6	56.6	56.6	56.6	56.6
<b>K. Chainstay Length</b>	420.0	420.0	420.0	420.0	420.0
<b>L. Fork Length Axle to Crown</b>	543.0	543.0	543.0	543.0	543.0
<b>M. Fork Offset</b>	44.0	44.0	44.0	44.0	44.0
<b>N. Wheelbase</b>	1120.0	1142.5	1164.5	1180.5	1211.7

<b>Crank Arm Length</b>					
<b>Handlebar Width</b>					
<b>Recommended Rider Height</b>	157.0 - 163.0	160.0 - 175.0	173.0 - 183.0	180.0 - 191.0	188.0
<b>Stem Length</b>					

## Imperial

Size	X-Small	Small	Medium	Large	X-Large
<b>A. Effective Top Tube</b>	22.44	23.39	24.22	25.16	25.96
<b>B. Stand Over</b>	27.67	28.45	29.22	30.4	31.22
<b>C. Reach</b>	16.17	17.07	17.86	18.72	19.39
<b>D. Stack</b>	23.58	23.58	23.91	24.15	24.63
<b>E. Total Seat Tube Length</b>	13.5	14.57	15.55	17.01	18
<b>F. Headtube Length</b>	3.94	3.94	4.13	4.53	4.92
<b>G. Headtube Angle</b>	66.4	66.4	66.4	66.4	66.4
<b>H. Seat Tube Angle</b>	75.1	75.1	75.1	75.1	75.1
<b>I. BB Drop</b>	2.23	2.23	2.23	2.23	2.23
<b>K. Chainstay Length</b>	16.54	16.54	16.54	16.54	16.54
<b>L. Fork Length Axle to Crown</b>	21.38	21.38	21.38	21.38	21.38
<b>M. Fork Offset</b>	1.73	1.73	1.73	1.73	1.73
<b>N. Wheelbase</b>	44.09	44.98	45.85	46.48	47.7
<b>Crank Arm Length</b>					
<b>Handlebar Width</b>					
<b>Recommended Rider Height</b>	61.81 - 64.17	62.99 - 68.9	68.11 - 72.05	70.87 - 75.2	74.02
<b>Stem Length</b>					

## Measurements based on:

- an 510.5mm fork which is equivalent to an average 543mm length 29" 130mm suspension fork at 25% sag
- a 27.5 x 2.8" tire measuring 724.5mm in diameter
- Standover is measured vertically to top of top tube from a position 50mm forward of BB center with an unsagged suspension fork
- Wheelbase at 420mm chainstay length