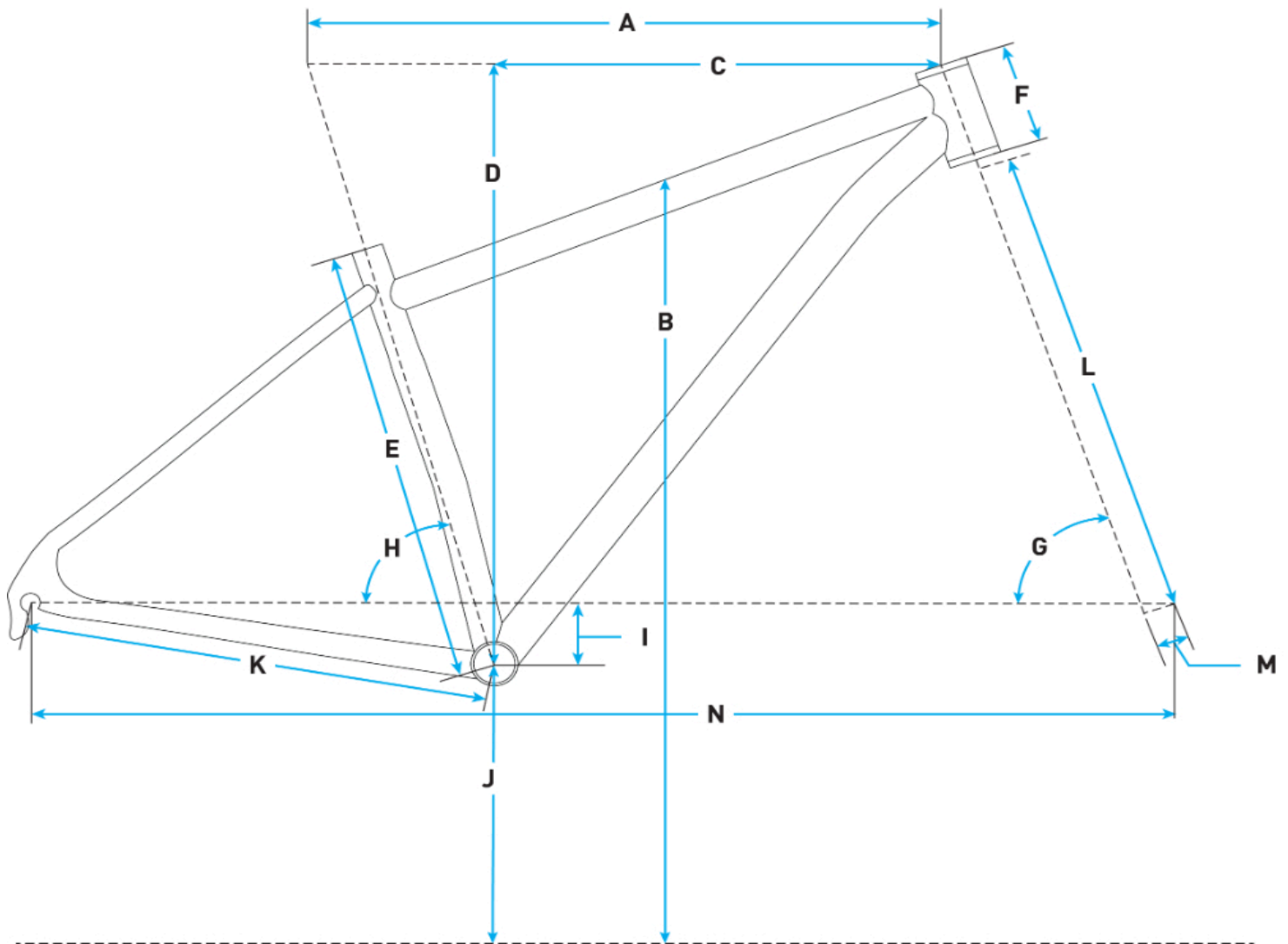


# 2026 Salsa Tributary C GRX 820 - Dark Pine/Terra Orange - Geometrical Chart



## Metric

Size	X-Small	Small	Medium	Large	X-Large
<b>A. Effective Top Tube</b>	535.0	560.0	585.0	610.0	635.0
<b>B. Stand Over</b>	725.1	729.7	775.0	808.9	827.4
<b>C. Reach</b>	373.7	398.7	417.6	437.6	457.7
<b>D. Stack</b>	601.8	601.8	624.8	643.2	661.7
<b>E. Total Seat Tube Length</b>	380.0	405.0	460.0	500.0	520.0
<b>F. Headtube Length</b>	100.0	100.0	125.0	145.0	165.0
<b>G. Headtube Angle</b>	67.0	67.0	67.0	67.0	67.0
<b>H. Seat Tube Angle</b>	75.0	75.0	75.0	75.0	75.0
<b>I. BB Drop</b>	70.0	70.0	70.0	70.0	70.0
<b>J. BB Height</b>	303.0	303.0	303.0	303.0	303.0
<b>K. Chainstay Length</b>	445.0	445.0	445.0	445.0	445.0

<b>L. Fork Length Axle to Crown</b>	498.4	498.4	498.4	498.4	498.4
<b>M. Fork Offset</b>	51.0	51.0	51.0	51.0	51.0
<b>N. Wheelbase</b>	1094.4	1119.4	1148.0	1175.8	1203.7
<b>Crank Arm Length</b>	165.0	165.0	170.0	170.0	170.0
<b>Handlebar Width</b>	44.0	46.0	48.0	50.0	52.0
<b>Recommended Rider Height</b>	155.0 - 163.0	163.0 - 170.0	170.0 - 178.0	178.0 - 185.0	185.0 - 193.0
<b>Stem Length</b>	50.0	50.0	50.0	50.0	50.0

## Imperial

Size	X-Small	Small	Medium	Large	X-Large
<b>A. Effective Top Tube</b>	21.06	22.05	23.03	24.02	25
<b>B. Stand Over</b>	28.55	28.73	30.51	31.85	32.57
<b>C. Reach</b>	14.71	15.7	16.44	17.23	18.02
<b>D. Stack</b>	23.69	23.69	24.6	25.32	26.05
<b>E. Total Seat Tube Length</b>	14.96	15.94	18.11	19.69	20.47
<b>F. Headtube Length</b>	3.94	3.94	4.92	5.71	6.5
<b>G. Headtube Angle</b>	67.0	67.0	67.0	67.0	67.0
<b>H. Seat Tube Angle</b>	75.0	75.0	75.0	75.0	75.0
<b>I. BB Drop</b>	2.76	2.76	2.76	2.76	2.76
<b>J. BB Height</b>	11.93	11.93	11.93	11.93	11.93
<b>K. Chainstay Length</b>	17.52	17.52	17.52	17.52	17.52
<b>L. Fork Length Axle to Crown</b>	19.62	19.62	19.62	19.62	19.62
<b>M. Fork Offset</b>	2.01	2.01	2.01	2.01	2.01
<b>N. Wheelbase</b>	43.09	44.07	45.2	46.29	47.39
<b>Crank Arm Length</b>	6.5	6.5	6.69	6.69	6.69
<b>Handlebar Width</b>	173.23	181.1	188.98	196.85	204.72
<b>Recommended Rider Height</b>	61.02 - 64.17	64.17 - 66.93	66.93 - 70.08	70.08 - 72.83	72.83 - 75.98
<b>Stem Length</b>	1.97	1.97	1.97	1.97	1.97

## Measurements based on:

- An unsprung bike (no sag)
- A 29 x 2.3" tire measuring 747 mm in diameter
- Standover (B) for all sizes is measured vertically to top of toptube from a position