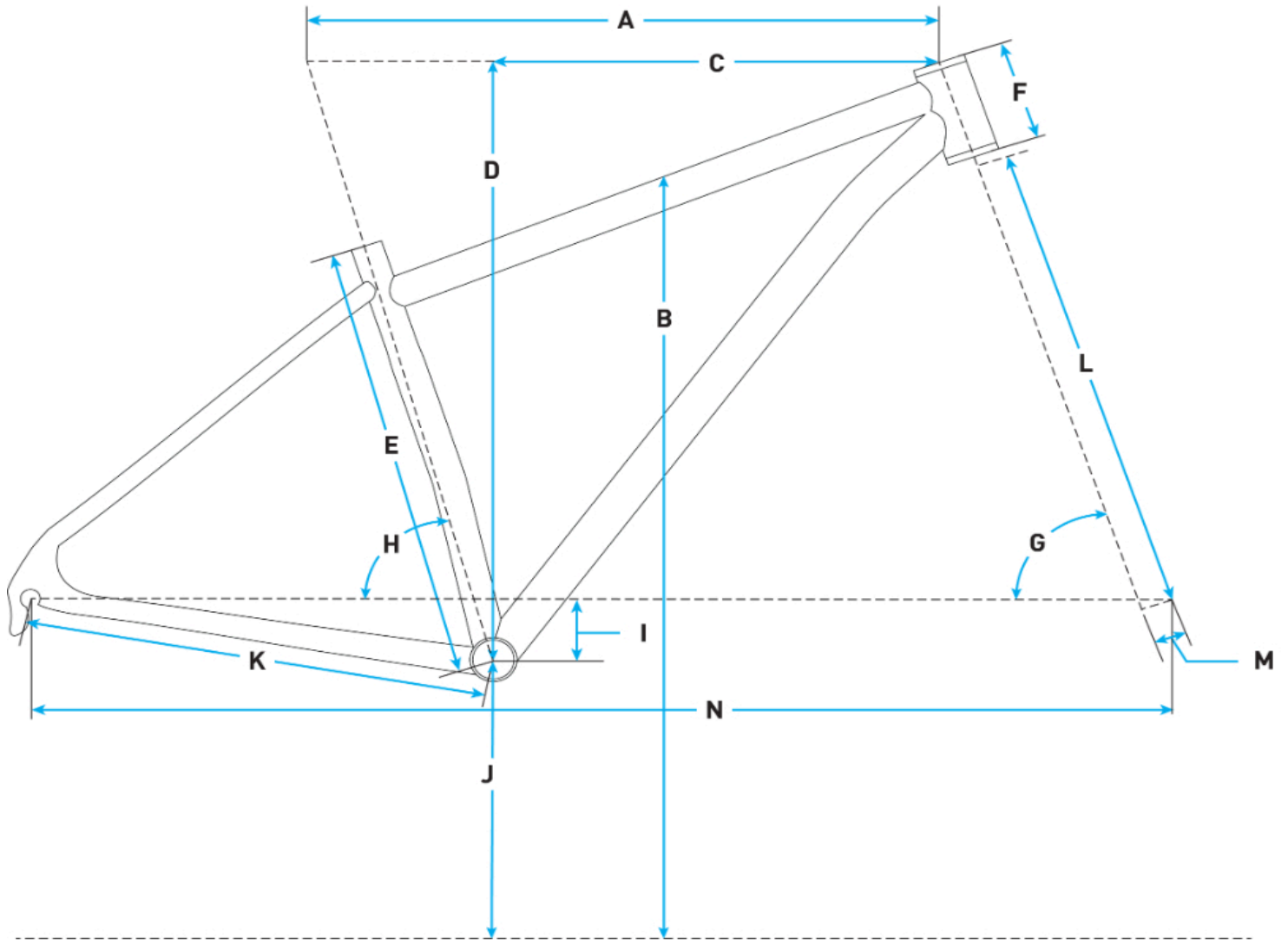


2026 Salsa Tributary GRX 600 - Teal - Geometrical Chart



Metric

| Size | X-Small | Small | Medium | Large | X-Large |
|-------------------------------------|---------|-------|--------|-------|---------|
| A. Effective Top Tube | 535.0 | 560.0 | 585.0 | 610.0 | 635.0 |
| B. Stand Over | 725.4 | 737.6 | 776.6 | 808.8 | 814.6 |
| C. Reach | 373.7 | 398.7 | 417.6 | 437.6 | 457.7 |
| D. Stack | 601.8 | 601.8 | 624.8 | 643.2 | 661.7 |
| E. Total Seat Tube Length | 380.0 | 405.0 | 460.0 | 500.0 | 520.0 |
| F. Headtube Length | 100.0 | 100.0 | 125.0 | 145.0 | 165.0 |
| G. Headtube Angle | 67.0 | 67.0 | 67.0 | 67.0 | 67.0 |
| H. Seat Tube Angle | 75.0 | 75.0 | 75.0 | 75.0 | 75.0 |
| I. BB Drop | 70.0 | 70.0 | 70.0 | 70.0 | 70.0 |
| J. BB Height | 303.5 | 303.5 | 303.5 | 303.5 | 303.5 |
| K. Chainstay Length | 445.0 | 445.0 | 445.0 | 445.0 | 445.0 |
| L. Fork Length Axle to Crown | 498.4 | 498.4 | 498.4 | 498.4 | 498.4 |
| M. Fork Offset | 51.0 | 51.0 | 51.0 | 51.0 | 51.0 |

| | | | | | |
|---------------------------------|---------------|---------------|---------------|---------------|--------|
| N. Wheelbase | 1094.0 | 1119.0 | 1148.0 | 1176.0 | 1204.0 |
| Crank Arm Length | 165.0 | 165.0 | 170.0 | 170.0 | 170.0 |
| Handlebar Width | 440.0 | 460.0 | 480.0 | 500.0 | 520.0 |
| Recommended Rider Height | 155.0 - 163.0 | 163.0 - 170.0 | 170.0 - 178.0 | 178.0 - 185.0 | 185.0 |
| Stem Length | 50.0 | 50.0 | 50.0 | 50.0 | 50.0 |

Imperial

| Size | X-Small | Small | Medium | Large | X-Large |
|-------------------------------------|----------------|---------------|---------------|---------------|----------------|
| A. Effective Top Tube | 21.06 | 22.05 | 23.03 | 24.02 | 25 |
| B. Stand Over | 28.56 | 29.04 | 30.57 | 31.84 | 32.07 |
| C. Reach | 14.71 | 15.7 | 16.44 | 17.23 | 18.02 |
| D. Stack | 23.69 | 23.69 | 24.6 | 25.32 | 26.05 |
| E. Total Seat Tube Length | 14.96 | 15.94 | 18.11 | 19.69 | 20.47 |
| F. Headtube Length | 3.94 | 3.94 | 4.92 | 5.71 | 6.5 |
| G. Headtube Angle | 67.0 | 67.0 | 67.0 | 67.0 | 67.0 |
| H. Seat Tube Angle | 75.0 | 75.0 | 75.0 | 75.0 | 75.0 |
| I. BB Drop | 2.76 | 2.76 | 2.76 | 2.76 | 2.76 |
| J. BB Height | 11.95 | 11.95 | 11.95 | 11.95 | 11.95 |
| K. Chainstay Length | 17.52 | 17.52 | 17.52 | 17.52 | 17.52 |
| L. Fork Length Axle to Crown | 19.62 | 19.62 | 19.62 | 19.62 | 19.62 |
| M. Fork Offset | 2.01 | 2.01 | 2.01 | 2.01 | 2.01 |
| N. Wheelbase | 43.07 | 44.06 | 45.2 | 46.3 | 47.4 |
| Crank Arm Length | 6.5 | 6.5 | 6.69 | 6.69 | 6.69 |
| Handlebar Width | 440.0 | 460.0 | 480.0 | 500.0 | 520.0 |
| Recommended Rider Height | 61.02 - 64.17 | 64.17 - 66.93 | 66.93 - 70.08 | 70.08 - 72.83 | 72.83 |
| Stem Length | 1.97 | 1.97 | 1.97 | 1.97 | 1.97 |

Measurements based on:

- An unsprung bike (no sag)
- A 29 x 2.3" tire measuring 747 mm in diameter
- Standover (B) for all sizes is measured vertically to top of toptube from a position