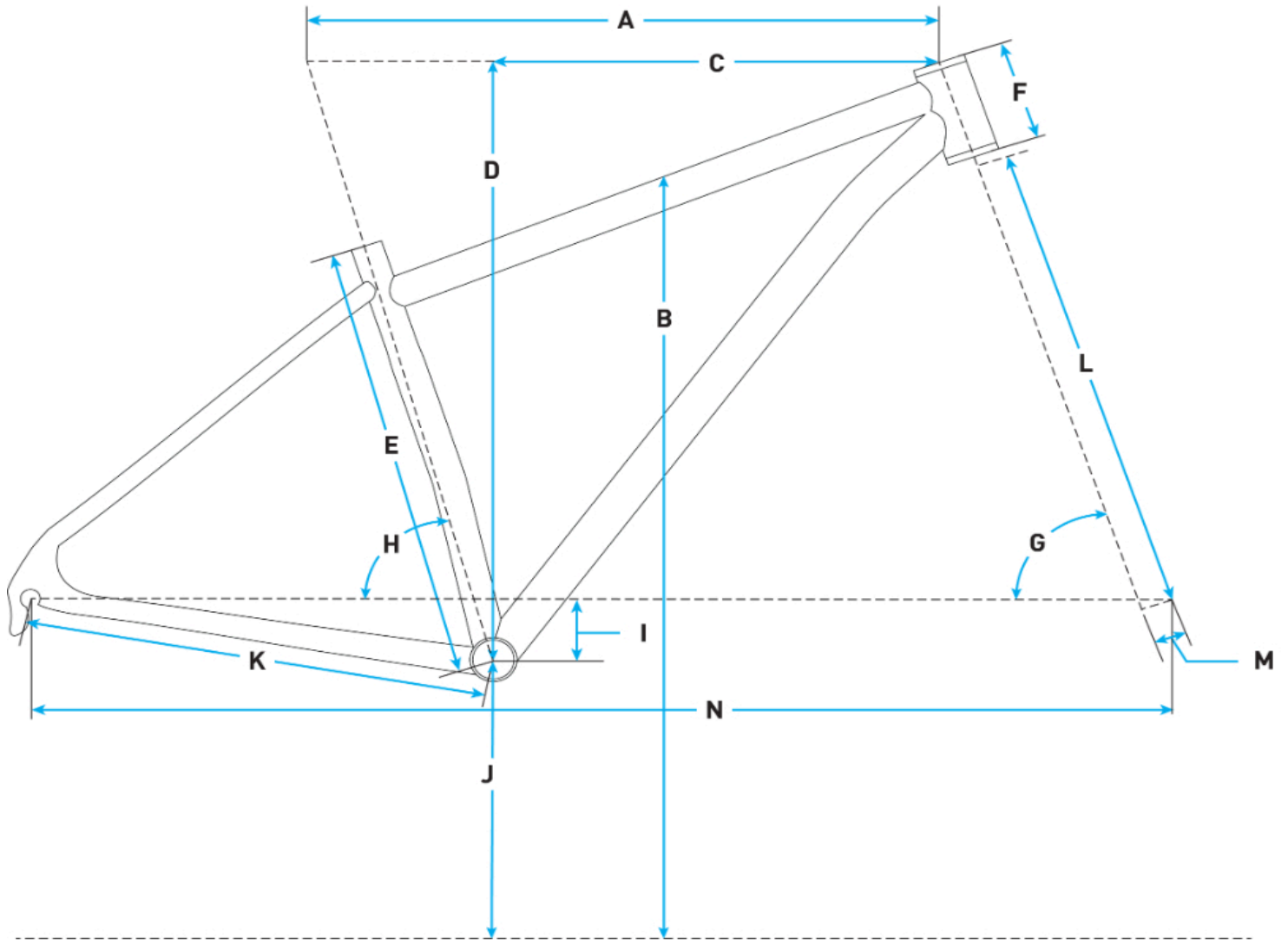


2026 Salsa Vaya Frameset - Black - Geometrical Chart



Metric

Size	49.5cm	52cm	54cm	55cm	57cm	59.5cm
A. Effective Top Tube	495.0	520.0	540.0	550.0	570.0	595.0
B. Stand Over	660.1	713.7	742.0	776.3	795.6	821.0
C. Reach	354.6	368.2	365.2	363.8	372.0	384.8
D. Stack	542.7	547.4	590.1	609.1	628.0	647.0
E. Total Seat Tube Length	380.0	450.0	470.0	510.0	530.0	560.0
F. Headtube Length	100.0	100.0	145.0	165.0	185.0	205.0
G. Headtube Angle	70.25	71.5	71.5	71.5	71.5	71.5
H. Seat Tube Angle	75.5	74.5	73.5	73.0	72.5	72.0
I. BB Drop	75.0	75.0	75.0	75.0	75.0	75.0
K. Chainstay Length	450.0	450.0	450.0	450.0	450.0	450.0
L. Fork Length Axle to Crown	405.0	405.0	405.0	405.0	405.0	405.0
M. Fork Offset	50.0	50.0	50.0	50.0	50.0	50.0
N. Wheelbase	1019.4	1022.7	1034.0	1038.9	1053.5	1072.6

Crank Arm Length						
Handlebar Width						
Recommended Rider Height	147.0 - 157.0	156.0 - 166.0	164.0 - 174.0	169.0 - 179.0	177.0 - 187.0	185.0
Stem Length						

Imperial

Size	49.5cm	52cm	54cm	55cm	57cm	59.5cm
A. Effective Top Tube	19.49	20.47	21.26	21.65	22.44	23.43
B. Stand Over	25.99	28.1	29.21	30.56	31.32	32.32
C. Reach	13.96	14.5	14.38	14.32	14.65	15.15
D. Stack	21.37	21.55	23.23	23.98	24.72	25.47
E. Total Seat Tube Length	14.96	17.72	18.5	20.08	20.87	22.05
F. Headtube Length	3.94	3.94	5.71	6.5	7.28	8.07
G. Headtube Angle	70.25	71.5	71.5	71.5	71.5	71.5
H. Seat Tube Angle	75.5	74.5	73.5	73.0	72.5	72.0
I. BB Drop	2.95	2.95	2.95	2.95	2.95	2.95
K. Chainstay Length	17.72	17.72	17.72	17.72	17.72	17.72
L. Fork Length Axle to Crown	15.94	15.94	15.94	15.94	15.94	15.94
M. Fork Offset	1.97	1.97	1.97	1.97	1.97	1.97
N. Wheelbase	40.13	40.26	40.71	40.9	41.48	42.23
Crank Arm Length						
Handlebar Width						
Recommended Rider Height	57.87 - 61.81	61.42 - 65.35	64.57 - 68.5	66.54 - 70.47	69.69 - 73.62	72.83
Stem Length						

Measurements based on:

- A 700 x 41mm tire measuring 709mm in diameter
- Standover (P) for all sizes is measured vertically to top of toptube from a position 50mm forward of BB center