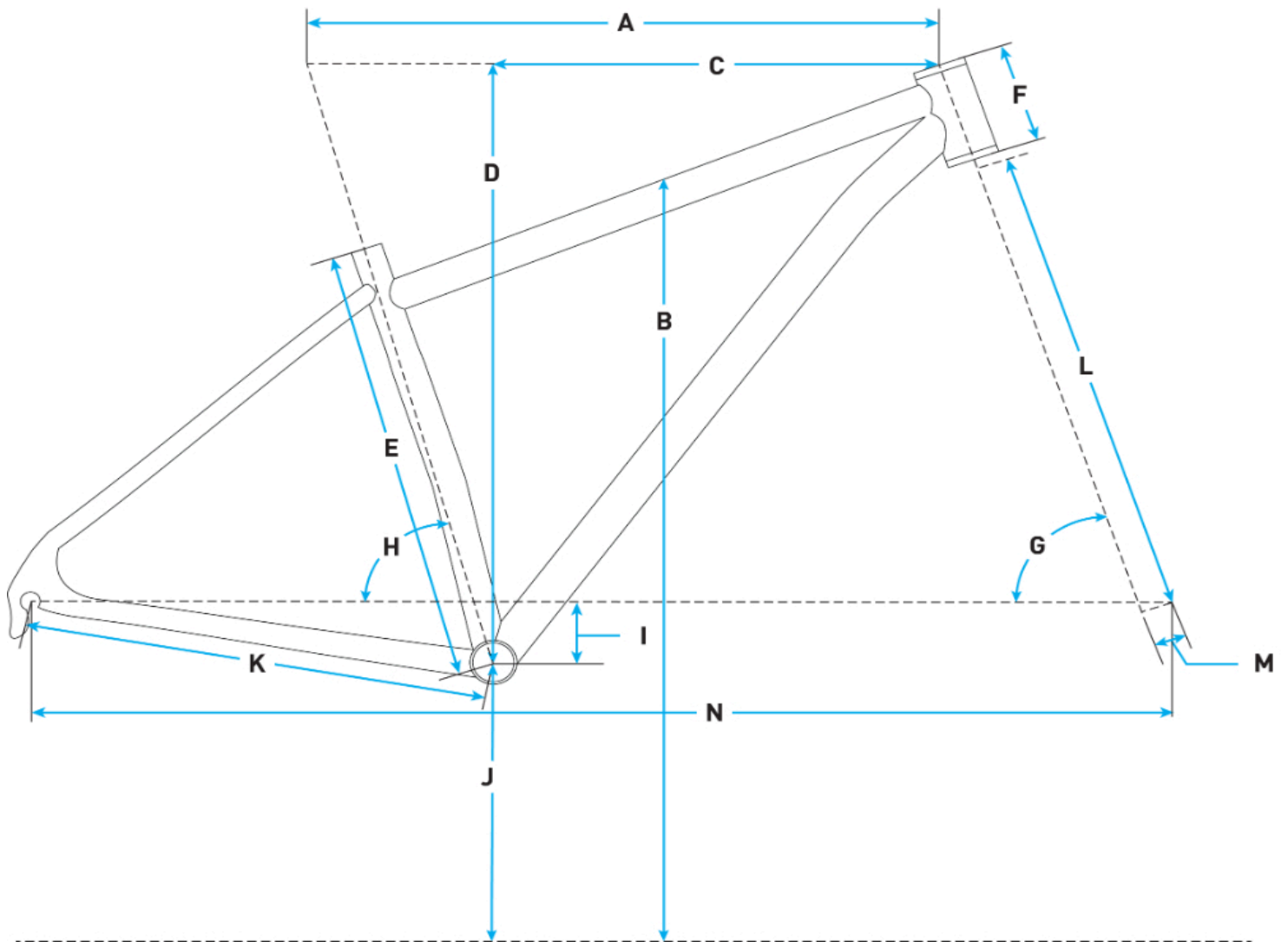


# 2026 Salsa Vaya GRX 600 - Black - Geometrical Chart



## Metric

Size	49.5cm	52cm	54cm	55cm	57cm	59.5cm
<b>A. Effective Top Tube</b>	495.0	520.0	540.0	550.0	570.0	595.0
<b>B. Stand Over</b>	660.1	713.7	742.0	776.3	795.6	821.0
<b>C. Reach</b>	354.6	368.2	365.2	363.8	372.0	384.8
<b>D. Stack</b>	542.7	547.4	590.1	609.1	628.0	647.0
<b>E. Total Seat Tube Length</b>	380.0	450.0	470.0	510.0	530.0	560.0
<b>F. Headtube Length</b>	100.0	100.0	145.0	165.0	185.0	205.0
<b>G. Headtube Angle</b>	70.25	71.5	71.5	71.5	71.5	71.5
<b>H. Seat Tube Angle</b>	75.5	74.5	73.5	73.0	72.5	72.0
<b>I. BB Drop</b>	75.0	75.0	75.0	75.0	75.0	75.0
<b>K. Chainstay Length</b>	450.0	450.0	450.0	450.0	450.0	450.0
<b>L. Fork Length Axle to Crown</b>	405.0	405.0	405.0	405.0	405.0	405.0
<b>M. Fork Offset</b>	50.0	50.0	50.0	50.0	50.0	50.0
<b>N. Wheelbase</b>	1019.4	1022.7	1034.0	1038.9	1053.5	1072.6

<b>Crank Arm Length</b>	170.0	170.0	172.0	172.5	175.0	175.0
<b>Handlebar Width</b>	38.0	40.0	42.0	44.0	44.0	46.0
<b>Recommended Rider Height</b>	147.0 - 157.0	156.0 - 166.0	164.0 - 174.0	169.0 - 179.0	177.0 - 187.0	185.0
<b>Stem Length</b>	60.0	70.0	80.0	80.0	90.0	100.0

## Imperial

Size	49.5cm	52cm	54cm	55cm	57cm	59.5cm
<b>A. Effective Top Tube</b>	19.49	20.47	21.26	21.65	22.44	23.43
<b>B. Stand Over</b>	25.99	28.1	29.21	30.56	31.32	32.32
<b>C. Reach</b>	13.96	14.5	14.38	14.32	14.65	15.15
<b>D. Stack</b>	21.37	21.55	23.23	23.98	24.72	25.47
<b>E. Total Seat Tube Length</b>	14.96	17.72	18.5	20.08	20.87	22.05
<b>F. Headtube Length</b>	3.94	3.94	5.71	6.5	7.28	8.07
<b>G. Headtube Angle</b>	70.25	71.5	71.5	71.5	71.5	71.5
<b>H. Seat Tube Angle</b>	75.5	74.5	73.5	73.0	72.5	72.0
<b>I. BB Drop</b>	2.95	2.95	2.95	2.95	2.95	2.95
<b>K. Chainstay Length</b>	17.72	17.72	17.72	17.72	17.72	17.72
<b>L. Fork Length Axle to Crown</b>	15.94	15.94	15.94	15.94	15.94	15.94
<b>M. Fork Offset</b>	1.97	1.97	1.97	1.97	1.97	1.97
<b>N. Wheelbase</b>	40.13	40.26	40.71	40.9	41.48	42.23
<b>Crank Arm Length</b>	6.69	6.69	6.77	6.79	6.89	6.89
<b>Handlebar Width</b>	149.61	157.48	165.35	173.23	173.23	181.1
<b>Recommended Rider Height</b>	57.87 - 61.81	61.42 - 65.35	64.57 - 68.5	66.54 - 70.47	69.69 - 73.62	72.83
<b>Stem Length</b>	2.36	2.76	3.15	3.15	3.54	3.94

## Measurements based on:

- A 700 x 41mm tire measuring 709mm in diameter
- Standover (P) for all sizes is measured vertically to top of toptube from a position 50mm forward of BB center