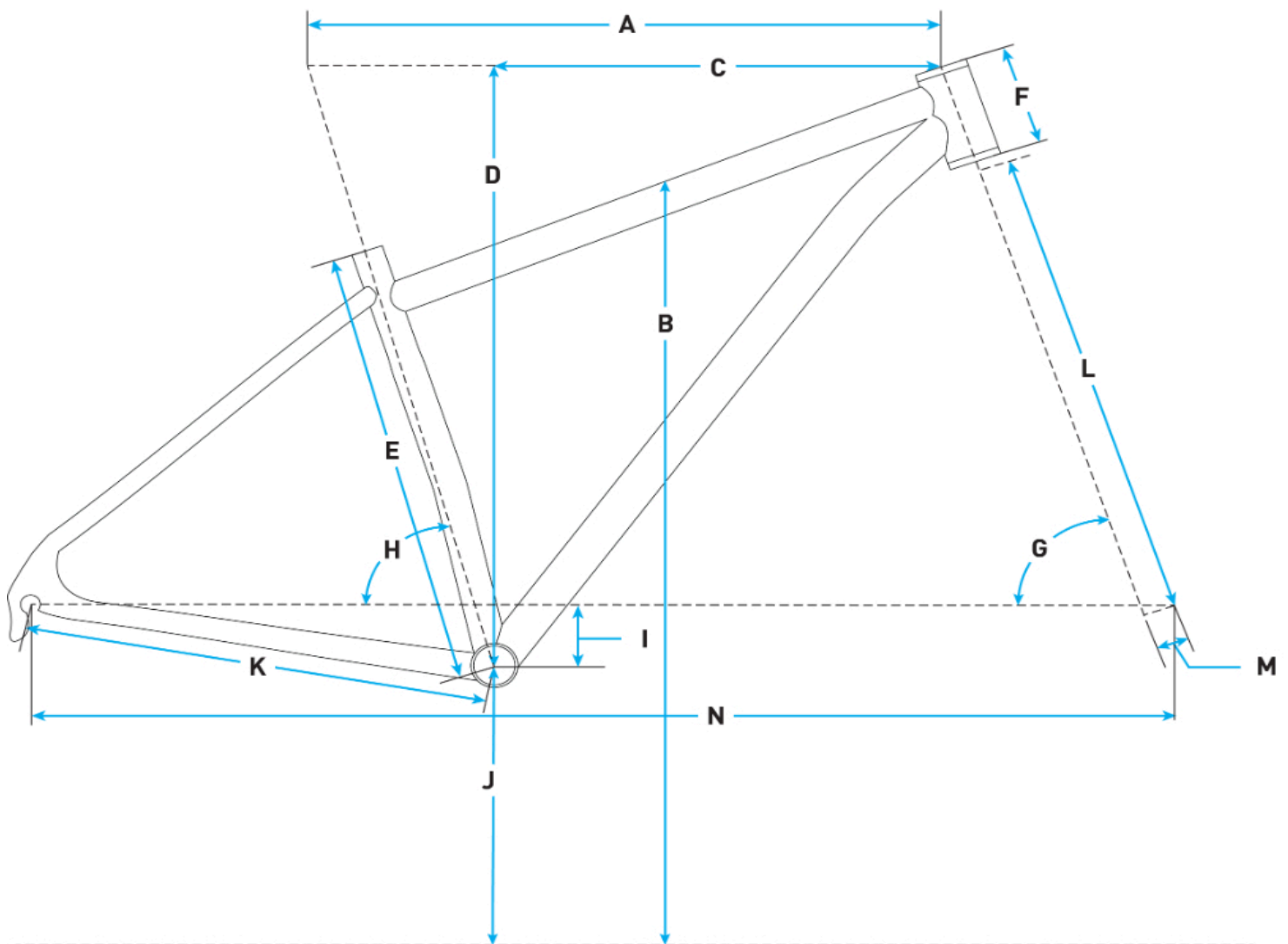


# 2026 Salsa Wanderosa C Force X0 AXS Transmission - Coral - Geometrical Chart



## Metric

Size	X-Small	Small	Medium	Large	X-Large
<b>A. Effective Top Tube</b>	538.2	563.3	588.4	613.4	638.5
<b>B. Stand Over</b>	725.6	749.2	776.3	803.1	829.7
<b>C. Reach</b>	380.3	404.1	424.4	444.6	464.9
<b>D. Stack</b>	595.4	599.9	618.1	636.3	654.5
<b>E. Total Seat Tube Length</b>	430.0	460.0	490.0	520.0	550.0
<b>F. Headtube Length</b>	100.0	105.0	125.0	145.0	165.0
<b>G. Headtube Angle</b>	65.3	65.3	65.3	65.3	65.3
<b>H. Seat Tube Angle</b>	75.1	75.1	75.1	75.1	75.1
<b>I. BB Drop</b>	37.6	37.6	37.6	37.6	37.6
<b>J. BB Height</b>	332.4	332.4	332.4	332.4	332.4
<b>K. Chainstay Length</b>	440.6	440.6	440.6	440.6	440.6

<b>L. Fork Length Axle to Crown</b>	531.0	531.0	531.0	531.0	531.0
<b>M. Fork Offset</b>	44.0	44.0	44.0	44.0	44.0
<b>N. Wheelbase</b>	1123.7	1149.7	1178.3	1206.8	1235.5
<b>Crank Arm Length</b>	160.0	165.0	165.0	170.0	170.0
<b>Handlebar Width</b>	44.0	46.0	48.0	50.0	52.0
<b>Recommended Rider Height</b>	147.0 - 160.0	157.0 - 170.0	168.0 - 180.0	178.0 - 191.0	188.0 - 201.0
<b>Stem Length</b>	35.0	35.0	45.0	45.0	45.0

## Imperial

Size	X-Small	Small	Medium	Large	X-Large
<b>A. Effective Top Tube</b>	21.19	22.18	23.17	24.15	25.14
<b>B. Stand Over</b>	28.57	29.5	30.56	31.62	32.67
<b>C. Reach</b>	14.97	15.91	16.71	17.5	18.3
<b>D. Stack</b>	23.44	23.62	24.33	25.05	25.77
<b>E. Total Seat Tube Length</b>	16.93	18.11	19.29	20.47	21.65
<b>F. Headtube Length</b>	3.94	4.13	4.92	5.71	6.5
<b>G. Headtube Angle</b>	65.3	65.3	65.3	65.3	65.3
<b>H. Seat Tube Angle</b>	75.1	75.1	75.1	75.1	75.1
<b>I. BB Drop</b>	1.48	1.48	1.48	1.48	1.48
<b>J. BB Height</b>	13.09	13.09	13.09	13.09	13.09
<b>K. Chainstay Length</b>	17.35	17.35	17.35	17.35	17.35
<b>L. Fork Length Axle to Crown</b>	20.91	20.91	20.91	20.91	20.91
<b>M. Fork Offset</b>	1.73	1.73	1.73	1.73	1.73
<b>N. Wheelbase</b>	44.24	45.26	46.39	47.51	48.64
<b>Crank Arm Length</b>	6.3	6.5	6.5	6.69	6.69
<b>Handlebar Width</b>	173.23	181.1	188.98	196.85	204.72
<b>Recommended Rider Height</b>	57.87 - 62.99	61.81 - 66.93	66.14 - 70.87	70.08 - 75.2	74.02 - 79.13
<b>Stem Length</b>	1.38	1.38	1.77	1.77	1.77

## Measurements based on:

- An unsprung bike (no sag)
- A 29 x 2.2" tire measuring 740 mm in diameter
- Standover (D) for all sizes is measured vertically to top of toptube from a position 50mm forward of BB center