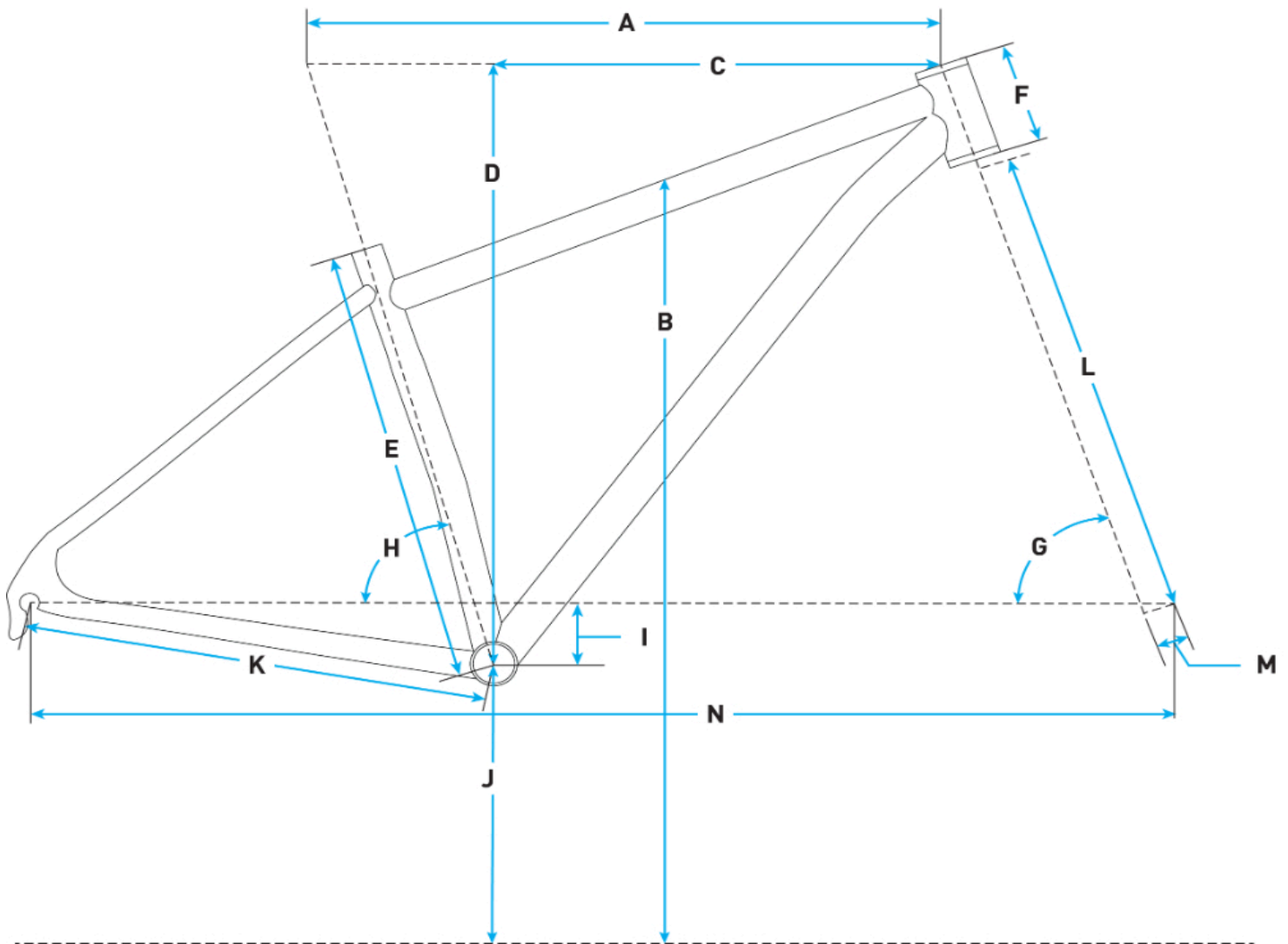


2026 Salsa Wanderosa C Rival GX AXS Transmission - Charcoal - Geometrical Chart



Metric

Size	X-Small	Small	Medium	Large	X-Large
A. Effective Top Tube	538.2	563.3	588.4	613.4	638.5
B. Stand Over	725.6	749.2	776.3	803.1	829.7
C. Reach	380.3	404.1	424.4	444.6	464.9
D. Stack	595.4	599.9	618.1	636.3	654.5
E. Total Seat Tube Length	430.0	460.0	490.0	520.0	550.0
F. Headtube Length	100.0	105.0	125.0	145.0	165.0
G. Headtube Angle	65.3	65.3	65.3	65.3	65.3
H. Seat Tube Angle	75.1	75.1	75.1	75.1	75.1
I. BB Drop	37.6	37.6	37.6	37.6	37.6
J. BB Height	332.4	332.4	332.4	332.4	332.4
K. Chainstay Length	440.6	440.6	440.6	440.6	440.6

L. Fork Length Axle to Crown	531.0	531.0	531.0	531.0	531.0
M. Fork Offset	44.0	44.0	44.0	44.0	44.0
N. Wheelbase	1123.7	1149.7	1178.3	1206.8	1235.5
Crank Arm Length	160.0	165.0	165.0	170.0	170.0
Handlebar Width	44.0	46.0	48.0	50.0	52.0
Recommended Rider Height	147.0 - 160.0	157.0 - 170.0	168.0 - 180.0	178.0 - 191.0	188.0 - 201.0
Stem Length	35.0	35.0	45.0	45.0	45.0

Imperial

Size	X-Small	Small	Medium	Large	X-Large
A. Effective Top Tube	21.19	22.18	23.17	24.15	25.14
B. Stand Over	28.57	29.5	30.56	31.62	32.67
C. Reach	14.97	15.91	16.71	17.5	18.3
D. Stack	23.44	23.62	24.33	25.05	25.77
E. Total Seat Tube Length	16.93	18.11	19.29	20.47	21.65
F. Headtube Length	3.94	4.13	4.92	5.71	6.5
G. Headtube Angle	65.3	65.3	65.3	65.3	65.3
H. Seat Tube Angle	75.1	75.1	75.1	75.1	75.1
I. BB Drop	1.48	1.48	1.48	1.48	1.48
J. BB Height	13.09	13.09	13.09	13.09	13.09
K. Chainstay Length	17.35	17.35	17.35	17.35	17.35
L. Fork Length Axle to Crown	20.91	20.91	20.91	20.91	20.91
M. Fork Offset	1.73	1.73	1.73	1.73	1.73
N. Wheelbase	44.24	45.26	46.39	47.51	48.64
Crank Arm Length	6.3	6.5	6.5	6.69	6.69
Handlebar Width	173.23	181.1	188.98	196.85	204.72
Recommended Rider Height	57.87 - 62.99	61.81 - 66.93	66.14 - 70.87	70.08 - 75.2	74.02 - 79.13
Stem Length	1.38	1.38	1.77	1.77	1.77

Measurements based on:

- An unsprung bike (no sag)
- A 29 x 2.2" tire measuring 740 mm in diameter
- Standover (D) for all sizes is measured vertically to top of toptube from a position 50mm forward of BB center