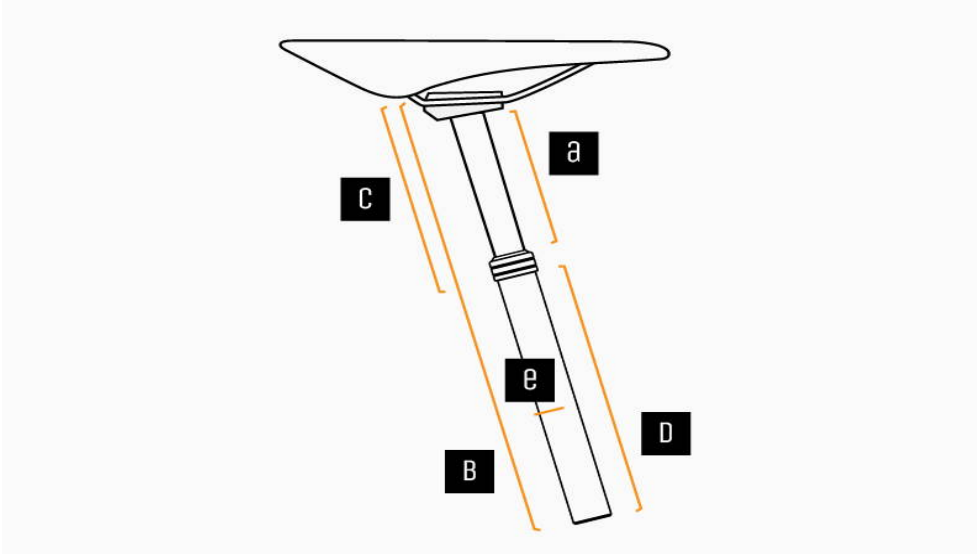


Measurements



A Travel	B Total Length	C Seat Collar to Center of Rails	D Full Insertion Length	E Min. Insertion Length
125	402	185	205	90
150	450	205	245	110
170	490	225	265	130