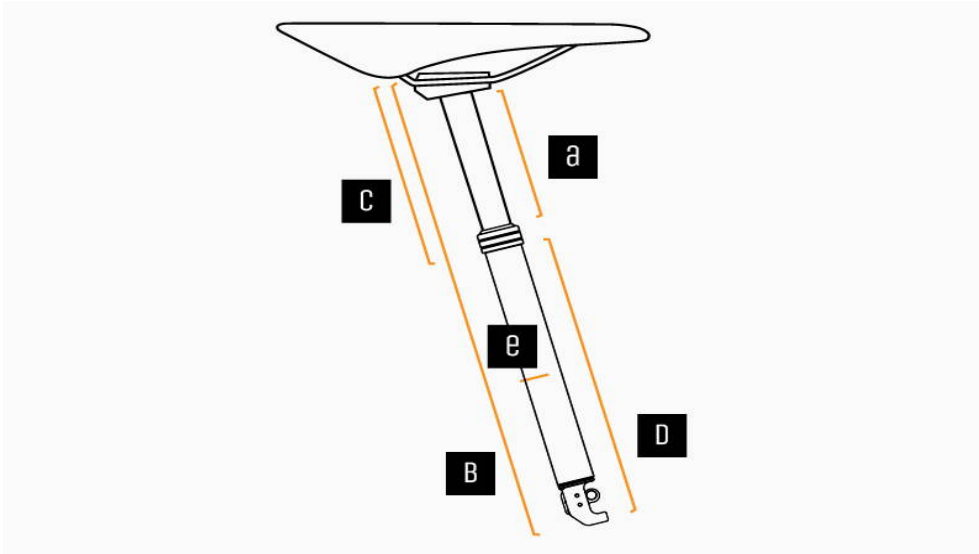


## Measurements



A Travel	B Total Length	C Seat Collar to Center of Rails	D Full Insertion Length	E Min. Insertion Length
125	405	170	235	125