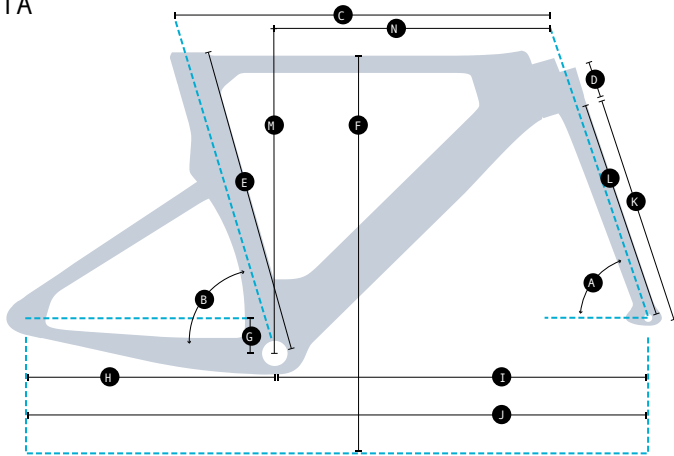


TA



TA (1.0)	Custom Fit cm
(A) HEAD TUBE ANGLE	73
(B) SEAT TUBE ANGLE	74
(C) TOP TUBE LENGTH (EFFECTIVE)	547
(D) HEAD TUBE LENGTH	64
(E) SEAT TUBE LENGTH (CENTER TO TOP)	-
(F) STAND OVER HEIGHT	-
(G) BOTTOM BRACKET DROP	55
(H) REAR CENTER	385
(I) FRONT CENTER	583
(J) WHEELBASE	961
(K) FORK LENGTH	-
(L) FORK OFFSET	40
(M) STACK	453
(N) REACH	417